

TRAFFIC DATA INC.

3268 Xenwood Ave S
St Louis Park, MN 55416

TH-13 at Lynn Ave SAVAGE
Ref.Pt.: 093.031
data by: Traffic Data Inc
TURN MOVEMENT COUNT

File Name : TH-13 at Lynn Ave 2009
Site Code : 1829116
Start Date : 4/30/2009
Page No : 1

Groups Printed- Unshifted

Start Time	Lynn Ave Southbound				TH-13 Westbound				Lynn Ave Northbound				TH-13 Eastbound				Int. Total
	Left	Thru	Right	Peds	Left	Thru	Right	Peds	Left	Thru	Right	Peds	Left	Thru	Right	Peds	
06:00	5	0	1	0	3	192	4	0	36	2	12	0	3	171	6	1	436
06:15	1	0	1	0	10	259	4	0	29	2	19	0	3	234	5	0	567
06:30	2	0	3	0	5	354	4	0	42	1	32	0	7	285	4	0	739
06:45	2	0	0	0	4	313	1	0	50	4	34	0	8	381	7	0	804
Total	10	0	5	0	22	1118	13	0	157	9	97	0	21	1071	22	1	2546
07:00	2	2	1	0	6	308	1	0	54	2	55	0	13	377	13	0	834
07:15	1	0	0	0	8	381	3	0	76	0	58	0	0	407	10	0	944
07:30	2	0	1	0	7	400	0	0	51	0	52	0	6	443	10	0	972
07:45	2	0	4	0	18	360	5	0	50	1	39	0	10	435	22	0	946
Total	7	2	6	0	39	1449	9	0	231	3	204	0	29	1662	55	0	3696
08:00	3	1	2	0	6	367	4	0	41	0	31	0	3	371	16	0	845
08:15	2	0	3	0	9	360	5	0	52	3	33	0	5	319	5	0	796
08:30	0	0	5	0	13	292	3	0	33	1	28	0	7	290	12	0	684
08:45	2	0	4	0	10	287	5	0	19	1	19	0	2	268	17	0	634
Total	7	1	14	0	38	1306	17	0	145	5	111	0	17	1248	50	0	2959
*** BREAK ***																	
11:00	2	1	6	0	16	226	4	0	15	0	12	0	6	228	16	0	532
11:15	2	1	4	0	16	274	4	0	18	1	11	0	2	264	11	0	608
11:30	4	4	2	0	23	254	3	0	37	1	11	0	4	220	12	0	575
11:45	6	1	4	0	18	268	2	0	17	0	13	0	5	314	17	0	665
Total	14	7	16	0	73	1022	13	0	87	2	47	0	17	1026	56	0	2380
12:00	9	3	5	0	24	246	4	0	28	1	16	0	4	241	18	0	599
12:15	4	1	4	0	17	288	3	0	18	4	14	0	2	307	16	0	678
12:30	5	0	3	0	18	255	4	0	37	2	18	0	2	301	21	0	666
12:45	4	0	7	0	29	276	3	0	13	4	23	0	6	308	18	0	691
Total	22	4	19	0	88	1065	14	0	96	11	71	0	14	1157	73	0	2634
*** BREAK ***																	
15:00	13	1	7	0	21	362	4	0	24	0	28	0	4	345	24	0	833
15:15	4	1	5	0	35	347	1	0	32	3	18	0	1	369	32	0	848
15:30	2	5	8	0	29	403	0	0	38	0	29	0	0	466	29	0	1009
15:45	3	1	5	0	30	428	2	0	26	1	26	0	113	358	29	0	1022
Total	22	8	25	0	115	1540	7	0	120	4	101	0	118	1538	114	0	3712
16:00	2	2	3	0	41	434	0	0	42	0	30	0	5	437	42	0	1038
16:15	2	3	5	0	32	425	0	0	43	1	27	3	2	502	31	0	1076
16:30	2	2	3	0	49	505	0	0	29	0	28	0	1	527	39	0	1185
16:45	5	1	7	0	72	498	1	0	34	1	28	0	0	514	48	0	1209
Total	11	8	18	0	194	1862	1	0	148	2	113	3	8	1980	160	0	4508
17:00	1	0	3	0	55	508	1	0	41	0	16	0	5	496	32	0	1158
17:15	2	4	3	0	51	551	1	0	30	1	22	0	0	502	47	1	1215
17:30	3	4	6	0	60	496	0	0	32	1	33	0	1	487	39	0	1162
17:45	3	0	1	0	44	477	0	0	35	0	19	0	1	408	45	0	1033
Total	9	8	13	0	210	2032	2	0	138	2	90	0	7	1893	163	1	4568
Grand Total	102	38	116	0	779	11394	76	0	1122	38	834	3	231	11575	693	2	27003
Apprch %	39.8	14.8	45.3	0	6.4	93	0.6	0	56.2	1.9	41.8	0.2	1.8	92.6	5.5	0	
Total %	0.4	0.1	0.4	0	2.9	42.2	0.3	0	4.2	0.1	3.1	0	0.9	42.9	2.6	0	

TRAFFIC DATA INC.

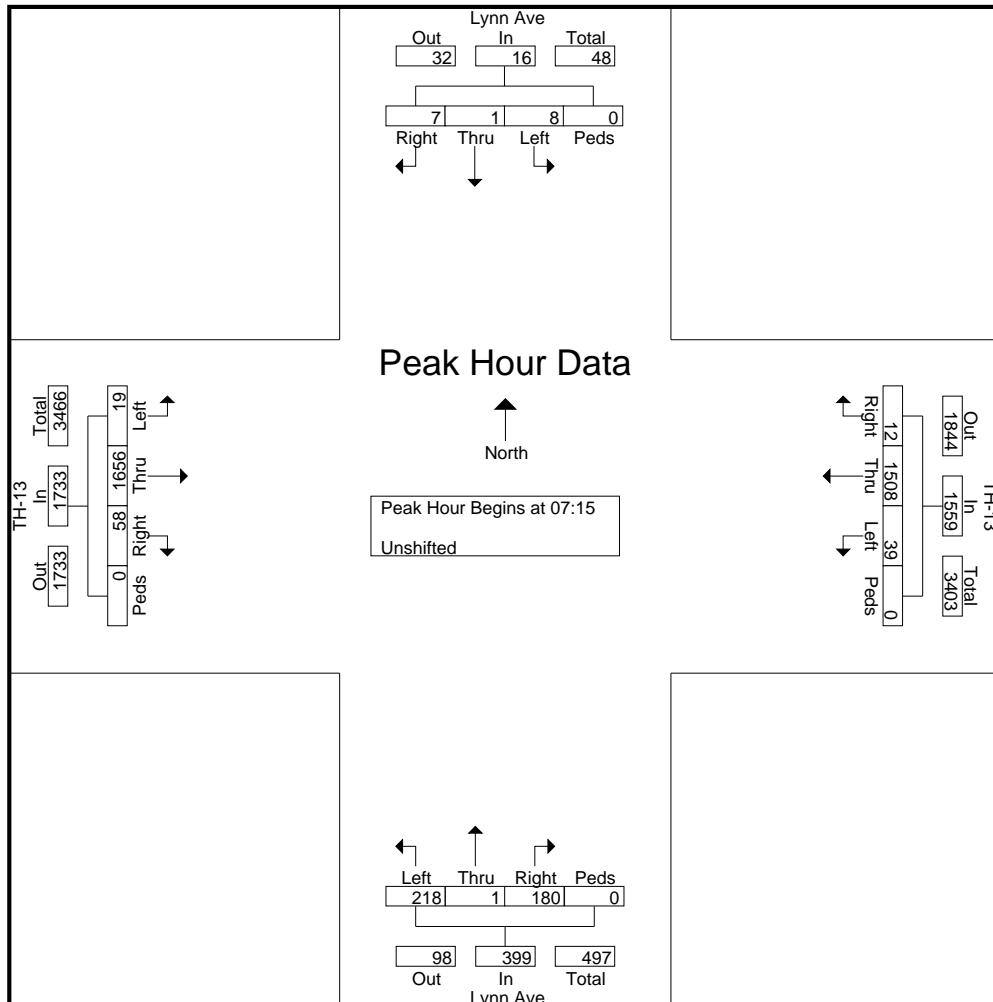
3268 Xenwood Ave S
St Louis Park, MN 55416

TH-13 at Lynn Ave SAVAGE
Ref.Pt.: 093.031
data by: Traffic Data Inc
TURN MOVEMENT COUNT

File Name : TH-13 at Lynn Ave 2009
Site Code : 1829116
Start Date : 4/30/2009
Page No : 2

Start Time	Lynn Ave Southbound					TH-13 Westbound					Lynn Ave Northbound					TH-13 Eastbound					Int. Total
	Left	Thru	Right	Peds	App. Total	Left	Thru	Right	Peds	App. Total	Left	Thru	Right	Peds	App. Total	Left	Thru	Right	Peds	App. Total	
07:15	1	0	0	0	1	8	381	3	0	392	76	0	58	0	134	0	407	10	0	417	944
07:30	2	0	1	0	3	7	400	0	0	407	51	0	52	0	103	6	443	10	0	459	972
07:45	2	0	4	0	6	18	360	5	0	383	50	1	39	0	90	10	435	22	0	467	946
08:00	3	1	2	0	6	6	367	4	0	377	41	0	31	0	72	3	371	16	0	390	845
Total Volume	8	1	7	0	16	39	1508	12	0	1559	218	1	180	0	399	19	1656	58	0	1733	3707
% App. Total	50	6.2	43.8	0		2.5	96.7	0.8	0		54.6	0.3	45.1	0		1.1	95.6	3.3	0		
PHF	.667	.250	.438	.000	.667	.542	.943	.600	.000	.958	.717	.250	.776	.000	.744	.475	.935	.659	.000	.928	.953

Peak Hour Analysis From 06:00 to 08:45 - Peak 1 of 1
Peak Hour for Entire Intersection Begins at 07:15



TRAFFIC DATA INC.

3268 Xenwood Ave S
St Louis Park, MN 55416

TH-13 at Lynn Ave SAVAGE
Ref.Pt.: 093.031
data by: Traffic Data Inc
TURN MOVEMENT COUNT

File Name : TH-13 at Lynn Ave 2009
Site Code : 1829116
Start Date : 4/30/2009
Page No : 3

Start Time	Lynn Ave Southbound					TH-13 Westbound					Lynn Ave Northbound					TH-13 Eastbound					Int. Total
	Left	Thru	Right	Peds	App. Total	Left	Thru	Right	Peds	App. Total	Left	Thru	Right	Peds	App. Total	Left	Thru	Right	Peds	App. Total	

Peak Hour Analysis From 15:00 to 17:45 - Peak 1 of 1
Peak Hour for Entire Intersection Begins at 16:30

16:30	2	2	3	0	7	49	505	0	0	554	29	0	28	0	57	1	527	39	0	567	1185
16:45	5	1	7	0	13	72	498	1	0	571	34	1	28	0	63	0	514	48	0	562	1209
17:00	1	0	3	0	4	55	508	1	0	564	41	0	16	0	57	5	496	32	0	533	1158
17:15	2	4	3	0	9	51	551	1	0	603	30	1	22	0	53	0	502	47	1	550	1215
Total Volume	10	7	16	0	33	227	2062	3	0	2292	134	2	94	0	230	6	2039	166	1	2212	4767
% App. Total	30.3	21.2	48.5	0		9.9	90	0.1	0		58.3	0.9	40.9	0		0.3	92.2	7.5	0		
PHF	.500	.438	.571	.000	.635	.788	.936	.750	.000	.950	.817	.500	.839	.000	.913	.300	.967	.865	.250	.975	.981

