

# TRAFFIC DATA INC.

3268 Xenwood Ave S  
St Louis Park, MN 55416

TH-13 at CSAH-5      BURNSVILLE  
Ref.Pt.: 094.600  
Data by: Traffic Data Inc  
TURN MOVEMENT COUNT

File Name : TH-13 at CSAH-5 2009  
Site Code : 01829118  
Start Date : 5/5/2009  
Page No : 1

### Groups Printed- Unshifted

Start Time	CSAH-5 Southbound				TH-13 Westbound				CSAH-5 Northbound				TH-13 Eastbound				Int. Total
	Left	Thru	Right	Peds	Left	Thru	Right	Peds	Left	Thru	Right	Peds	Left	Thru	Right	Peds	
06:00	4	0	0	0	15	171	11	0	34	4	106	0	5	177	11	0	538
06:15	1	1	0	0	23	239	11	0	60	11	133	0	4	246	15	0	744
06:30	6	1	0	0	31	279	4	1	54	25	158	0	15	298	19	0	891
06:45	4	4	2	0	50	241	14	0	50	30	155	0	5	345	22	0	922
Total	15	6	2	0	119	930	40	1	198	70	552	0	29	1066	67	0	3095
07:00	4	3	7	0	40	259	10	0	78	33	133	0	5	428	18	0	1018
07:15	8	9	9	0	54	268	12	0	75	47	158	0	11	434	16	0	1101
07:30	7	7	12	0	48	275	15	0	73	60	143	0	10	428	21	0	1099
07:45	7	3	5	0	45	303	18	0	66	43	126	0	7	426	25	0	1074
Total	26	22	33	0	187	1105	55	0	292	183	560	0	33	1716	80	0	4292
08:00	18	9	13	0	47	245	16	0	62	30	139	0	5	353	23	0	960
08:15	11	10	11	0	38	240	14	0	64	23	128	0	9	387	19	0	954
08:30	13	10	12	0	55	230	18	0	40	13	148	0	16	274	17	0	846
08:45	17	5	9	0	55	251	15	0	41	15	119	0	16	287	23	0	853
Total	59	34	45	0	195	966	63	0	207	81	534	0	46	1301	82	0	3613
*** BREAK ***																	
11:00	28	25	12	0	55	187	40	0	15	16	56	0	11	205	23	0	673
11:15	41	21	8	0	76	191	25	0	40	17	70	0	15	217	31	0	752
11:30	35	48	13	0	75	195	39	0	29	21	53	0	15	227	44	0	794
11:45	29	25	18	0	80	206	24	0	55	28	65	0	11	228	32	0	801
Total	133	119	51	0	286	779	128	0	139	82	244	0	52	877	130	0	3020
12:00	37	53	14	0	75	186	30	0	26	18	52	0	17	229	26	0	763
12:15	31	27	10	0	89	227	25	0	35	36	39	0	12	232	29	0	792
12:30	40	22	19	0	87	216	17	0	36	20	53	0	18	266	22	0	816
12:45	48	33	17	0	80	223	17	0	34	25	78	0	11	220	38	0	824
Total	156	135	60	0	331	852	89	0	131	99	222	0	58	947	115	0	3195
*** BREAK ***																	
15:00	36	22	9	0	120	299	32	0	35	9	89	0	6	301	51	0	1009
15:15	41	26	10	0	108	375	30	0	39	20	64	0	11	336	47	3	1110
15:30	23	28	13	0	124	415	30	0	42	25	71	1	11	370	57	0	1210
15:45	38	43	11	0	126	445	29	0	34	23	87	0	6	438	55	0	1335
Total	138	119	43	0	478	1534	121	0	150	77	311	1	34	1445	210	3	4664
16:00	37	41	22	0	125	386	25	1	50	17	89	0	6	348	50	0	1197
16:15	39	32	11	0	133	460	31	0	43	32	105	0	5	508	51	0	1450
16:30	48	55	16	0	138	475	33	0	50	16	90	8	7	439	43	0	1418
16:45	37	40	20	0	149	500	34	0	54	16	115	0	4	491	43	0	1503
Total	161	168	69	0	545	1821	123	1	197	81	399	8	22	1786	187	0	5568
17:00	41	50	17	1	140	511	21	1	40	18	134	0	6	459	45	0	1484
17:15	39	47	14	0	133	523	22	1	45	19	120	0	4	444	57	0	1468
17:30	29	39	14	0	149	533	34	0	37	19	91	0	4	405	48	0	1402
17:45	26	46	12	0	136	460	33	0	24	8	130	0	6	366	54	0	1301
Total	135	182	57	1	558	2027	110	2	146	64	475	0	20	1674	204	0	5655
Grand Total	823	785	360	1	2699	10014	729	4	1460	737	3297	9	294	10812	1075	3	33102
Apprch %	41.8	39.9	18.3	0.1	20.1	74.5	5.4	0	26.5	13.4	59.9	0.2	2.4	88.7	8.8	0	
Total %	2.5	2.4	1.1	0	8.2	30.3	2.2	0	4.4	2.2	10	0	0.9	32.7	3.2	0	

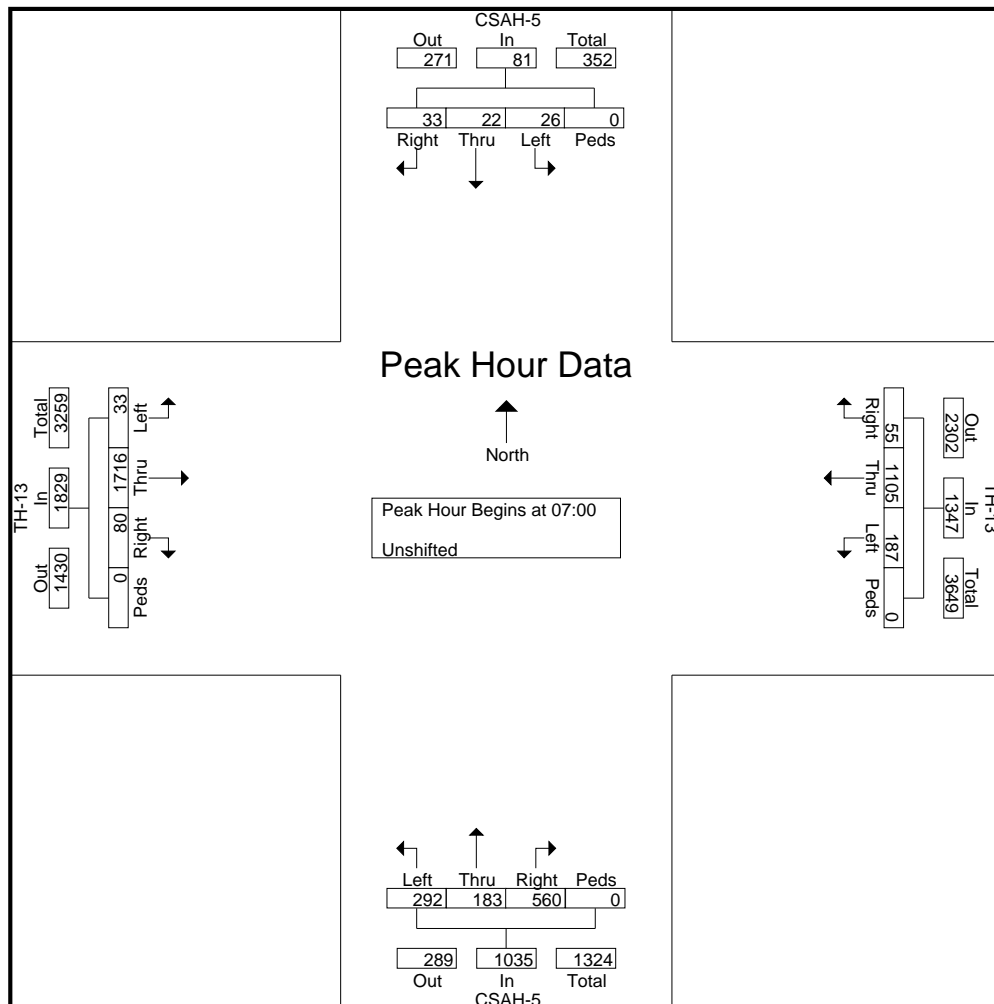
# TRAFFIC DATA INC.

3268 Xenwood Ave S  
St Louis Park, MN 55416

TH-13 at CSAH-5 BURNSVILLE  
Ref.Pt.: 094.600  
Data by: Traffic Data Inc  
TURN MOVEMENT COUNT

File Name : TH-13 at CSAH-5 2009  
Site Code : 01829118  
Start Date : 5/5/2009  
Page No : 2

Start Time	CSAH-5 Southbound					TH-13 Westbound					CSAH-5 Northbound					TH-13 Eastbound					Int. Total
	Left	Thru	Right	Peds	App. Total	Left	Thru	Right	Peds	App. Total	Left	Thru	Right	Peds	App. Total	Left	Thru	Right	Peds	App. Total	
Peak Hour Analysis From 06:00 to 08:45 - Peak 1 of 1																					
Peak Hour for Entire Intersection Begins at 07:00																					
07:00	4	3	7	0	14	40	259	10	0	309	78	33	133	0	244	5	428	18	0	451	1018
07:15	8	9	9	0	26	54	268	12	0	334	75	47	158	0	280	11	434	16	0	461	1101
07:30	7	7	12	0	26	48	275	15	0	338	73	60	143	0	276	10	428	21	0	459	1099
07:45	7	3	5	0	15	45	303	18	0	366	66	43	126	0	235	7	426	25	0	458	1074
Total Volume	26	22	33	0	81	187	1105	55	0	1347	292	183	560	0	1035	33	1716	80	0	1829	4292
% App. Total	32.1	27.2	40.7	0		13.9	82	4.1	0		28.2	17.7	54.1	0		1.8	93.8	4.4	0		
PHF	.813	.611	.688	.000	.779	.866	.912	.764	.000	.920	.936	.763	.886	.000	.924	.750	.988	.800	.000	.992	.975



# TRAFFIC DATA INC.

3268 Xenwood Ave S  
St Louis Park, MN 55416

TH-13 at CSAH-5      BURNSVILLE  
Ref.Pt.: 094.600  
Data by: Traffic Data Inc  
TURN MOVEMENT COUNT

File Name : TH-13 at CSAH-5 2009  
Site Code : 01829118  
Start Date : 5/5/2009  
Page No : 3

Start Time	CSAH-5 Southbound					TH-13 Westbound					CSAH-5 Northbound					TH-13 Eastbound					Int. Total
	Left	Thru	Right	Peds	App. Total	Left	Thru	Right	Peds	App. Total	Left	Thru	Right	Peds	App. Total	Left	Thru	Right	Peds	App. Total	
Peak Hour Analysis From 15:00 to 17:45 - Peak 1 of 1																					
Peak Hour for Entire Intersection Begins at 16:30																					
16:30	48	55	16	0	119	138	475	33	0	646	50	16	90	8	164	7	439	43	0	489	1418
16:45	37	40	20	0	97	149	500	34	0	683	54	16	115	0	185	4	491	43	0	538	1503
17:00	41	50	17	1	109	140	511	21	1	673	40	18	134	0	192	6	459	45	0	510	1484
17:15	39	47	14	0	100	133	523	22	1	679	45	19	120	0	184	4	444	57	0	505	1468
Total Volume	165	192	67	1	425	560	2009	110	2	2681	189	69	459	8	725	21	1833	188	0	2042	5873
% App. Total	38.8	45.2	15.8	0.2		20.9	74.9	4.1	0.1		26.1	9.5	63.3	1.1		1	89.8	9.2	0		
PHF	.859	.873	.838	.250	.893	.940	.960	.809	.500	.981	.875	.908	.856	.250	.944	.750	.933	.825	.000	.949	.977

