

SEH CONSULTING
Traffic Data Collection
TURN MOVEMENT COUNT

Nicollet Avenue & River Ridge Boulevard
AM, MID, PM Peaks 7/10/2007
data by SEH
TURN MOVEMENT COUNT

File Name : Nicollet Ave at River Ridge Blvd 2007
Site Code : 00000009
Start Date : 7/10/2007
Page No : 1

Groups Printed- Vehicles

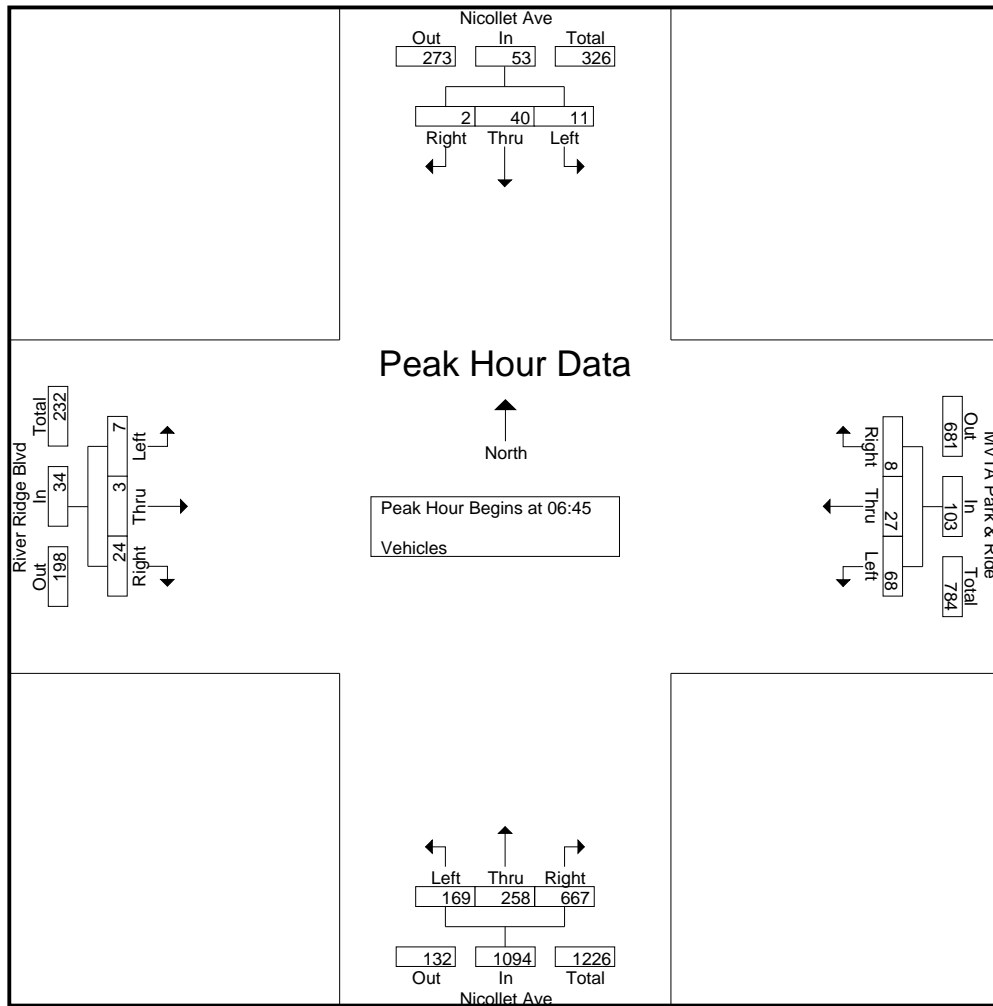
Start Time	Nicollet Ave Southbound				MVTA Park & Ride Westbound				Nicollet Ave Northbound				River Ridge Blvd Eastbound				Exclu. Total	Inclu. Total	Int. Total
	Left	Thru	Right	Peds	Left	Thru	Right	Peds	Left	Thru	Right	Peds	Left	Thru	Right	Peds			
06:00	2	11	0	0	2	4	2	0	5	32	69	0	2	0	2	0	0	131	131
06:15	2	6	1	0	13	6	1	0	12	41	118	0	4	0	3	0	0	207	207
06:30	1	12	0	0	13	6	1	0	27	26	145	0	3	1	2	0	0	237	237
06:45	4	11	0	0	15	9	2	0	34	57	191	0	2	1	2	0	0	328	328
Total	9	40	1	0	43	25	6	0	78	156	523	0	11	2	9	0	0	903	903
07:00	3	12	2	0	16	8	3	0	37	51	183	0	1	1	5	0	0	322	322
07:15	4	5	0	0	26	6	0	0	49	70	175	0	1	1	9	0	0	346	346
07:30	0	12	0	0	11	4	3	0	49	80	118	0	3	0	8	0	0	288	288
07:45	1	13	1	0	13	4	2	0	53	104	125	0	3	0	4	0	0	323	323
Total	8	42	3	0	66	22	8	0	188	305	601	0	8	2	26	0	0	1279	1279
08:00	2	14	1	0	12	5	0	0	58	55	60	0	4	0	8	0	0	219	219
08:15	2	11	2	0	5	3	1	0	39	47	42	0	1	0	11	0	0	164	164
08:30	2	20	6	0	7	4	0	0	23	50	34	0	2	0	6	0	0	154	154
08:45	1	18	3	0	5	1	1	0	27	48	26	0	1	0	8	0	0	139	139
Total	7	63	12	0	29	13	2	0	147	200	162	0	8	0	33	0	0	676	676
*** BREAK ***																			
11:00	0	33	1	0	3	2	2	0	13	25	4	0	0	2	23	0	0	108	108
11:15	0	30	2	0	5	0	0	0	5	24	7	0	2	0	22	0	0	97	97
11:30	0	64	3	0	2	0	0	0	17	24	4	0	3	1	20	0	0	138	138
11:45	1	49	6	0	11	0	0	0	17	38	9	0	0	0	27	0	0	158	158
Total	1	176	12	0	21	2	2	0	52	111	24	0	5	3	92	0	0	501	501
12:00	1	65	1	0	5	1	0	0	22	46	7	0	2	0	27	0	0	177	177
12:15	1	45	0	0	9	0	0	0	15	57	6	0	7	0	21	0	0	161	161
12:30	0	48	2	0	8	0	1	0	32	60	9	0	3	1	16	0	0	180	180
12:45	0	37	2	0	14	3	0	0	23	45	8	0	2	2	22	0	0	158	158
Total	2	195	5	0	36	4	1	0	92	208	30	0	14	3	86	0	0	676	676
13:00	0	34	2	0	14	1	2	0	24	51	6	0	6	1	23	0	0	164	164
13:15	0	32	3	0	7	0	1	0	13	39	5	0	3	0	26	0	0	129	129
13:30	1	31	2	0	11	0	2	0	16	39	6	0	4	0	16	0	0	128	128
13:45	0	27	2	0	7	0	0	0	24	30	1	0	2	0	20	0	0	113	113
Total	1	124	9	0	39	1	5	0	77	159	18	0	15	1	85	0	0	534	534
*** BREAK ***																			
15:00	1	42	4	0	9	0	0	0	11	26	8	0	2	0	18	0	0	121	121
15:15	2	40	8	0	33	0	2	0	10	21	8	0	1	0	25	0	0	150	150
15:30	2	40	1	0	13	2	1	0	15	23	13	0	4	0	27	0	0	141	141
15:45	2	32	1	0	75	2	2	0	12	25	11	0	2	0	23	0	0	187	187
Total	7	154	14	0	130	4	5	0	48	95	40	0	9	0	93	0	0	599	599
16:00	1	50	6	0	89	2	1	0	5	29	13	0	1	0	22	0	0	219	219
16:15	1	70	1	0	77	3	1	0	7	37	8	0	4	2	26	0	0	237	237
16:30	1	79	3	0	87	3	1	0	5	10	17	0	2	2	26	0	0	236	236
16:45	1	50	3	0	120	6	7	0	9	12	18	0	2	1	24	0	0	253	253
Total	4	249	13	0	373	14	10	0	26	88	56	0	9	5	98	0	0	945	945
17:00	1	72	4	0	158	5	4	0	4	14	19	0	1	0	19	0	0	301	301
17:15	3	40	2	0	120	3	5	0	6	20	30	0	0	1	28	0	0	258	258
17:30	0	35	5	0	175	9	9	0	7	10	17	0	5	0	24	0	0	296	296
17:45	0	34	1	0	158	2	3	0	13	11	15	0	0	0	16	0	0	253	253
Total	4	181	12	0	611	19	21	0	30	55	81	0	6	1	87	0	0	1108	1108
Grand Total	43	1224	81	0	1348	104	60	0	738	1377	1535	0	85	17	609	0	0	7221	7221
Apprch %	3.2	90.8	6		89.2	6.9	4		20.2	37.7	42.1		12	2.4	85.7				
Total %	0.6	17	1.1		18.7	1.4	0.8		10.2	19.1	21.3		1.2	0.2	8.4			100	

SEH CONSULTING
Traffic Data Collection
TURN MOVEMENT COUNT

Nicollet Avenue & River Ridge Boulevard
AM, MID, PM Peaks 7/10/2007
data by SEH
TURN MOVEMENT COUNT

File Name : Nicollet Ave at River Ridge Blvd 2007
Site Code : 00000009
Start Date : 7/10/2007
Page No : 2

Start Time	Nicollet Ave Southbound				MVTA Park & Ride Westbound				Nicollet Ave Northbound				River Ridge Blvd Eastbound				Int. Total
	Left	Thru	Right	App. Total	Left	Thru	Right	App. Total	Left	Thru	Right	App. Total	Left	Thru	Right	App. Total	
Peak Hour Analysis From 06:00 to 08:45 - Peak 1 of 1																	
Peak Hour for Entire Intersection Begins at 06:45																	
06:45	4	11	0	15	15	9	2	26	34	57	191	282	2	1	2	5	328
07:00	3	12	2	17	16	8	3	27	37	51	183	271	1	1	5	7	322
07:15	4	5	0	9	26	6	0	32	49	70	175	294	1	1	9	11	346
07:30	0	12	0	12	11	4	3	18	49	80	118	247	3	0	8	11	288
Total Volume	11	40	2	53	68	27	8	103	169	258	667	1094	7	3	24	34	1284
% App. Total	20.8	75.5	3.8		66	26.2	7.8		15.4	23.6	61		20.6	8.8	70.6		
PHF	.688	.833	.250	.779	.654	.750	.667	.805	.862	.806	.873	.930	.583	.750	.667	.773	.928



SEH CONSULTING
Traffic Data Collection
TURN MOVEMENT COUNT

Nicollet Avenue & River Ridge Boulevard
AM, MID, PM Peaks 7/10/2007
data by SEH
TURN MOVEMENT COUNT

File Name : Nicollet Ave at River Ridge Blvd 2007
Site Code : 00000009
Start Date : 7/10/2007
Page No : 3

Start Time	Nicollet Ave Southbound				MVTA Park & Ride Westbound				Nicollet Ave Northbound				River Ridge Blvd Eastbound				Int. Total
	Left	Thru	Right	App. Total	Left	Thru	Right	App. Total	Left	Thru	Right	App. Total	Left	Thru	Right	App. Total	
Peak Hour Analysis From 15:00 to 17:45 - Peak 1 of 1																	
Peak Hour for Entire Intersection Begins at 16:45																	
16:45	1	50	3	54	120	6	7	133	9	12	18	39	2	1	24	27	253
17:00	1	72	4	77	158	5	4	167	4	14	19	37	1	0	19	20	301
17:15	3	40	2	45	120	3	5	128	6	20	30	56	0	1	28	29	258
17:30	0	35	5	40	175	9	9	193	7	10	17	34	5	0	24	29	296
Total Volume	5	197	14	216	573	23	25	621	26	56	84	166	8	2	95	105	1108
% App. Total	2.3	91.2	6.5		92.3	3.7	4		15.7	33.7	50.6		7.6	1.9	90.5		
PHF	.417	.684	.700	.701	.819	.639	.694	.804	.722	.700	.700	.741	.400	.500	.848	.905	.920

