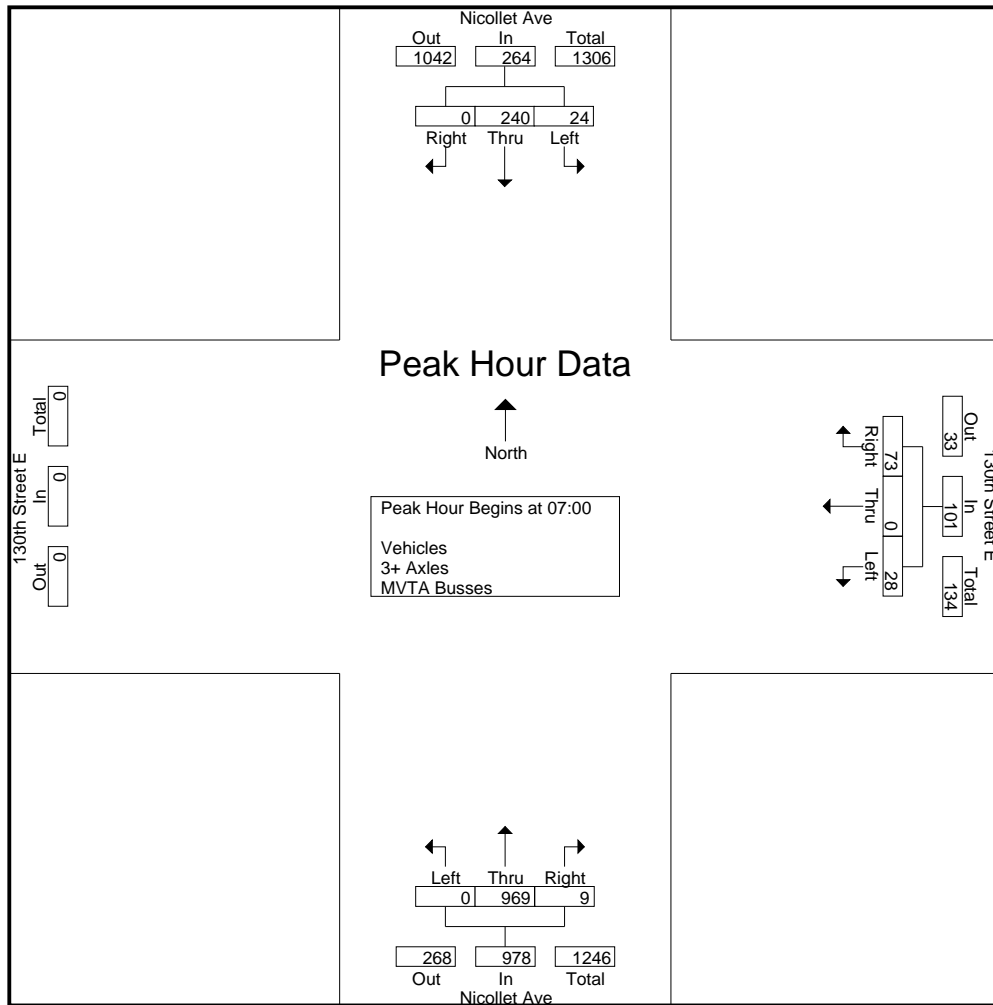


SEH CONSULTING
Traffic Data Collection
TURN MOVEMENT COUNT

Nicollet Avenue at 130th Street
6/28/2007 (AM,MID) and 7/11/2007 (PM)
data by SEH
TURN MOVEMENT COUNT

File Name : Nicollet Ave at 130th St- E 2007
Site Code : 00000002
Start Date : 6/28/2007
Page No : 2

Start Time	Nicollet Ave Southbound				130th Street E Westbound				Nicollet Ave Northbound				Int. Total
	Left	Thru	Right	App. Total	Left	Thru	Right	App. Total	Left	Thru	Right	App. Total	
Peak Hour Analysis From 06:00 to 08:45 - Peak 1 of 1													
Peak Hour for Entire Intersection Begins at 07:00													
07:00	7	51	0	58	7	0	14	21	0	222	2	224	303
07:15	7	46	0	53	7	0	17	24	0	231	3	234	311
07:30	7	59	0	66	5	0	21	26	0	275	3	278	370
07:45	3	84	0	87	9	0	21	30	0	241	1	242	359
Total Volume	24	240	0	264	28	0	73	101	0	969	9	978	1343
% App. Total	9.1	90.9	0		27.7	0	72.3		0	99.1	0.9		
PHF	.857	.714	.000	.759	.778	.000	.869	.842	.000	.881	.750	.879	.907



SEH CONSULTING
Traffic Data Collection
TURN MOVEMENT COUNT

Nicollet Avenue at 130th Street
6/28/2007 (AM,MID) and 7/11/2007 (PM)
data by SEH
TURN MOVEMENT COUNT

File Name : Nicollet Ave at 130th St- E 2007
Site Code : 00000002
Start Date : 6/28/2007
Page No : 3

Start Time	Nicollet Ave Southbound				130th Street E Westbound				Nicollet Ave Northbound				Int. Total
	Left	Thru	Right	App. Total	Left	Thru	Right	App. Total	Left	Thru	Right	App. Total	
Peak Hour Analysis From 15:00 to 17:45 - Peak 1 of 1													
Peak Hour for Entire Intersection Begins at 17:00													
17:00	30	261	0	291	15	0	10	25	0	179	12	191	507
17:15	19	270	0	289	11	0	14	25	0	136	13	149	463
17:30	17	231	0	248	14	0	16	30	0	144	14	158	436
17:45	30	225	0	255	15	0	8	23	0	154	12	166	444
Total Volume	96	987	0	1083	55	0	48	103	0	613	51	664	1850
% App. Total	8.9	91.1	0		53.4	0	46.6		0	92.3	7.7		
PHF	.800	.914	.000	.930	.917	.000	.750	.858	.000	.856	.911	.869	.912

