

SEH CONSULTING
Traffic Data Collection
TURN MOVEMENT COUNT

TH-13 at Nicollet Ave.
6/28/2007
data by SEH
TURN MOVEMENT COUNT

File Name : TH-13 at Nicollet Ave 2007
Site Code : 00000008
Start Date : 6/28/2007
Page No : 1

Groups Printed- Vehicles - MVTA Busses - Heavy Trucks

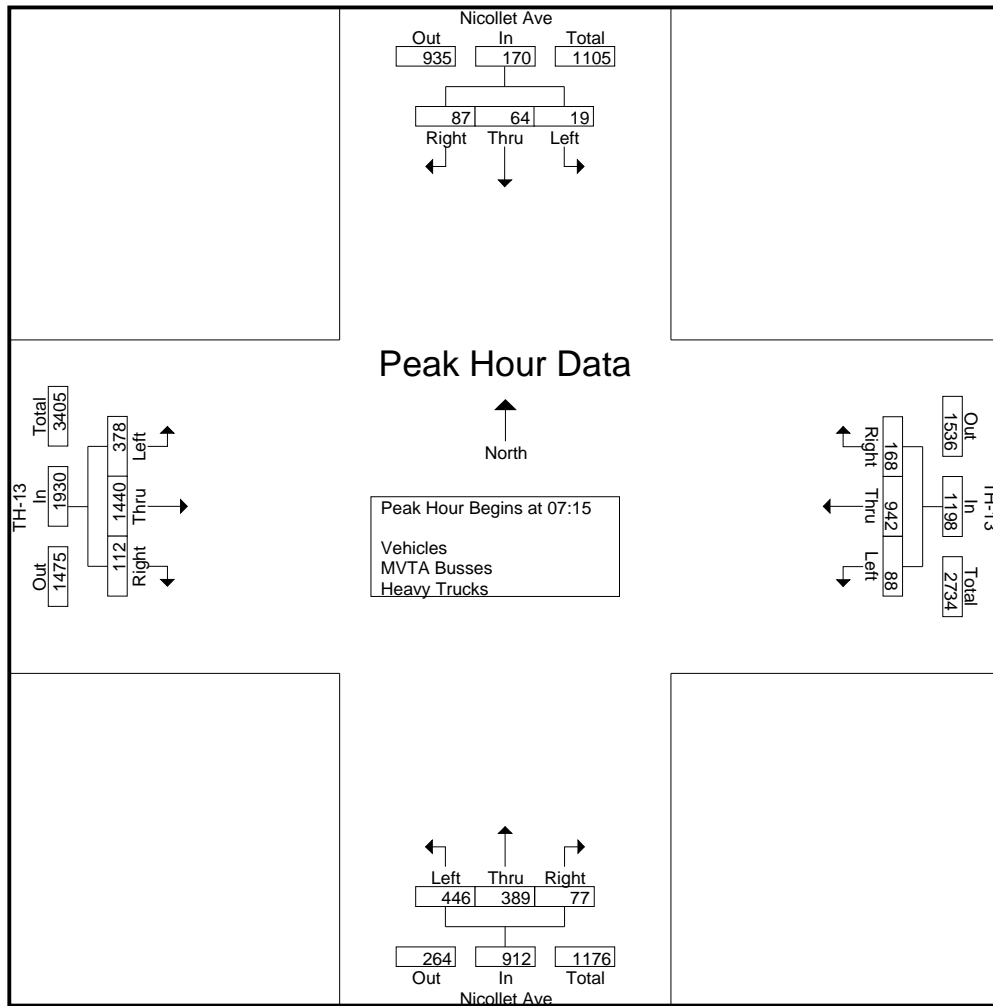
Start Time	Nicollet Ave Southbound				TH-13 Westbound				Nicollet Ave Northbound				TH-13 Eastbound				Exclu. Total	Inclu. Total	Int. Total
	Left	Thru	Right	Peds	Left	Thru	Right	Peds	Left	Thru	Right	Peds	Left	Thru	Right	Peds			
06:00	2	2	10	0	11	129	7	0	52	31	10	0	68	148	16	0	0	486	486
06:15	3	7	9	0	8	120	15	0	66	60	11	0	82	195	20	0	0	596	596
06:30	7	7	13	0	11	159	29	0	101	95	15	0	86	213	25	0	0	761	761
06:45	5	6	12	0	15	159	34	0	106	125	11	0	114	246	31	0	0	864	864
Total	17	22	44	0	45	567	85	0	325	311	47	0	350	802	92	0	0	2707	2707
07:00	8	13	19	0	5	159	40	0	106	117	19	0	115	256	39	0	0	896	896
07:15	5	14	23	0	19	211	42	0	117	121	19	0	121	339	25	0	0	1056	1056
07:30	8	21	29	0	16	261	35	0	121	112	14	0	77	375	24	0	0	1093	1093
07:45	4	8	21	0	28	253	54	0	110	104	26	0	86	398	25	0	0	1117	1117
Total	25	56	92	0	68	884	171	0	454	454	78	0	399	1368	113	0	0	4162	4162
08:00	2	21	14	0	25	217	37	0	98	52	18	0	94	328	38	0	0	944	944
08:15	4	19	14	0	16	213	30	0	89	59	16	0	64	302	43	0	0	869	869
08:30	6	12	21	0	30	173	19	0	70	36	14	0	61	266	43	0	0	751	751
08:45	11	24	20	0	18	207	34	0	75	58	29	0	66	291	52	0	0	885	885
Total	23	76	69	0	89	810	120	0	332	205	77	0	285	1187	176	0	0	3449	3449
*** BREAK ***																			
11:00	10	31	23	0	46	163	11	2	58	24	36	0	22	163	29	0	2	616	618
11:15	10	32	24	0	40	189	13	3	64	34	34	0	13	170	58	0	3	681	684
11:30	4	37	29	1	51	227	12	3	53	26	41	1	16	196	43	0	5	735	740
11:45	10	49	37	0	56	190	16	0	42	36	28	0	19	179	50	0	0	712	712
Total	34	149	113	1	193	769	52	8	217	120	139	1	70	708	180	0	10	2744	2754
12:00	12	56	28	0	65	219	13	1	49	33	46	0	20	191	48	0	1	780	781
12:15	16	38	26	4	65	179	9	2	58	54	37	2	20	166	57	0	8	725	733
12:30	12	38	25	0	50	205	16	3	70	35	51	0	26	228	47	0	3	803	806
12:45	6	35	20	0	44	197	9	0	68	48	51	0	34	208	65	0	0	785	785
Total	46	167	99	4	224	800	47	6	245	170	185	2	100	793	217	0	12	3093	3105
*** BREAK ***																			
15:00	14	30	45	0	48	261	8	0	46	24	42	0	20	206	73	0	0	817	817
15:15	9	29	37	0	48	282	16	2	54	24	41	0	29	249	72	0	2	890	892
15:30	20	40	61	0	50	290	5	1	70	19	44	0	20	261	65	0	1	945	946
15:45	9	41	53	0	59	349	10	4	66	22	45	0	29	297	71	0	4	1051	1055
Total	52	140	196	0	205	1182	39	7	236	89	172	0	98	1013	281	0	7	3703	3710
16:00	16	61	60	0	44	347	9	3	69	22	47	0	30	256	82	0	3	1043	1046
16:15	14	40	66	0	81	396	18	2	57	17	37	0	28	298	71	0	2	1123	1125
16:30	33	97	107	0	57	418	18	0	58	19	45	0	29	296	92	0	0	1269	1269
16:45	16	81	112	0	62	390	13	0	52	16	44	0	34	320	92	0	0	1232	1232
Total	79	279	345	0	244	1551	58	5	236	74	173	0	121	1170	337	0	5	4667	4672
17:00	17	89	92	0	59	435	14	0	62	13	34	0	24	307	82	0	0	1228	1228
17:15	19	102	126	0	68	432	8	1	78	21	38	0	32	327	93	0	1	1344	1345
17:30	31	103	104	0	68	457	17	3	84	17	55	0	20	302	85	0	3	1343	1346
17:45	26	75	86	1	69	414	11	0	58	24	56	0	24	297	98	0	1	1238	1239
Total	93	369	408	1	264	1738	50	4	282	75	183	0	100	1233	358	0	5	5153	5158
Grand Total	369	1258	1366	6	1332	8301	622	30	2327	1498	1054	3	1523	8274	1754	0	39	29678	29717
Apprch %	12.3	42	45.6		13	80.9	6.1		47.7	30.7	21.6		13.2	71.6	15.2				
Total %	1.2	4.2	4.6		4.5	28	2.1		7.8	5	3.6		5.1	27.9	5.9		0.1	99.9	
Vehicles	349	1226	1345		1330	8195	599		2322	1471	1050		1455	8041	1744		0	0	29166
% Vehicles	94.6	97.5	98.5	100	99.8	98.7	96.3	100	99.8	98.2	99.6	100	95.5	97.2	99.4	0	0	0	98.1
MVTA Busses	17	26	8		1	4	21		0	25	2		56	1	5		0	0	166
% MVTA Busses	4.6	2.1	0.6	0	0.1	0	3.4	0	0	1.7	0.2	0	3.7	0	0.3	0	0	0	0.6
Heavy Trucks	3	6	13		1	102	2		5	2	2		12	232	5		0	0	385
% Heavy Trucks	0.8	0.5	1	0	0.1	1.2	0.3	0	0.2	0.1	0.2	0	0.8	2.8	0.3	0	0	0	1.3

SEH CONSULTING
Traffic Data Collection
TURN MOVEMENT COUNT

TH-13 at Nicollet Ave.
6/28/2007
data by SEH
TURN MOVEMENT COUNT

File Name : TH-13 at Nicollet Ave 2007
Site Code : 00000008
Start Date : 6/28/2007
Page No : 2

Start Time	Nicollet Ave Southbound				TH-13 Westbound				Nicollet Ave Northbound				TH-13 Eastbound				Int. Total
	Left	Thru	Right	App. Total	Left	Thru	Right	App. Total	Left	Thru	Right	App. Total	Left	Thru	Right	App. Total	
Peak Hour Analysis From 06:00 to 08:45 - Peak 1 of 1																	
Peak Hour for Entire Intersection Begins at 07:15																	
07:15	5	14	23	42	19	211	42	272	117	121	19	257	121	339	25	485	1056
07:30	8	21	29	58	16	261	35	312	121	112	14	247	77	375	24	476	1093
07:45	4	8	21	33	28	253	54	335	110	104	26	240	86	398	25	509	1117
08:00	2	21	14	37	25	217	37	279	98	52	18	168	94	328	38	460	944
Total Volume	19	64	87	170	88	942	168	1198	446	389	77	912	378	1440	112	1930	4210
% App. Total	11.2	37.6	51.2		7.3	78.6	14		48.9	42.7	8.4		19.6	74.6	5.8		
PHF	.594	.762	.750	.733	.786	.902	.778	.894	.921	.804	.740	.887	.781	.905	.737	.948	.942



SEH CONSULTING
Traffic Data Collection
TURN MOVEMENT COUNT

TH-13 at Nicollet Ave.
6/28/2007
data by SEH
TURN MOVEMENT COUNT

File Name : TH-13 at Nicollet Ave 2007
Site Code : 00000008
Start Date : 6/28/2007
Page No : 3

Start Time	Nicollet Ave Southbound				TH-13 Westbound				Nicollet Ave Northbound				TH-13 Eastbound				Int. Total
	Left	Thru	Right	App. Total	Left	Thru	Right	App. Total	Left	Thru	Right	App. Total	Left	Thru	Right	App. Total	
Peak Hour Analysis From 15:00 to 17:45 - Peak 1 of 1																	
Peak Hour for Entire Intersection Begins at 17:00																	
17:00	17	89	92	198	59	435	14	508	62	13	34	109	24	307	82	413	1228
17:15	19	102	126	247	68	432	8	508	78	21	38	137	32	327	93	452	1344
17:30	31	103	104	238	68	457	17	542	84	17	55	156	20	302	85	407	1343
17:45	26	75	86	187	69	414	11	494	58	24	56	138	24	297	98	419	1238
Total Volume	93	369	408	870	264	1738	50	2052	282	75	183	540	100	1233	358	1691	5153
% App. Total	10.7	42.4	46.9		12.9	84.7	2.4		52.2	13.9	33.9		5.9	72.9	21.2		
PHF	.750	.896	.810	.881	.957	.951	.735	.946	.839	.781	.817	.865	.781	.943	.913	.935	.959

