

# TRAFFIC DATA INC.

3268 Xenwood Ave S  
St Louis Park, MN 55416

TH-13 at Parkwood Drive  
Ref.Pt.: 099.074  
data by: Traffic Data Inc.  
TURN MOVEMENT COUNT

File Name : TH-13 at Parkwood Dr 2009  
Site Code : 01829131  
Start Date : 5/7/2009  
Page No : 1

### Groups Printed- Unshifted

Start Time	12th Ave S Southbound				TH-13 Westbound				Parkwood Dr Northbound				TH-13 Eastbound				Int. Total
	Left	Thru	Right	Peds	Left	Thru	Right	Peds	Left	Thru	Right	Peds	Left	Thru	Right	Peds	
06:00	1	3	15	0	0	111	10	0	6	19	16	0	9	127	1	0	318
06:15	6	5	14	0	1	136	15	2	9	17	15	0	18	164	2	0	404
06:30	2	0	10	1	4	182	17	0	15	35	23	0	22	224	2	0	537
06:45	5	5	27	0	5	215	41	0	14	47	30	0	34	237	6	0	666
Total	14	13	66	1	10	644	83	2	44	118	84	0	83	752	11	0	1925
07:00	10	17	22	2	2	189	77	3	28	118	29	0	39	266	0	1	803
07:15	20	24	20	0	9	295	37	0	19	74	31	0	37	329	4	1	900
07:30	8	1	29	2	10	301	28	1	23	50	52	0	27	391	4	1	928
07:45	8	9	25	0	4	272	43	0	15	76	39	0	41	370	2	1	905
Total	46	51	96	4	25	1057	185	4	85	318	151	0	144	1356	10	4	3536
08:00	10	11	28	0	14	204	28	0	19	54	23	0	35	300	10	0	736
08:15	10	8	29	0	8	226	20	0	11	41	26	0	25	320	5	0	729
08:30	5	14	24	0	10	241	22	1	8	33	25	0	21	271	0	0	675
08:45	10	5	17	0	9	230	18	0	18	34	24	0	36	254	8	0	663
Total	35	38	98	0	41	901	88	1	56	162	98	0	117	1145	23	0	2803
*** BREAK ***																	
11:00	17	11	14	0	13	181	16	1	10	19	12	0	22	164	6	0	486
11:15	25	24	31	0	10	140	27	1	11	27	16	0	36	167	5	0	520
11:30	21	25	33	0	10	156	14	4	9	18	9	0	24	177	4	1	505
11:45	12	29	35	0	10	150	19	0	12	25	15	0	35	175	6	1	524
Total	75	89	113	0	43	627	76	6	42	89	52	0	117	683	21	2	2035
12:00	18	22	63	2	15	198	24	0	9	27	10	0	29	205	12	0	634
12:15	24	27	62	0	6	160	20	1	10	29	17	0	40	165	3	0	564
12:30	25	30	37	1	18	196	11	0	7	22	14	0	42	201	6	0	610
12:45	20	23	22	0	8	142	13	2	14	35	13	0	36	159	7	1	495
Total	87	102	184	3	47	696	68	3	40	113	54	0	147	730	28	1	2303
*** BREAK ***																	
15:00	28	27	45	4	17	257	13	0	20	23	21	0	28	248	16	4	751
15:15	20	30	36	0	18	258	17	1	11	19	16	0	35	239	19	1	720
15:30	20	34	44	0	23	290	20	0	14	18	19	0	29	249	13	0	773
15:45	16	29	37	0	20	351	23	0	11	27	15	0	32	266	12	1	840
Total	84	120	162	4	78	1156	73	1	56	87	71	0	124	1002	60	6	3084
16:00	26	37	44	0	20	321	21	4	12	26	24	0	28	286	12	0	861
16:15	24	37	33	1	12	359	19	0	10	21	20	1	37	293	15	1	883
16:30	27	50	57	0	19	354	17	0	21	22	17	1	35	352	11	1	984
16:45	34	46	31	0	30	425	18	0	14	16	28	0	29	280	18	0	969
Total	111	170	165	1	81	1459	75	4	57	85	89	2	129	1211	56	2	3697
17:00	32	61	61	0	30	421	15	6	14	30	32	0	26	265	13	2	1008
17:15	19	38	39	3	27	424	21	2	17	20	20	0	20	259	13	0	922
17:30	29	38	28	1	30	364	23	1	13	20	27	0	23	291	25	0	913
17:45	26	33	33	1	20	347	20	0	11	21	20	0	27	360	18	0	937
Total	106	170	161	5	107	1556	79	9	55	91	99	0	96	1175	69	2	3780
Grand Total	558	753	1045	18	432	8096	727	30	435	1063	698	2	957	8054	278	17	23163
Apprch %	23.5	31.7	44	0.8	4.7	87.2	7.8	0.3	19.8	48.4	31.8	0.1	10.3	86.5	3	0.2	
Total %	2.4	3.3	4.5	0.1	1.9	35	3.1	0.1	1.9	4.6	3	0	4.1	34.8	1.2	0.1	

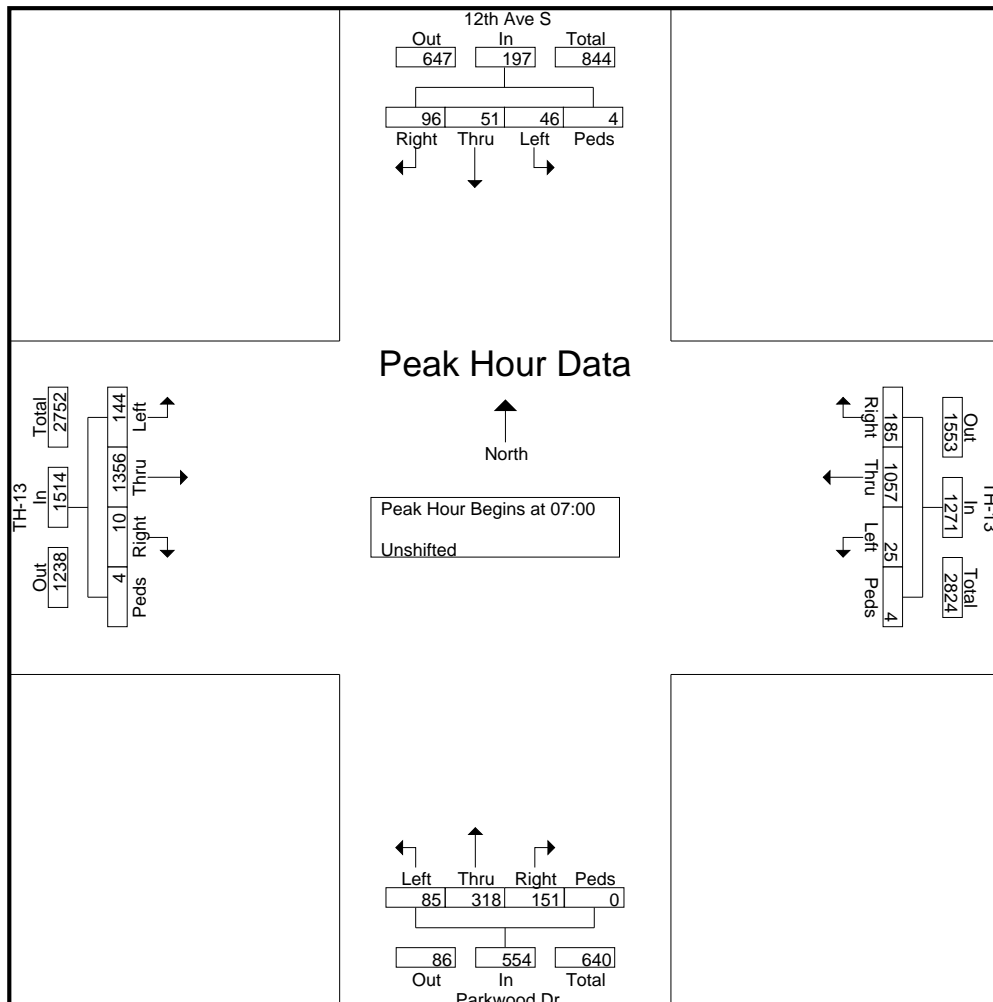
# TRAFFIC DATA INC.

3268 Xenwood Ave S  
St Louis Park, MN 55416

TH-13 at Parkwood Drive  
Ref.Pt.: 099.074  
data by: Traffic Data Inc.  
TURN MOVEMENT COUNT

File Name : TH-13 at Parkwood Dr 2009  
Site Code : 01829131  
Start Date : 5/7/2009  
Page No : 2

Start Time	12th Ave S Southbound					TH-13 Westbound					Parkwood Dr Northbound					TH-13 Eastbound					Int. Total
	Left	Thru	Right	Peds	App. Total	Left	Thru	Right	Peds	App. Total	Left	Thru	Right	Peds	App. Total	Left	Thru	Right	Peds	App. Total	
Peak Hour Analysis From 06:00 to 08:45 - Peak 1 of 1																					
Peak Hour for Entire Intersection Begins at 07:00																					
07:00	10	17	22	2	51	2	189	77	3	271	28	118	29	0	175	39	266	0	1	306	803
07:15	20	24	20	0	64	9	295	37	0	341	19	74	31	0	124	37	329	4	1	371	900
07:30	8	1	29	2	40	10	301	28	1	340	23	50	52	0	125	27	391	4	1	423	928
07:45	8	9	25	0	42	4	272	43	0	319	15	76	39	0	130	41	370	2	1	414	905
Total Volume	46	51	96	4	197	25	1057	185	4	1271	85	318	151	0	554	144	1356	10	4	1514	3536
% App. Total	23.4	25.9	48.7	2		2	83.2	14.6	0.3		15.3	57.4	27.3	0		9.5	89.6	0.7	0.3		
PHF	.575	.531	.828	.500	.770	.625	.878	.601	.333	.932	.759	.674	.726	.000	.791	.878	.867	.625	1.000		



# TRAFFIC DATA INC.

3268 Xenwood Ave S  
St Louis Park, MN 55416

TH-13 at Parkwood Drive  
Ref.Pt.: 099.074  
data by: Traffic Data Inc.  
TURN MOVEMENT COUNT

File Name : TH-13 at Parkwood Dr 2009  
Site Code : 01829131  
Start Date : 5/7/2009  
Page No : 3

Start Time	12th Ave S Southbound					TH-13 Westbound					Parkwood Dr Northbound					TH-13 Eastbound					Int. Total
	Left	Thru	Right	Peds	App. Total	Left	Thru	Right	Peds	App. Total	Left	Thru	Right	Peds	App. Total	Left	Thru	Right	Peds	App. Total	
Peak Hour Analysis From 15:00 to 17:45 - Peak 1 of 1																					
Peak Hour for Entire Intersection Begins at 16:30																					
16:30	27	50	57	0	134	19	354	17	0	390	21	22	17	1	61	35	352	11	1	399	984
16:45	34	46	31	0	111	30	425	18	0	473	14	16	28	0	58	29	280	18	0	327	969
17:00	32	61	61	0	154	30	421	15	6	472	14	30	32	0	76	26	265	13	2	306	1008
17:15	19	38	39	3	99	27	424	21	2	474	17	20	20	0	57	20	259	13	0	292	922
Total Volume	112	195	188	3	498	106	1624	71	8	1809	66	88	97	1	252	110	1156	55	3	1324	3883
% App. Total	22.5	39.2	37.8	0.6		5.9	89.8	3.9	0.4		26.2	34.9	38.5	0.4		8.3	87.3	4.2	0.2		
PHF	.824	.799	.770	.250	.808	.883	.955	.845	.333	.954	.786	.733	.758	.250	.829	.786	.821	.764	.375	.830	.963

