

TRAFFIC DATA INC.

3268 Xenwood Ave S
St Louis Park, MN 55416

Cliff Rd E at 12th Ave S BURNSVILLE

File Name : Cliff Rd E at 12th Ave S 2009

Site Code : 01829135

Data by: Traffic Data Inc
TURN MOVEMENT COUNT

Start Date : 5/12/2009

Page No : 1

Groups Printed- Unshifted

Start Time	12th Ave S Southbound				Cliff Rd E Westbound				12th Ave S Northbound				Cliff Rd E Eastbound				Int. Total
	Left	Thru	Right	Peds	Left	Thru	Right	Peds	Left	Thru	Right	Peds	Left	Thru	Right	Peds	
06:00	11	11	8	0	2	85	16	0	8	8	2	0	8	30	4	0	193
06:15	5	9	5	0	4	99	24	0	5	13	4	0	3	48	4	0	223
06:30	8	4	11	0	5	125	24	0	9	17	4	0	7	19	6	0	239
06:45	3	2	3	0	7	178	49	0	12	22	7	0	12	29	5	0	329
Total	27	26	27	0	18	487	113	0	34	60	17	0	30	126	19	0	984
07:00	4	2	8	0	19	176	33	0	13	16	8	0	12	31	5	0	327
07:15	4	5	6	0	12	251	51	1	24	26	13	0	12	58	7	0	470
07:30	7	5	9	0	7	194	29	1	34	20	16	0	13	60	12	0	407
07:45	14	6	7	0	10	185	34	0	26	29	13	0	19	57	18	1	419
Total	29	18	30	0	48	806	147	2	97	91	50	0	56	206	42	1	1623
08:00	8	4	9	0	7	174	41	0	21	14	9	0	8	50	5	0	350
08:15	5	0	7	0	9	148	26	0	11	10	5	0	16	41	12	0	290
08:30	7	9	6	0	5	135	27	0	14	17	12	0	11	52	7	0	302
08:45	13	7	5	0	11	131	16	0	10	13	12	0	21	35	10	0	284
Total	33	20	27	0	32	588	110	0	56	54	38	0	56	178	34	0	1226
*** BREAK ***																	
11:00	14	8	13	1	5	52	10	2	6	5	16	0	11	74	7	0	224
11:15	13	6	14	1	13	63	15	1	5	9	11	0	7	86	9	0	253
11:30	21	18	8	0	9	54	11	0	15	6	17	0	6	89	14	0	268
11:45	15	15	11	0	9	75	19	0	12	16	17	0	7	92	24	0	312
Total	63	47	46	2	36	244	55	3	38	36	61	0	31	341	54	0	1057
12:00	26	21	11	0	21	78	20	0	12	17	13	0	13	102	13	0	347
12:15	18	22	15	0	14	85	20	0	12	14	17	0	7	81	10	0	315
12:30	14	11	8	0	10	75	16	0	5	9	12	0	10	84	16	0	270
12:45	14	16	10	0	16	90	24	0	12	15	16	0	15	77	8	0	313
Total	72	70	44	0	61	328	80	0	41	55	58	0	45	344	47	0	1245
*** BREAK ***																	
15:00	17	14	4	0	14	66	16	0	10	10	11	14	5	152	11	0	344
15:15	19	6	21	0	7	68	23	0	12	6	21	0	4	105	10	0	302
15:30	22	14	16	0	15	91	18	0	15	4	22	0	7	98	7	1	330
15:45	23	10	15	0	10	89	18	0	6	2	15	0	6	121	11	0	326
Total	81	44	56	0	46	314	75	0	43	22	69	14	22	476	39	1	1302
16:00	35	26	21	0	11	101	6	0	20	7	11	0	5	152	18	0	413
16:15	12	19	17	0	15	76	5	0	12	2	13	0	2	123	15	1	312
16:30	42	23	15	0	17	93	6	0	11	1	24	0	6	183	25	2	448
16:45	22	10	21	0	11	89	5	0	12	3	19	0	4	164	11	0	371
Total	111	78	74	0	54	359	22	0	55	13	67	0	17	622	69	3	1544
17:00	18	9	26	0	14	87	6	0	14	0	28	0	5	201	18	0	426
17:15	17	11	11	0	15	102	9	0	12	3	18	0	4	177	12	0	391
17:30	27	5	10	0	13	83	5	0	10	3	19	0	4	151	14	0	344
17:45	14	5	18	0	9	73	7	0	6	6	13	2	6	126	22	0	307
Total	76	30	65	0	51	345	27	0	42	12	78	2	19	655	66	0	1468
Grand Total	492	333	369	2	346	3471	629	5	406	343	438	16	276	2948	370	5	10449
Apprch %	41.1	27.8	30.9	0.2	7.8	78	14.1	0.1	33.7	28.5	36.4	1.3	7.7	81.9	10.3	0.1	
Total %	4.7	3.2	3.5	0	3.3	33.2	6	0	3.9	3.3	4.2	0.2	2.6	28.2	3.5	0	

TRAFFIC DATA INC.

3268 Xenwood Ave S
St Louis Park, MN 55416

Cliff Rd E at 12th Ave S BURNSVILLE

File Name : Cliff Rd E at 12th Ave S 2009

Site Code : 01829135

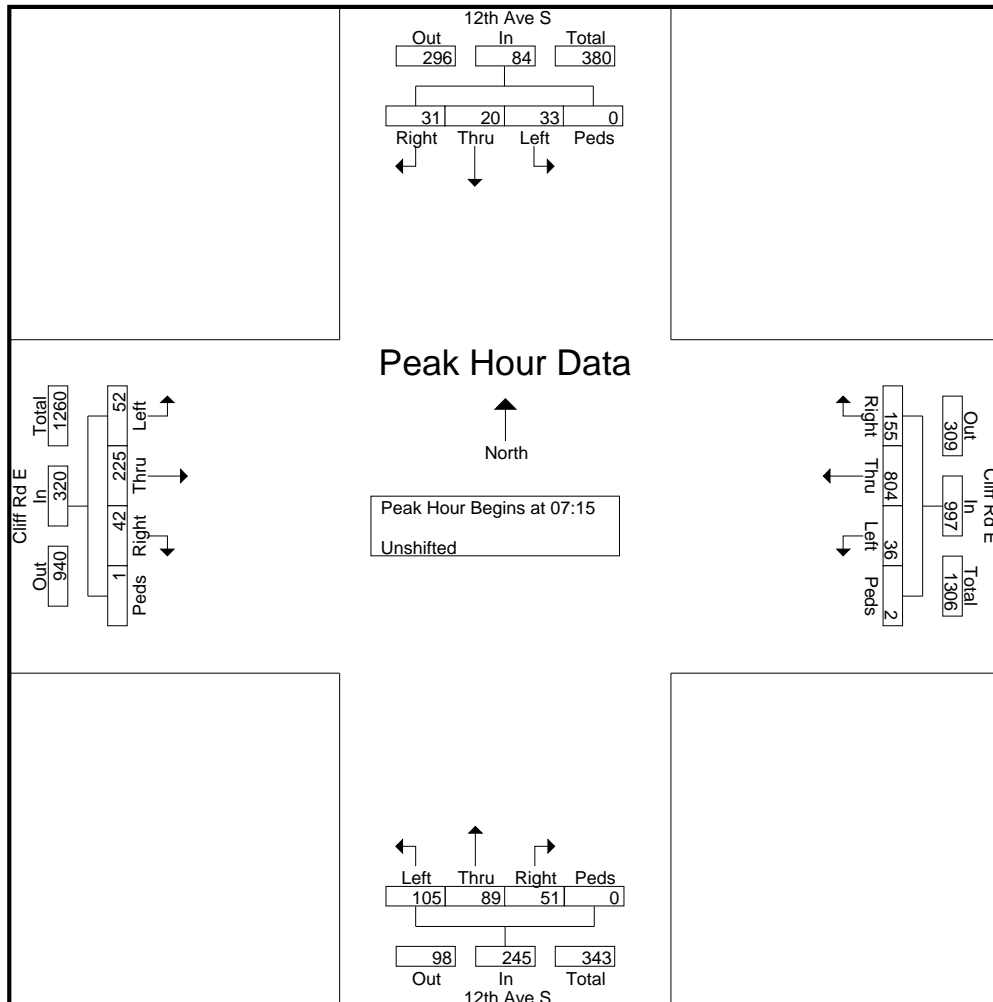
Data by: Traffic Data Inc

Start Date : 5/12/2009

TURN MOVEMENT COUNT

Page No : 2

Start Time	12th Ave S Southbound					Cliff Rd E Westbound					12th Ave S Northbound					Cliff Rd E Eastbound					Int. Total
	Left	Thru	Right	Peds	App. Total	Left	Thru	Right	Peds	App. Total	Left	Thru	Right	Peds	App. Total	Left	Thru	Right	Peds	App. Total	
Peak Hour Analysis From 06:00 to 08:45 - Peak 1 of 1																					
Peak Hour for Entire Intersection Begins at 07:15																					
07:15	4	5	6	0	15	12	251	51	1	315	24	26	13	0	63	12	58	7	0	77	470
07:30	7	5	9	0	21	7	194	29	1	231	34	20	16	0	70	13	60	12	0	85	407
07:45	14	6	7	0	27	10	185	34	0	229	26	29	13	0	68	19	57	18	1	95	419
08:00	8	4	9	0	21	7	174	41	0	222	21	14	9	0	44	8	50	5	0	63	350
Total Volume	33	20	31	0	84	36	804	155	2	997	105	89	51	0	245	52	225	42	1	320	1646
% App. Total	39.3	23.8	36.9	0		3.6	80.6	15.5	0.2		42.9	36.3	20.8	0		16.2	70.3	13.1	0.3		
PHF	.589	.833	.861	.000	.778	.750	.801	.760	.500	.791	.772	.767	.797	.000	.875	.684	.938	.583	.250	.842	.876



TRAFFIC DATA INC.

3268 Xenwood Ave S
St Louis Park, MN 55416

Cliff Rd E at 12th Ave S BURNSVILLE

File Name : Cliff Rd E at 12th Ave S 2009

Site Code : 01829135

Data by: Traffic Data Inc

Start Date : 5/12/2009

TURN MOVEMENT COUNT

Page No : 3

Start Time	12th Ave S Southbound					Cliff Rd E Westbound					12th Ave S Northbound					Cliff Rd E Eastbound					Int. Total
	Left	Thru	Right	Peds	App. Total	Left	Thru	Right	Peds	App. Total	Left	Thru	Right	Peds	App. Total	Left	Thru	Right	Peds	App. Total	

Peak Hour Analysis From 15:00 to 17:45 - Peak 1 of 1

Peak Hour for Entire Intersection Begins at 16:30

16:30	42	23	15	0	80	17	93	6	0	116	11	1	24	0	36	6	183	25	2	216	448
16:45	22	10	21	0	53	11	89	5	0	105	12	3	19	0	34	4	164	11	0	179	371
17:00	18	9	26	0	53	14	87	6	0	107	14	0	28	0	42	5	201	18	0	224	426
17:15	17	11	11	0	39	15	102	9	0	126	12	3	18	0	33	4	177	12	0	193	391
Total Volume	99	53	73	0	225	57	371	26	0	454	49	7	89	0	145	19	725	66	2	812	1636
% App. Total	44	23.6	32.4	0		12.6	81.7	5.7	0		33.8	4.8	61.4	0		2.3	89.3	8.1	0.2		
PHF	.589	.576	.702	.000	.703	.838	.909	.722	.000	.901	.875	.583	.795	.000	.863	.792	.902	.660	.250	.906	.913

