

TRAFFIC DATA INC.

3268 Xenwood Ave S
St Louis Park, MN 55416

TH-13 at Silver Bell Rd. , Eagan,MN
Ref.Pt.: 102.662

File Name : TH-13 at Silver Bell Rd 2009
Site Code : 01829140
Start Date : 5/19/2009
Page No : 1

TURN MOVEMENT COUNT

Groups Printed- Unshifted

Start Time	TH-13 Southbound				Silver Bell Rd Westbound				TH-13 Northbound				Silver Bell Rd Eastbound				Int. Total
	Left	Thru	Right	Peds	Left	Thru	Right	Peds	Left	Thru	Right	Peds	Left	Thru	Right	Peds	
06:00	8	72	7	0	46	14	9	0	10	99	14	0	9	2	11	0	301
06:15	9	86	11	2	51	11	20	0	21	169	18	1	3	0	8	0	410
06:30	5	96	15	0	83	17	23	0	10	188	20	0	10	2	12	0	481
06:45	7	107	28	0	83	25	30	0	29	292	20	0	5	4	15	0	645
Total	29	361	61	2	263	67	82	0	70	748	72	1	27	8	46	0	1837
07:00	9	115	20	1	124	30	29	0	14	238	26	0	12	4	21	0	643
07:15	8	138	14	0	115	28	39	1	16	316	28	0	14	6	16	0	739
07:30	16	133	33	0	105	28	48	3	22	381	23	0	12	3	10	0	817
07:45	19	126	25	1	105	36	35	0	50	429	28	0	22	5	17	0	898
Total	52	512	92	2	449	122	151	4	102	1364	105	0	60	18	64	0	3097
08:00	17	119	26	1	80	29	45	0	55	328	24	0	17	7	21	0	769
08:15	9	122	18	0	54	15	38	0	27	315	28	0	21	10	26	0	683
08:30	14	114	12	0	71	19	32	0	27	222	27	1	16	9	21	0	585
08:45	10	115	9	0	60	13	20	0	24	182	21	0	11	13	22	0	500
Total	50	470	65	1	265	76	135	0	133	1047	100	1	65	39	90	0	2537
*** BREAK ***																	
11:00	31	99	5	2	30	6	21	0	16	89	24	0	14	13	23	2	375
11:15	40	117	6	2	30	12	21	0	16	99	31	0	12	14	15	0	415
11:30	47	142	7	1	48	7	24	0	20	104	46	0	15	16	22	0	499
11:45	48	100	12	3	39	15	26	0	14	108	45	0	11	26	27	2	476
Total	166	458	30	8	147	40	92	0	66	400	146	0	52	69	87	4	1765
12:00	52	127	19	0	38	11	22	0	13	109	49	1	12	28	22	0	503
12:15	51	116	15	0	36	23	44	1	11	104	34	0	7	19	11	0	472
12:30	44	131	13	3	50	27	33	0	5	133	28	1	4	13	14	0	499
12:45	30	129	13	1	44	20	42	0	15	123	27	0	16	13	17	0	490
Total	177	503	60	4	168	81	141	1	44	469	138	2	39	73	64	0	1964
*** BREAK ***																	
15:00	33	185	14	0	46	11	19	0	17	137	70	0	13	9	25	0	579
15:15	30	165	20	1	47	19	25	0	21	112	76	0	15	11	24	0	566
15:30	24	317	13	0	45	18	18	0	27	139	1	0	29	37	58	0	726
15:45	33	234	13	0	31	18	14	1	14	131	64	0	10	16	26	0	605
Total	120	901	60	1	169	66	76	1	79	519	211	0	67	73	133	0	2476
16:00	34	310	10	2	39	7	9	1	26	150	73	0	11	23	34	0	729
16:15	35	277	24	3	40	15	11	0	18	116	80	0	20	30	30	2	701
16:30	50	455	16	0	44	13	25	0	14	158	84	0	26	22	43	0	950
16:45	85	356	15	1	48	11	11	1	24	138	84	0	20	10	39	0	843
Total	204	1398	65	6	171	46	56	2	82	562	321	0	77	85	146	2	3223
17:00	62	439	18	0	44	6	22	0	18	168	100	2	17	28	54	0	978
17:15	77	336	23	2	44	16	17	0	26	131	93	0	16	17	47	0	845
17:30	56	335	25	0	42	19	24	0	19	152	99	0	22	25	40	0	858
17:45	53	259	16	4	47	10	23	0	22	157	74	2	12	22	20	0	721
Total	248	1369	82	6	177	51	86	0	85	608	366	4	67	92	161	0	3402
Grand Total	1046	5972	515	30	1809	549	819	8	661	5717	1459	8	454	457	791	6	20301
Apprch %	13.8	79	6.8	0.4	56.8	17.2	25.7	0.3	8.4	72.9	18.6	0.1	26.6	26.8	46.3	0.4	
Total %	5.2	29.4	2.5	0.1	8.9	2.7	4	0	3.3	28.2	7.2	0	2.2	2.3	3.9	0	

TRAFFIC DATA INC.

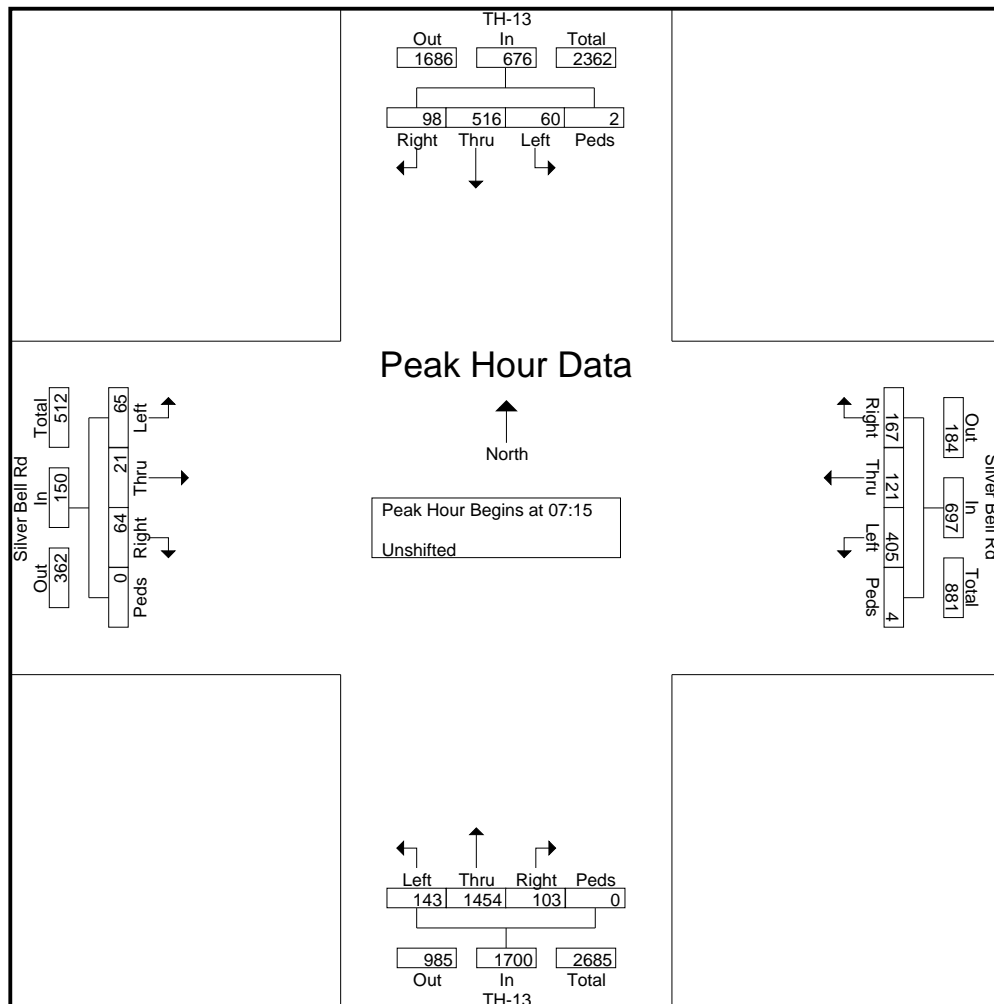
3268 Xenwood Ave S
St Louis Park, MN 55416

TH-13 at Silver Bell Rd. , Eagan,MN
Ref.Pt.: 102.662

File Name : TH-13 at Silver Bell Rd 2009
Site Code : 01829140
Start Date : 5/19/2009
Page No : 3

TURN MOVEMENT COUNT

Start Time	TH-13 Southbound					Silver Bell Rd Westbound					TH-13 Northbound					Silver Bell Rd Eastbound					Int. Total
	Left	Thru	Right	Peds	App. Total	Left	Thru	Right	Peds	App. Total	Left	Thru	Right	Peds	App. Total	Left	Thru	Right	Peds	App. Total	
Peak Hour Analysis From 06:00 to 08:45 - Peak 1 of 1																					
Peak Hour for Entire Intersection Begins at 07:15																					
07:15	8	138	14	0	160	115	28	39	1	183	16	316	28	0	360	14	6	16	0	36	739
07:30	16	133	33	0	182	105	28	48	3	184	22	381	23	0	426	12	3	10	0	25	817
07:45	19	126	25	1	171	105	36	35	0	176	50	429	28	0	507	22	5	17	0	44	898
08:00	17	119	26	1	163	80	29	45	0	154	55	328	24	0	407	17	7	21	0	45	769
Total Volume	60	516	98	2	676	405	121	167	4	697	143	1454	103	0	1700	65	21	64	0	150	3223
% App. Total	8.9	76.3	14.5	0.3		58.1	17.4	24	0.6		8.4	85.5	6.1	0		43.3	14	42.7	0		
PHF	.789	.935	.742	.500	.929	.880	.840	.870	.333	.947	.650	.847	.920	.000	.838	.739	.750	.762	.000	.833	.897



TRAFFIC DATA INC.

3268 Xenwood Ave S
St Louis Park, MN 55416

TH-13 at Silver Bell Rd. , Eagan,MN
Ref.Pt.: 102.662

File Name : TH-13 at Silver Bell Rd 2009
Site Code : 01829140
Start Date : 5/19/2009
Page No : 4

TURN MOVEMENT COUNT

Start Time	TH-13 Southbound					Silver Bell Rd Westbound					TH-13 Northbound					Silver Bell Rd Eastbound					Int. Total
	Left	Thru	Right	Peds	App. Total	Left	Thru	Right	Peds	App. Total	Left	Thru	Right	Peds	App. Total	Left	Thru	Right	Peds	App. Total	
16:30	50	455	16	0	521	44	13	25	0	82	14	158	84	0	256	26	22	43	0	91	950
16:45	85	356	15	1	457	48	11	11	1	71	24	138	84	0	246	20	10	39	0	69	843
17:00	62	439	18	0	519	44	6	22	0	72	18	168	100	2	288	17	28	54	0	99	978
17:15	77	336	23	2	438	44	16	17	0	77	26	131	93	0	250	16	17	47	0	80	845
Total Volume	274	1586	72	3	1935	180	46	75	1	302	82	595	361	2	1040	79	77	183	0	339	3616
% App. Total	14.2	82	3.7	0.2		59.6	15.2	24.8	0.3		7.9	57.2	34.7	0.2		23.3	22.7	54	0		
PHF	.806	.871	.783	.375	.929	.938	.719	.750	.250	.921	.788	.885	.903	.250	.903	.760	.688	.847	.000	.856	.924

Peak Hour Analysis From 15:00 to 17:45 - Peak 1 of 1
Peak Hour for Entire Intersection Begins at 16:30

