

MINNESOTA DEPARTMENT of TRANSPORTATION
DATA COLLECTION UNIT

TH-13 at Wachtler Ave_2019
Ref.Pt.: 110+00.464
Video by BW
TURN MOVEMENTS

File Name : TH-13 at Wachtler Ave_2019
Site Code :
Start Date : 12/23/2019
Page No : 1

Groups Printed- Cars + - Trucks

Start Time	N/A South Bound				TH 13 West Bound				Wachtler Avenue North Bound				TH 13 East Bound				Int. Total
	Right	Thru	Left	Peds	Right	Thru	Left	Peds	Right	Thru	Left	Peds	Right	Thru	Left	Peds	
06:00 AM	0	0	0	0	0	28	0	0	0	0	15	0	5	8	0	0	56
06:15 AM	0	0	0	0	0	50	0	0	1	0	13	0	0	18	0	0	82
06:30 AM	0	0	0	0	0	51	0	0	0	0	21	0	7	23	0	0	102
06:45 AM	0	0	0	0	0	82	0	0	1	0	27	0	4	30	0	0	144
Total	0	0	0	0	0	211	0	0	2	0	76	0	16	79	0	0	384
07:00 AM	0	0	0	0	0	77	0	0	0	0	31	0	3	45	0	0	156
07:15 AM	0	0	0	0	0	89	0	0	2	0	46	0	11	51	0	0	199
07:30 AM	0	0	0	0	0	106	1	0	2	0	59	0	18	34	0	0	220
07:45 AM	0	0	0	0	0	132	1	0	1	0	56	0	22	61	0	0	273
Total	0	0	0	0	0	404	2	0	5	0	192	0	54	191	0	0	848
08:00 AM	0	0	0	0	0	94	2	0	1	0	37	0	19	44	0	0	197
08:15 AM	0	0	0	0	0	77	1	0	1	0	41	0	15	44	0	0	179
08:30 AM	0	0	0	0	0	71	0	0	4	0	34	0	17	50	0	0	176
08:45 AM	0	0	0	0	0	66	1	0	1	0	38	0	13	43	0	0	162
Total	0	0	0	0	0	308	4	0	7	0	150	0	64	181	0	0	714
09:00 AM	0	0	0	0	0	55	1	0	1	0	22	0	13	29	0	0	121
09:15 AM	0	0	0	0	0	53	1	0	3	0	26	0	9	43	0	0	135
09:30 AM	0	0	0	0	0	32	0	0	0	0	28	0	20	30	0	0	110
09:45 AM	0	0	0	0	0	49	1	0	4	0	22	0	22	31	0	0	129
Total	0	0	0	0	0	189	3	0	8	0	98	0	64	133	0	0	495
10:00 AM	0	0	0	0	0	26	0	0	0	0	17	0	14	28	0	0	85
10:15 AM	0	0	0	0	0	41	1	0	1	0	22	0	20	21	0	0	106
10:30 AM	0	0	0	0	0	30	0	0	3	0	20	0	12	40	0	0	105
10:45 AM	0	0	0	0	0	33	1	0	0	0	21	0	17	30	0	0	102
Total	0	0	0	0	0	130	2	0	4	0	80	0	63	119	0	0	398
11:00 AM	0	0	0	0	0	40	1	0	0	0	14	0	20	35	0	0	110
11:15 AM	0	0	0	0	0	48	0	0	1	0	14	0	26	32	0	0	121
11:30 AM	0	0	0	0	0	52	1	0	1	0	16	0	31	44	0	0	145
11:45 AM	0	0	0	0	0	32	1	0	0	0	29	0	30	41	0	0	133
Total	0	0	0	0	0	172	3	0	2	0	73	0	107	152	0	0	509
12:00 PM	0	0	0	0	0	44	1	0	0	1	18	0	22	45	0	0	131
12:15 PM	0	0	0	0	0	44	0	0	1	0	22	0	25	50	0	0	142
12:30 PM	0	0	0	0	0	45	0	0	0	0	18	0	30	57	0	0	150
12:45 PM	0	0	0	0	0	46	0	0	0	0	17	0	30	41	0	0	134
Total	0	0	0	0	0	179	1	0	1	1	75	0	107	193	0	0	557
01:00 PM	0	0	0	0	0	53	0	0	4	0	29	0	29	41	0	0	156
01:15 PM	0	0	0	0	0	33	0	0	0	0	21	0	28	57	0	0	139
01:30 PM	0	0	0	0	0	51	0	0	2	0	23	0	22	51	0	0	149
01:45 PM	0	0	0	0	0	46	2	0	0	0	21	0	26	44	0	0	139
Total	0	0	0	0	0	183	2	0	6	0	94	0	105	193	0	0	583
02:00 PM	0	0	0	0	0	38	0	0	0	0	22	0	31	43	0	0	134
02:15 PM	0	0	0	0	0	50	0	0	1	0	19	0	24	48	0	0	142
02:30 PM	0	0	0	0	0	43	0	0	2	0	29	0	31	53	0	0	158
02:45 PM	0	0	0	0	0	53	1	0	2	0	21	0	42	73	0	0	192
Total	0	0	0	0	0	184	1	0	5	0	91	0	128	217	0	0	626

MINNESOTA DEPARTMENT of TRANSPORTATION
DATA COLLECTION UNIT

TH-13 at Wachtler Ave_2019
 Ref.Pt.: 110+00.464
 Video by BW
 TURN MOVEMENTS

File Name : TH-13 at Wachtler Ave_2019
 Site Code :
 Start Date : 12/23/2019
 Page No : 2

Groups Printed- Cars + - Trucks

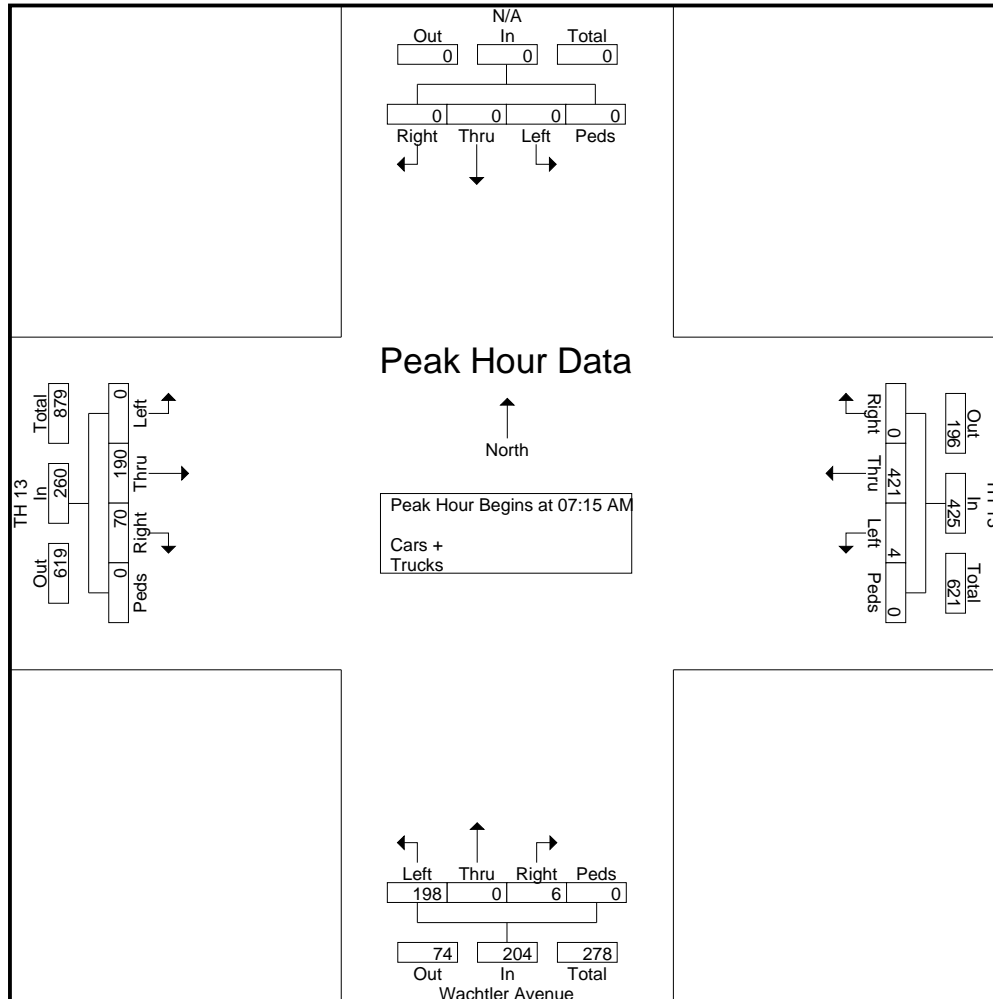
Start Time	N/A South Bound				TH 13 West Bound				Wachtler Avenue North Bound				TH 13 East Bound				Int. Total
	Right	Thru	Left	Peds	Right	Thru	Left	Peds	Right	Thru	Left	Peds	Right	Thru	Left	Peds	
03:00 PM	0	0	0	0	0	46	2	0	0	0	16	0	47	73	0	0	184
03:15 PM	0	0	0	0	0	47	2	0	0	0	22	0	43	84	0	0	198
03:30 PM	0	0	0	0	0	61	1	0	0	0	35	0	41	70	0	0	208
03:45 PM	0	0	0	0	0	69	0	0	2	0	29	0	42	75	0	0	217
Total	0	0	0	0	0	223	5	0	2	0	102	0	173	302	0	0	807
04:00 PM	0	0	0	0	0	93	0	0	1	0	24	0	54	94	0	0	266
04:15 PM	0	0	0	0	0	91	2	0	1	0	23	0	56	61	0	0	234
04:30 PM	0	0	0	0	0	117	1	0	0	0	19	0	53	87	0	0	277
04:45 PM	0	0	0	0	0	144	4	0	2	0	20	0	74	97	0	0	341
Total	0	0	0	0	0	445	7	0	4	0	86	0	237	339	0	0	1118
05:00 PM	0	0	0	0	0	127	3	0	1	0	24	0	57	93	0	0	305
05:15 PM	0	0	0	0	0	99	2	0	0	0	26	0	38	106	0	0	271
05:30 PM	0	0	0	0	0	71	1	0	0	0	22	0	41	89	0	0	224
05:45 PM	0	0	0	0	0	80	3	0	1	0	14	0	39	93	0	0	230
Total	0	0	0	0	0	377	9	0	2	0	86	0	175	381	0	0	1030
Grand Total	0	0	0	0	0	3005	39	0	48	1	1203	0	1293	2480	0	0	8069
Apprch %	0	0	0	0	0	98.7	1.3	0	3.8	0.1	96.1	0	34.3	65.7	0	0	
Total %	0	0	0	0	0	37.2	0.5	0	0.6	0	14.9	0	16	30.7	0	0	
Cars +	0	0	0	0	0	3005	38	0	48	1	1203	0	1293	2480	0	0	8068
% Cars +	0	0	0	0	0	100	97.4	0	100	100	100	0	100	100	0	0	100
Trucks	0	0	0	0	0	0	1	0	0	0	0	0	0	0	0	0	1
% Trucks	0	0	0	0	0	0	2.6	0	0	0	0	0	0	0	0	0	0

MINNESOTA DEPARTMENT of TRANSPORTATION
DATA COLLECTION UNIT

TH-13 at Wachtler Ave_2019
Ref.Pt.: 110+00.464
Video by BW
TURN MOVEMENTS

File Name : TH-13 at Wachtler Ave_2019
Site Code :
Start Date : 12/23/2019
Page No : 3

Start Time	N/A South Bound					TH 13 West Bound					Wachtler Avenue North Bound					TH 13 East Bound					Int. Total
	Right	Thru	Left	Peds	App. Total	Right	Thru	Left	Peds	App. Total	Right	Thru	Left	Peds	App. Total	Right	Thru	Left	Peds	App. Total	
Peak Hour Analysis From 06:00 AM to 11:45 AM - Peak 1 of 1																					
Peak Hour for Entire Intersection Begins at 07:15 AM																					
07:15 AM	0	0	0	0	0	0	89	0	0	89	2	0	46	0	48	11	51	0	0	62	199
07:30 AM	0	0	0	0	0	0	106	1	0	107	2	0	59	0	61	18	34	0	0	52	220
07:45 AM	0	0	0	0	0	0	132	1	0	133	1	0	56	0	57	22	61	0	0	83	273
08:00 AM	0	0	0	0	0	0	94	2	0	96	1	0	37	0	38	19	44	0	0	63	197
Total Volume	0	0	0	0	0	0	421	4	0	425	6	0	198	0	204	70	190	0	0	260	889
% App. Total	0	0	0	0	0	0	99.1	0.9	0		2.9	0	97.1	0		26.9	73.1	0	0		
PHF	.000	.000	.000	.000	.000	.000	.797	.500	.000	.799	.750	.000	.839	.000	.836	.795	.779	.000	.000	.783	.814



MINNESOTA DEPARTMENT of TRANSPORTATION
DATA COLLECTION UNIT

TH-13 at Wachtler Ave_2019
Ref.Pt.: 110+00.464
Video by BW
TURN MOVEMENTS

File Name : TH-13 at Wachtler Ave_2019
Site Code :
Start Date : 12/23/2019
Page No : 4

Start Time	N/A South Bound					TH 13 West Bound					Wachtler Avenue North Bound					TH 13 East Bound					Int. Total
	Right	Thru	Left	Peds	App. Total	Right	Thru	Left	Peds	App. Total	Right	Thru	Left	Peds	App. Total	Right	Thru	Left	Peds	App. Total	
Peak Hour Analysis From 12:00 PM to 05:45 PM - Peak 1 of 1																					
Peak Hour for Entire Intersection Begins at 04:30 PM																					
04:30 PM	0	0	0	0	0	0	117	1	0	118	0	0	19	0	19	53	87	0	0	140	277
04:45 PM	0	0	0	0	0	0	144	4	0	148	2	0	20	0	22	74	97	0	0	171	341
05:00 PM	0	0	0	0	0	0	127	3	0	130	1	0	24	0	25	57	93	0	0	150	305
05:15 PM	0	0	0	0	0	0	99	2	0	101	0	0	26	0	26	38	106	0	0	144	271
Total Volume	0	0	0	0	0	0	487	10	0	497	3	0	89	0	92	222	383	0	0	605	1194
% App. Total	0	0	0	0	0	0	98	2	0		3.3	0	96.7	0		36.7	63.3	0	0		
PHF	.000	.000	.000	.000	.000	.000	.845	.625	.000	.840	.375	.000	.856	.000	.885	.750	.903	.000	.000	.885	.875

