

# MN Dept of Transportation

TRAFFIC DATA COLLECTION - Metro

TH-169 at 36th Ave N NEW HOPE  
 Ref.Pt.: 133.626  
 video MC  
 TURN MOVEMENT COUNT

File Name : TH-169 at 36th Ave N EAST RAMP 2016  
 Site Code :  
 Start Date : 1/27/2016  
 Page No : 1

Groups Printed- Cars +

Start Time	ramp to TH-169 NB Southbound				36th Ave N Westbound				ramp from TH-169 NB Northbound				36th Ave N Eastbound				Int. Total
	Left	Thru	Right	Peds	Left	Thru	Right	Peds	Left	Thru	Right	Peds	Left	Thru	Right	Peds	
06:00	0	0	0	0	0	21	14	1	8	0	10	0	9	33	0	1	97
06:15	0	0	0	0	0	38	22	0	21	0	2	0	9	37	0	0	129
06:30	0	0	0	0	0	59	30	1	11	0	14	0	23	65	0	0	203
06:45	0	0	0	0	0	87	47	1	10	0	17	0	26	57	0	1	246
Total	0	0	0	0	0	205	113	3	50	0	43	0	67	192	0	2	675
07:00	0	0	0	0	0	150	59	0	23	0	35	0	32	96	0	0	395
07:15	0	0	0	0	0	131	47	1	34	0	23	0	39	131	0	0	406
07:30	0	0	0	0	0	74	68	1	21	0	30	0	43	131	0	0	368
07:45	0	0	0	0	0	102	71	7	38	0	25	0	45	167	0	0	455
Total	0	0	0	0	0	457	245	9	116	0	113	0	159	525	0	0	1624
08:00	0	0	0	0	0	116	66	3	33	0	29	0	41	156	0	1	445
08:15	0	0	0	0	0	65	53	3	10	0	24	0	45	93	0	0	293
08:30	0	0	0	0	0	59	56	1	19	0	28	0	20	63	0	0	246
08:45	0	0	0	0	0	66	58	0	14	1	18	0	27	60	0	0	244
Total	0	0	0	0	0	306	233	7	76	1	99	0	133	372	0	1	1228
09:00	0	0	0	0	0	56	50	1	20	0	26	0	29	65	0	0	247
09:15	0	0	0	0	0	58	59	0	30	0	19	0	11	77	0	0	254
09:30	0	0	0	0	0	54	38	1	17	2	23	0	16	64	0	0	215
09:45	0	0	0	0	0	49	47	0	19	1	19	0	14	43	0	1	193
Total	0	0	0	0	0	217	194	2	86	3	87	0	70	249	0	1	909
10:00	0	0	0	0	0	49	24	0	19	0	22	0	12	38	0	0	164
10:15	0	0	0	0	0	35	36	1	19	0	16	0	23	38	0	1	169
10:30	0	0	0	0	0	42	27	2	13	1	19	1	14	55	0	3	177
10:45	0	0	0	0	0	39	37	0	19	0	23	0	13	42	0	1	174
Total	0	0	0	0	0	165	124	3	70	1	80	1	62	173	0	5	684
11:00	0	0	0	0	0	41	38	1	21	1	21	0	13	40	0	0	176
11:15	0	0	0	0	0	41	32	1	19	1	15	0	24	66	0	0	199
11:30	0	0	0	0	0	35	31	1	28	2	29	0	15	47	0	0	188
11:45	0	0	0	0	0	41	44	0	18	0	18	0	14	57	0	0	192
Total	0	0	0	0	0	158	145	3	86	4	83	0	66	210	0	0	755
12:00	0	0	0	0	0	53	32	0	31	0	25	0	14	52	0	0	207
12:15	0	0	0	0	0	64	46	0	25	3	22	0	9	78	0	0	247
12:30	0	0	0	0	0	52	34	0	29	1	29	0	20	52	0	0	217
12:45	0	0	0	0	0	41	31	0	23	1	29	0	22	46	0	0	193
Total	0	0	0	0	0	210	143	0	108	5	105	0	65	228	0	0	864
13:00	0	0	0	0	0	48	25	0	31	1	22	0	13	56	0	0	196
13:15	0	0	0	0	1	46	43	0	25	1	18	0	11	56	0	0	201
13:30	0	0	0	0	0	37	42	0	22	0	26	0	13	61	0	0	201
13:45	0	0	0	0	0	52	34	0	32	0	35	0	19	60	0	0	232
Total	0	0	0	0	1	183	144	0	110	2	101	0	56	233	0	0	830
14:00	0	0	0	0	0	76	39	2	33	0	19	0	9	50	0	0	228
14:15	0	0	0	0	0	73	41	0	36	0	20	0	40	79	0	0	289
14:30	0	0	0	0	0	59	47	0	35	0	32	2	43	148	0	2	368
14:45	0	0	0	0	0	59	35	3	41	0	35	0	36	81	0	1	291
Total	0	0	0	0	0	267	162	5	145	0	106	2	128	358	0	3	1176
15:00	0	0	0	0	0	77	59	0	48	2	44	1	28	84	0	3	346
15:15	0	0	0	0	0	62	50	1	34	0	36	3	53	105	0	46	390
15:30	0	0	0	0	0	68	51	0	34	0	47	0	19	94	0	0	313
15:45	0	0	0	0	0	66	52	0	46	1	34	0	18	108	0	1	326
Total	0	0	0	0	0	273	212	1	162	3	161	4	118	391	0	50	1375

# MN Dept of Transportation

TRAFFIC DATA COLLECTION - Metro

TH-169 at 36th Ave N NEW HOPE  
 Ref.Pt.: 133.626  
 video MC  
 TURN MOVEMENT COUNT

File Name : TH-169 at 36th Ave N EAST RAMP 2016  
 Site Code :  
 Start Date : 1/27/2016  
 Page No : 2

Groups Printed- Cars +

Start Time	ramp to TH-169 NB Southbound				36th Ave N Westbound				ramp from TH-169 NB Northbound				36th Ave N Eastbound				Int. Total
	Left	Thru	Right	Peds	Left	Thru	Right	Peds	Left	Thru	Right	Peds	Left	Thru	Right	Peds	
16:00	0	0	0	0	0	99	36	3	54	0	33	0	25	97	0	4	351
16:15	0	0	0	0	0	91	38	1	50	1	37	0	27	115	0	4	364
16:30	0	0	0	0	0	86	42	0	46	2	37	0	16	85	0	6	320
16:45	0	0	0	0	0	86	38	2	45	0	37	0	25	111	0	3	347
Total	0	0	0	0	0	362	154	6	195	3	144	0	93	408	0	17	1382
17:00	0	0	0	0	0	91	38	1	52	0	28	0	19	125	0	2	356
17:15	0	0	0	0	0	81	42	0	50	1	34	0	20	134	0	1	363
17:30	0	0	0	0	0	84	42	0	57	1	36	1	11	103	0	1	336
17:45	0	0	0	0	0	69	42	0	51	2	40	1	15	129	0	0	349
Total	0	0	0	0	0	325	164	1	210	4	138	2	65	491	0	4	1404
Grand Total	0	0	0	0	1	3128	2033	40	1414	26	1260	9	1082	3830	0	83	12906
Apprch %	0	0	0	0	0	60.1	39.1	0.8	52.2	1	46.5	0.3	21.7	76.7	0	1.7	
Total %	0	0	0	0	0	24.2	15.8	0.3	11	0.2	9.8	0.1	8.4	29.7	0	0.6	

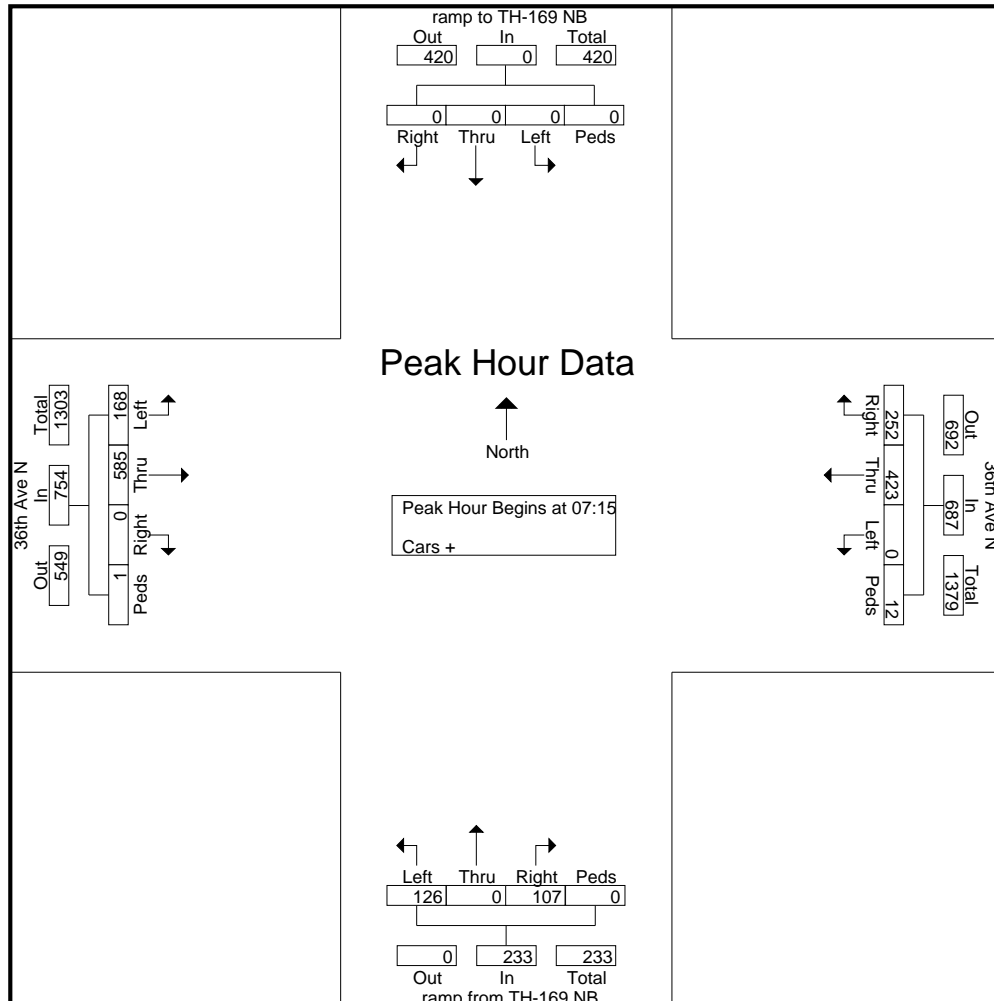
# MN Dept of Transportation

TRAFFIC DATA COLLECTION - Metro

TH-169 at 36th Ave N NEW HOPE  
 Ref.Pt.: 133.626  
 video MC  
 TURN MOVEMENT COUNT

File Name : TH-169 at 36th Ave N EAST RAMP 2016  
 Site Code :  
 Start Date : 1/27/2016  
 Page No : 3

Start Time	ramp to TH-169 NB Southbound					36th Ave N Westbound					ramp from TH-169 NB Northbound					36th Ave N Eastbound					Int. Total
	Left	Thru	Right	Peds	App. Total	Left	Thru	Right	Peds	App. Total	Left	Thru	Right	Peds	App. Total	Left	Thru	Right	Peds	App. Total	
Peak Hour Analysis From 06:00 to 08:45 - Peak 1 of 1																					
Peak Hour for Entire Intersection Begins at 07:15																					
07:15	0	0	0	0	0	0	131	47	1	179	34	0	23	0	57	39	131	0	0	170	406
07:30	0	0	0	0	0	0	74	68	1	143	21	0	30	0	51	43	131	0	0	174	368
07:45	0	0	0	0	0	0	102	71	7	180	38	0	25	0	63	45	167	0	0	212	455
08:00	0	0	0	0	0	0	116	66	3	185	33	0	29	0	62	41	156	0	1	198	445
Total Volume	0	0	0	0	0	0	423	252	12	687	126	0	107	0	233	168	585	0	1	754	1674
% App. Total	0	0	0	0	0	0	61.6	36.7	1.7		54.1	0	45.9	0		22.3	77.6	0	0.1		
PHF	.000	.000	.000	.000	.000	.000	.807	.887	.429	.928	.829	.000	.892	.000	.925	.933	.876	.000	.250	.889	.920



# MN Dept of Transportation

TRAFFIC DATA COLLECTION - Metro

TH-169 at 36th Ave N NEW HOPE  
 Ref.Pt.: 133.626  
 video MC  
 TURN MOVEMENT COUNT

File Name : TH-169 at 36th Ave N EAST RAMP 2016  
 Site Code :  
 Start Date : 1/27/2016  
 Page No : 4

Start Time	ramp to TH-169 NB Southbound					36th Ave N Westbound					ramp from TH-169 NB Northbound					36th Ave N Eastbound					Int. Total
	Left	Thru	Right	Peds	App. Total	Left	Thru	Right	Peds	App. Total	Left	Thru	Right	Peds	App. Total	Left	Thru	Right	Peds	App. Total	
Peak Hour Analysis From 15:00 to 17:45 - Peak 1 of 1																					
Peak Hour for Entire Intersection Begins at 17:00																					
17:00	0	0	0	0	0	0	91	38	1	130	52	0	28	0	80	19	125	0	2	146	356
17:15	0	0	0	0	0	0	81	42	0	123	50	1	34	0	85	20	134	0	1	155	363
17:30	0	0	0	0	0	0	84	42	0	126	57	1	36	1	95	11	103	0	1	115	336
17:45	0	0	0	0	0	0	69	42	0	111	51	2	40	1	94	15	129	0	0	144	349
Total Volume	0	0	0	0	0	0	325	164	1	490	210	4	138	2	354	65	491	0	4	560	1404
% App. Total	0	0	0	0	0	0	66.3	33.5	0.2		59.3	1.1	39	0.6		11.6	87.7	0	0.7		
PHF	.000	.000	.000	.000	.000	.000	.893	.976	.250	.942	.921	.500	.863	.500	.932	.813	.916	.000	.500	.903	.967

