



# MINNESOTA DEPT OF TRANSPORTATION

## TRAFFIC DATA COLLECTION - METRO

Location: TH 169 @ 117th 2006  
 REF. PT.: 144+00.051  
 Jamar# 1358/MAR  
 TURN MOVEMENT COUNT

File Name : TH169@-1  
 Site Code : 00000000  
 Start Date : 5/24/2006  
 Page No : 1

### Groups Printed- Cars & Trucks

Start Time	TH 169 Southbound					117TH ST Westbound					TH 169 Northbound					117TH ST Eastbound					Int. Total
	LEFT	THRU	RIGHT	Peds	App. Total	LEFT	THRU	RIGHT	Peds	App. Total	LEFT	THRU	RIGHT	Peds	App. Total	LEFT	THRU	RIGHT	Peds	App. Total	
06:00	8	396	1	0	405	16	7	8	0	31	1	94	7	0	102	1	5	0	1	7	545
06:15	4	558	2	0	564	9	5	9	0	23	1	140	5	0	146	4	3	3	0	10	743
06:30	3	504	3	0	510	6	6	12	0	24	2	172	2	0	176	1	8	4	0	13	723
06:45	8	585	3	0	596	2	4	21	1	28	2	186	8	1	197	5	13	7	0	25	846
Total	23	2043	9	0	2075	33	22	50	1	106	6	592	22	1	621	11	29	14	1	55	2857
07:00	11	561	4	0	576	10	1	9	0	20	1	204	13	0	218	4	12	4	0	20	834
07:15	6	554	5	0	565	11	6	12	0	29	4	253	20	2	279	5	14	6	0	25	898
07:30	11	554	10	0	575	11	7	22	0	40	4	249	19	0	272	8	11	8	0	27	914
07:45	10	528	3	0	541	17	12	30	0	59	4	272	7	0	283	2	12	7	0	21	904
Total	38	2197	22	0	2257	49	26	73	0	148	13	978	59	2	1052	19	49	25	0	93	3550
08:00	11	450	2	0	463	6	5	19	0	30	5	199	7	0	211	1	9	3	0	13	717
08:15	10	397	7	0	414	4	10	15	0	29	2	202	13	0	217	3	5	5	0	13	673
08:30	6	364	6	0	376	13	4	15	0	32	5	220	14	0	239	3	6	9	0	18	665
08:45	10	312	4	0	326	7	5	13	0	25	3	199	8	0	210	4	7	3	0	14	575
Total	37	1523	19	0	1579	30	24	62	0	116	15	820	42	0	877	11	27	20	0	58	2630
11:00	12	208	8	0	228	8	12	21	0	41	9	266	4	0	279	6	15	7	0	28	576
11:15	16	294	8	0	318	8	6	14	0	28	5	399	13	0	417	3	5	11	0	19	782
11:30	26	301	10	0	337	7	4	33	1	45	11	320	6	0	337	4	9	9	0	22	741
11:45	24	383	12	0	419	9	20	27	0	56	7	366	13	0	386	8	12	8	0	28	889
Total	78	1186	38	0	1302	32	42	95	1	170	32	1351	36	0	1419	21	41	35	0	97	2988
12:00	22	327	11	0	360	6	6	25	1	38	12	415	16	0	443	4	12	5	0	21	862
12:15	30	313	12	0	355	14	10	32	0	56	14	423	13	0	450	8	5	12	1	26	887
12:30	18	333	13	0	364	16	19	27	0	62	6	464	15	1	486	13	16	9	0	38	950
12:45	15	353	8	0	376	6	10	18	5	39	8	378	9	0	395	4	8	9	0	21	831
Total	85	1326	44	0	1455	42	45	102	6	195	40	1680	53	1	1774	29	41	35	1	106	3530
15:00	19	287	11	0	317	8	16	37	0	61	11	423	10	1	445	11	14	19	0	44	867
15:15	15	280	11	0	306	8	10	38	0	56	4	474	20	0	498	12	11	5	0	28	888
15:30	30	304	5	0	339	7	17	33	0	57	12	479	25	0	516	6	18	18	0	42	954
15:45	26	318	13	1	358	20	18	31	0	69	13	486	25	0	524	11	22	12	1	46	997
Total	90	1189	40	1	1320	43	61	139	0	243	40	1862	80	1	1983	40	65	54	1	160	3706
16:00	27	234	9	0	270	9	29	37	0	75	10	468	47	0	525	13	20	8	0	41	911
16:15	22	301	15	0	338	12	28	52	0	92	18	463	37	0	518	5	22	6	1	34	982
16:30	42	308	9	0	359	53	34	65	0	152	13	441	41	0	495	8	17	12	0	37	1043
16:45	18	315	9	0	342	17	36	70	0	123	15	439	26	0	480	6	25	21	0	52	997
Total	109	1158	42	0	1309	91	127	224	0	442	56	1811	151	0	2018	32	84	47	1	164	3933
17:00	16	284	11	0	311	17	34	40	0	91	10	390	35	0	435	5	29	16	0	50	887
17:15	26	317	11	0	354	19	31	39	0	89	8	344	87	1	440	10	20	16	1	47	930
17:30	52	299	13	0	364	13	22	50	0	85	28	417	36	0	481	9	35	16	0	60	990
17:45	45	294	23	0	362	12	35	47	0	94	9	401	28	0	438	11	25	10	0	46	940
Total	139	1194	58	0	1391	61	122	176	0	359	55	1552	186	1	1794	35	109	58	1	203	3747
Grand Total	599	11816	272	1	12688	381	469	921	8	1779	257	10646	629	6	11538	198	445	288	5	936	26941
Apprch %	4.7	93.1	2.1	0		21.4	26.4	51.8	0.4		2.2	92.3	5.5	0.1		21.2	47.5	30.8	0.5		
Total %	2.2	43.9	1	0	47.1	1.4	1.7	3.4	0	6.6	1	39.5	2.3	0	42.8	0.7	1.7	1.1	0	3.5	

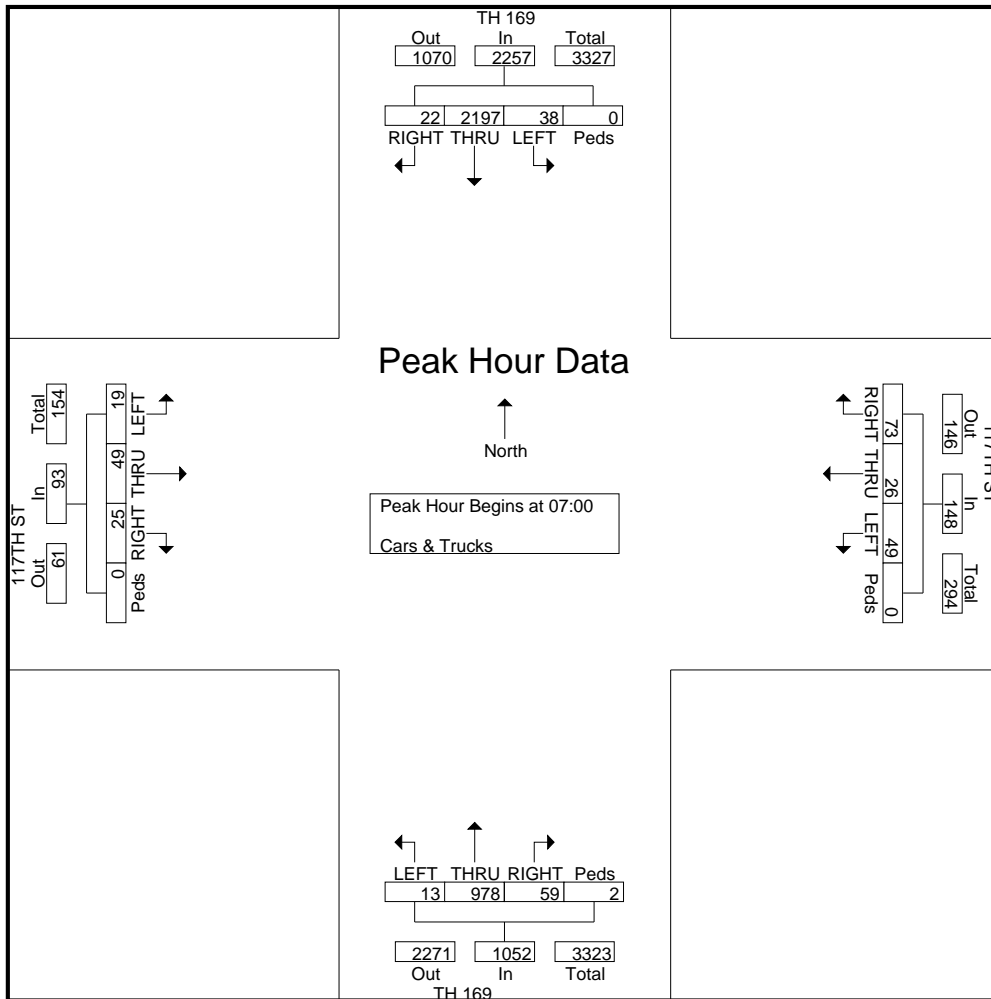


# MINNESOTA DEPT OF TRANSPORTATION

## TRAFFIC DATA COLLECTION - METRO

File Name : TH169@-1  
 Site Code : 00000000  
 Start Date : 5/24/2006  
 Page No : 2

Start Time	TH 169 Southbound					117TH ST Westbound					TH 169 Northbound					117TH ST Eastbound					Int. Total
	LEFT	THRU	RIGHT	Peds	App. Total	LEFT	THRU	RIGHT	Peds	App. Total	LEFT	THRU	RIGHT	Peds	App. Total	LEFT	THRU	RIGHT	Peds	App. Total	
Peak Hour Analysis From 06:00 to 09:45 - Peak 1 of 1																					
Peak Hour for Entire Intersection Begins at 07:00																					
07:00	11	561	4	0	576	10	1	9	0	20	1	204	13	0	218	4	12	4	0	20	834
07:15	6	554	5	0	565	11	6	12	0	29	4	253	20	2	279	5	14	6	0	25	898
07:30	11	554	10	0	575	11	7	22	0	40	4	249	19	0	272	8	11	8	0	27	914
07:45	10	528	3	0	541	17	12	30	0	59	4	272	7	0	283	2	12	7	0	21	904
Total Volume	38	2197	22	0	2257	49	26	73	0	148	13	978	59	2	1052	19	49	25	0	93	3550
% App. Total	1.7	97.3	1	0		33.1	17.6	49.3	0		1.2	93	5.6	0.2		20.4	52.7	26.9	0		
PHF	.864	.979	.550	.000	.980	.721	.542	.608	.000	.627	.813	.899	.738	.250	.929	.594	.875	.781	.000	.861	.971



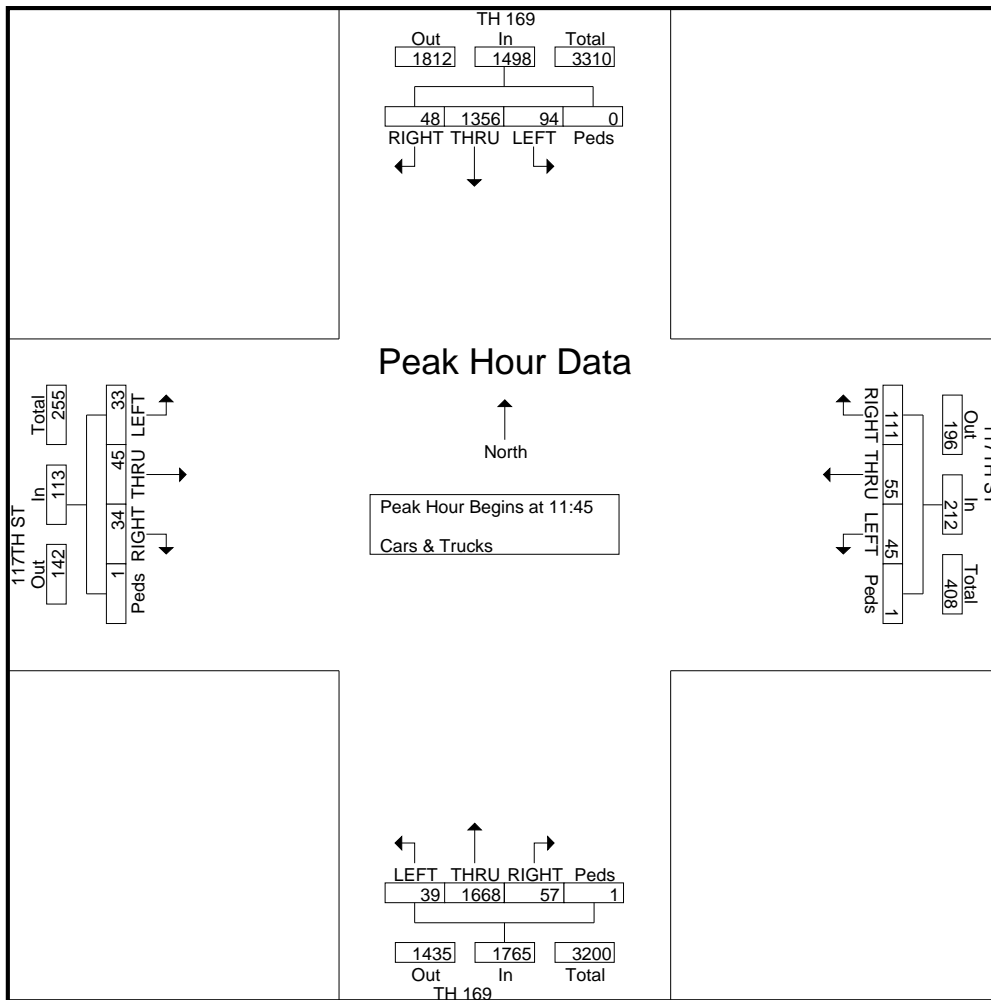


# MINNESOTA DEPT OF TRANSPORTATION

## TRAFFIC DATA COLLECTION - METRO

File Name : TH169@-1  
 Site Code : 00000000  
 Start Date : 5/24/2006  
 Page No : 3

Start Time	TH 169 Southbound					117TH ST Westbound					TH 169 Northbound					117TH ST Eastbound					Int. Total
	LEFT	THRU	RIGHT	Peds	App. Total	LEFT	THRU	RIGHT	Peds	App. Total	LEFT	THRU	RIGHT	Peds	App. Total	LEFT	THRU	RIGHT	Peds	App. Total	
Peak Hour Analysis From 10:00 to 13:45 - Peak 1 of 1																					
Peak Hour for Entire Intersection Begins at 11:45																					
11:45	24	<b>383</b>	12	0	<b>419</b>	9	<b>20</b>	27	0	56	7	366	13	0	386	8	12	8	0	28	889
12:00	22	327	11	0	360	6	6	25	<b>1</b>	38	12	415	<b>16</b>	0	443	4	12	5	0	21	862
12:15	<b>30</b>	313	12	0	355	14	10	<b>32</b>	0	56	<b>14</b>	423	13	0	450	8	5	<b>12</b>	<b>1</b>	26	887
12:30	18	333	<b>13</b>	0	364	<b>16</b>	19	27	0	<b>62</b>	6	<b>464</b>	15	<b>1</b>	<b>486</b>	<b>13</b>	<b>16</b>	9	0	<b>38</b>	<b>950</b>
Total Volume	94	1356	48	0	1498	45	55	111	1	212	39	1668	57	1	1765	33	45	34	1	113	3588
% App. Total	6.3	90.5	3.2	0		21.2	25.9	52.4	0.5		2.2	94.5	3.2	0.1		29.2	39.8	30.1	0.9		
PHF	.783	.885	.923	.000	.894	.703	.688	.867	.250	.855	.696	.899	.891	.250	.908	.635	.703	.708	.250	.743	.944





# MINNESOTA DEPT OF TRANSPORTATION

## TRAFFIC DATA COLLECTION - METRO

File Name : TH169@-1  
 Site Code : 00000000  
 Start Date : 5/24/2006  
 Page No : 4

Start Time	TH 169 Southbound					117TH ST Westbound					TH 169 Northbound					117TH ST Eastbound					Int. Total
	LEFT	THRU	RIGHT	Peds	App. Total	LEFT	THRU	RIGHT	Peds	App. Total	LEFT	THRU	RIGHT	Peds	App. Total	LEFT	THRU	RIGHT	Peds	App. Total	
Peak Hour Analysis From 14:00 to 17:45 - Peak 1 of 1																					
Peak Hour for Entire Intersection Begins at 15:45																					
15:45	26	<b>318</b>	13	1	358	20	18	31	0	69	13	<b>486</b>	25	0	524	11	<b>22</b>	<b>12</b>	1	<b>46</b>	997
16:00	27	234	9	0	270	9	29	37	0	75	10	468	<b>47</b>	0	<b>525</b>	<b>13</b>	20	8	0	41	911
16:15	22	301	<b>15</b>	0	338	12	28	52	0	92	<b>18</b>	463	37	0	518	5	22	6	1	34	982
16:30	<b>42</b>	308	9	0	<b>359</b>	<b>53</b>	<b>34</b>	<b>65</b>	0	<b>152</b>	13	441	41	0	495	8	17	12	0	37	<b>1043</b>
Total Volume	117	1161	46	1	1325	94	109	185	0	388	54	1858	150	0	2062	37	81	38	2	158	3933
% App. Total	8.8	87.6	3.5	0.1		24.2	28.1	47.7	0		2.6	90.1	7.3	0		23.4	51.3	24.1	1.3		
PHF	.696	.913	.767	.250	.923	.443	.801	.712	.000	.638	.750	.956	.798	.000	.982	.712	.920	.792	.500	.859	.943

