



MINNESOTA DEPT OF TRANSPORTATION

TRAFFIC DATA COLLECTION - METRO

Location: TH 169 @ 120th AVE 2006
 REF. PT.: 144+00.531
 JAMAR#T-1385/MAR
 TURN MOVEMENT COUNT

File Name : TH 169 @ 120th AV 2006
 Site Code : 00000000
 Start Date : 8/3/2006
 Page No : 1

Groups Printed- CARS & TRUCKS

| Start Time | TH 169 Southbound | | | | 120th AVE Westbound | | | | TH 169 Northbound | | | | 120th AVE Eastbound | | | | Int. Total |
|---------------|-------------------|------|-------|------|---------------------|------|-------|------|-------------------|------|-------|------|---------------------|------|-------|------|------------|
| | Left | Thru | Right | Peds | Left | Thru | Right | Peds | Left | Thru | Right | Peds | Left | Thru | Right | Peds | |
| 06:00 | 6 | 446 | 14 | 0 | 5 | 0 | 0 | 0 | 8 | 74 | 5 | 0 | 3 | 0 | 22 | 0 | 583 |
| 06:15 | 2 | 507 | 28 | 0 | 12 | 2 | 1 | 0 | 9 | 126 | 3 | 0 | 5 | 1 | 34 | 0 | 730 |
| 06:30 | 5 | 514 | 25 | 0 | 15 | 3 | 1 | 0 | 18 | 147 | 4 | 0 | 3 | 2 | 28 | 0 | 765 |
| 06:45 | 9 | 542 | 28 | 0 | 7 | 3 | 1 | 1 | 15 | 172 | 9 | 0 | 2 | 4 | 29 | 0 | 822 |
| Total | 22 | 2009 | 95 | 0 | 39 | 8 | 3 | 1 | 50 | 519 | 21 | 0 | 13 | 7 | 113 | 0 | 2900 |
| 07:00 | 2 | 511 | 16 | 0 | 17 | 6 | 2 | 0 | 10 | 161 | 7 | 0 | 5 | 1 | 31 | 0 | 769 |
| 07:15 | 3 | 474 | 15 | 1 | 11 | 6 | 1 | 0 | 13 | 199 | 9 | 0 | 10 | 2 | 42 | 1 | 787 |
| 07:30 | 5 | 496 | 26 | 1 | 19 | 4 | 0 | 0 | 21 | 245 | 8 | 0 | 7 | 1 | 40 | 0 | 873 |
| 07:45 | 6 | 440 | 29 | 0 | 11 | 7 | 3 | 0 | 31 | 216 | 25 | 1 | 8 | 2 | 31 | 0 | 810 |
| Total | 16 | 1921 | 86 | 2 | 58 | 23 | 6 | 0 | 75 | 821 | 49 | 1 | 30 | 6 | 144 | 1 | 3239 |
| 08:00 | 6 | 397 | 18 | 0 | 19 | 2 | 4 | 0 | 24 | 194 | 14 | 0 | 5 | 6 | 53 | 0 | 742 |
| 08:15 | 10 | 343 | 25 | 0 | 22 | 8 | 8 | 1 | 19 | 196 | 15 | 0 | 7 | 3 | 30 | 0 | 687 |
| 08:30 | 14 | 315 | 18 | 0 | 16 | 8 | 4 | 0 | 19 | 183 | 15 | 0 | 10 | 4 | 38 | 0 | 644 |
| 08:45 | 10 | 286 | 30 | 0 | 20 | 7 | 7 | 0 | 26 | 214 | 21 | 0 | 9 | 7 | 26 | 0 | 663 |
| Total | 40 | 1341 | 91 | 0 | 77 | 25 | 23 | 1 | 88 | 787 | 65 | 0 | 31 | 20 | 147 | 0 | 2736 |
| *** BREAK *** | | | | | | | | | | | | | | | | | |
| 15:00 | 14 | 230 | 16 | 1 | 39 | 27 | 19 | 1 | 40 | 434 | 44 | 0 | 8 | 24 | 38 | 1 | 936 |
| 15:15 | 16 | 230 | 11 | 0 | 39 | 13 | 15 | 2 | 34 | 448 | 46 | 0 | 7 | 18 | 37 | 0 | 916 |
| 15:30 | 23 | 261 | 26 | 0 | 26 | 26 | 9 | 1 | 33 | 425 | 59 | 0 | 16 | 14 | 36 | 0 | 955 |
| 15:45 | 19 | 233 | 18 | 5 | 49 | 21 | 18 | 0 | 47 | 427 | 44 | 0 | 10 | 13 | 24 | 4 | 932 |
| Total | 72 | 954 | 71 | 6 | 153 | 87 | 61 | 4 | 154 | 1734 | 193 | 0 | 41 | 69 | 135 | 5 | 3739 |
| 16:00 | 10 | 226 | 22 | 7 | 37 | 11 | 19 | 5 | 38 | 425 | 63 | 0 | 20 | 20 | 35 | 6 | 944 |
| 16:15 | 19 | 191 | 22 | 2 | 38 | 23 | 27 | 5 | 44 | 429 | 57 | 0 | 10 | 32 | 34 | 1 | 934 |
| 16:30 | 16 | 283 | 27 | 0 | 43 | 21 | 36 | 0 | 47 | 457 | 57 | 0 | 8 | 18 | 38 | 0 | 1051 |
| 16:45 | 24 | 277 | 18 | 0 | 44 | 13 | 23 | 0 | 33 | 386 | 56 | 0 | 14 | 17 | 30 | 0 | 935 |
| Total | 69 | 977 | 89 | 9 | 162 | 68 | 105 | 10 | 162 | 1697 | 233 | 0 | 52 | 87 | 137 | 7 | 3864 |
| 17:00 | 19 | 262 | 18 | 1 | 37 | 16 | 14 | 0 | 41 | 374 | 74 | 0 | 12 | 17 | 32 | 1 | 918 |
| 17:15 | 19 | 242 | 17 | 2 | 40 | 27 | 16 | 0 | 41 | 404 | 62 | 0 | 7 | 14 | 33 | 0 | 924 |
| 17:30 | 13 | 251 | 20 | 0 | 52 | 13 | 20 | 1 | 48 | 407 | 64 | 0 | 15 | 20 | 31 | 2 | 957 |
| 17:45 | 14 | 267 | 29 | 0 | 41 | 22 | 19 | 1 | 55 | 375 | 69 | 0 | 19 | 16 | 33 | 0 | 960 |
| Total | 65 | 1022 | 84 | 3 | 170 | 78 | 69 | 2 | 185 | 1560 | 269 | 0 | 53 | 67 | 129 | 3 | 3759 |
| Grand Total | 284 | 8224 | 516 | 20 | 659 | 289 | 267 | 18 | 714 | 7118 | 830 | 1 | 220 | 256 | 805 | 16 | 20237 |
| Apprch % | 3.1 | 90.9 | 5.7 | 0.2 | 53.4 | 23.4 | 21.7 | 1.5 | 8.2 | 82.2 | 9.6 | 0 | 17 | 19.7 | 62.1 | 1.2 | |
| Total % | 1.4 | 40.6 | 2.5 | 0.1 | 3.3 | 1.4 | 1.3 | 0.1 | 3.5 | 35.2 | 4.1 | 0 | 1.1 | 1.3 | 4 | 0.1 | |

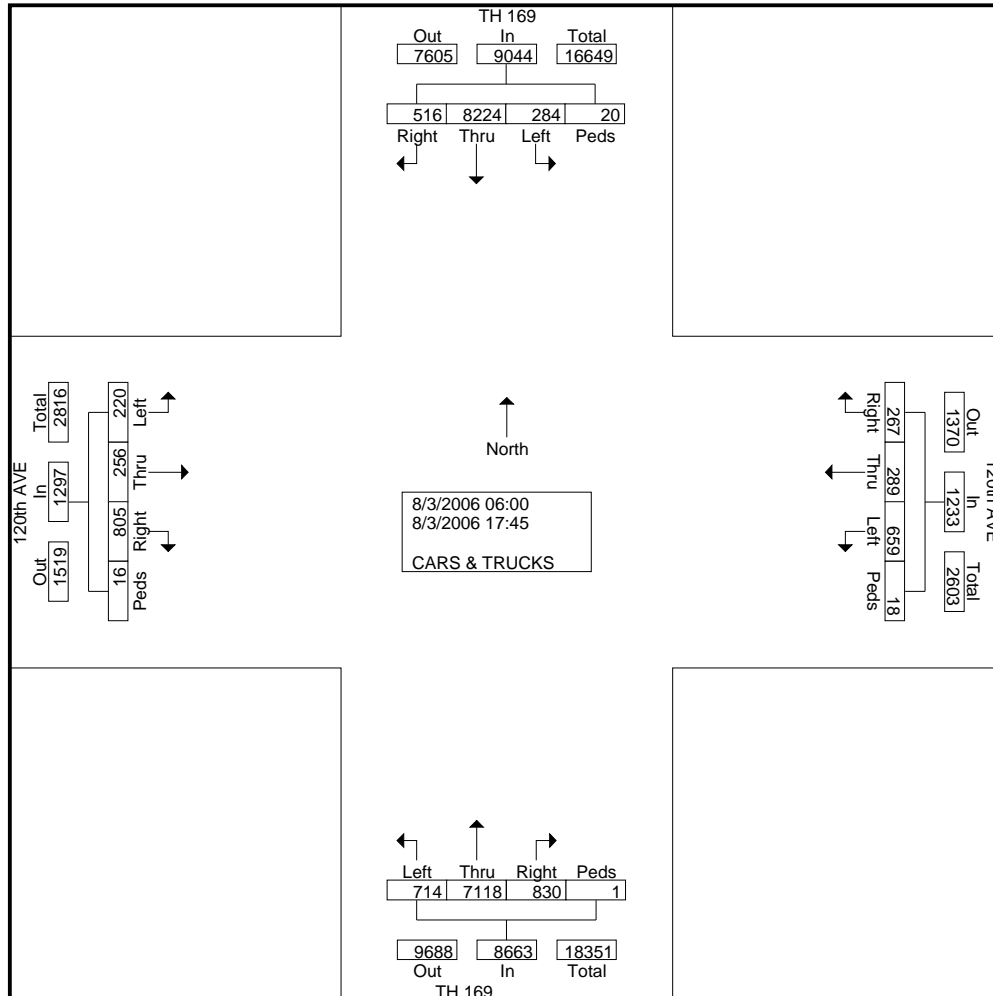


MINNESOTA DEPT OF TRANSPORTATION

TRAFFIC DATA COLLECTION - METRO

Location: TH 169 @ 120th AVE 2006
 REF. PT.: 144+00.531
 JAMAR#T-1385/MAR
 TURN MOVEMENT COUNT

File Name : TH 169 @ 120th AV 2006
 Site Code : 00000000
 Start Date : 8/3/2006
 Page No : 2





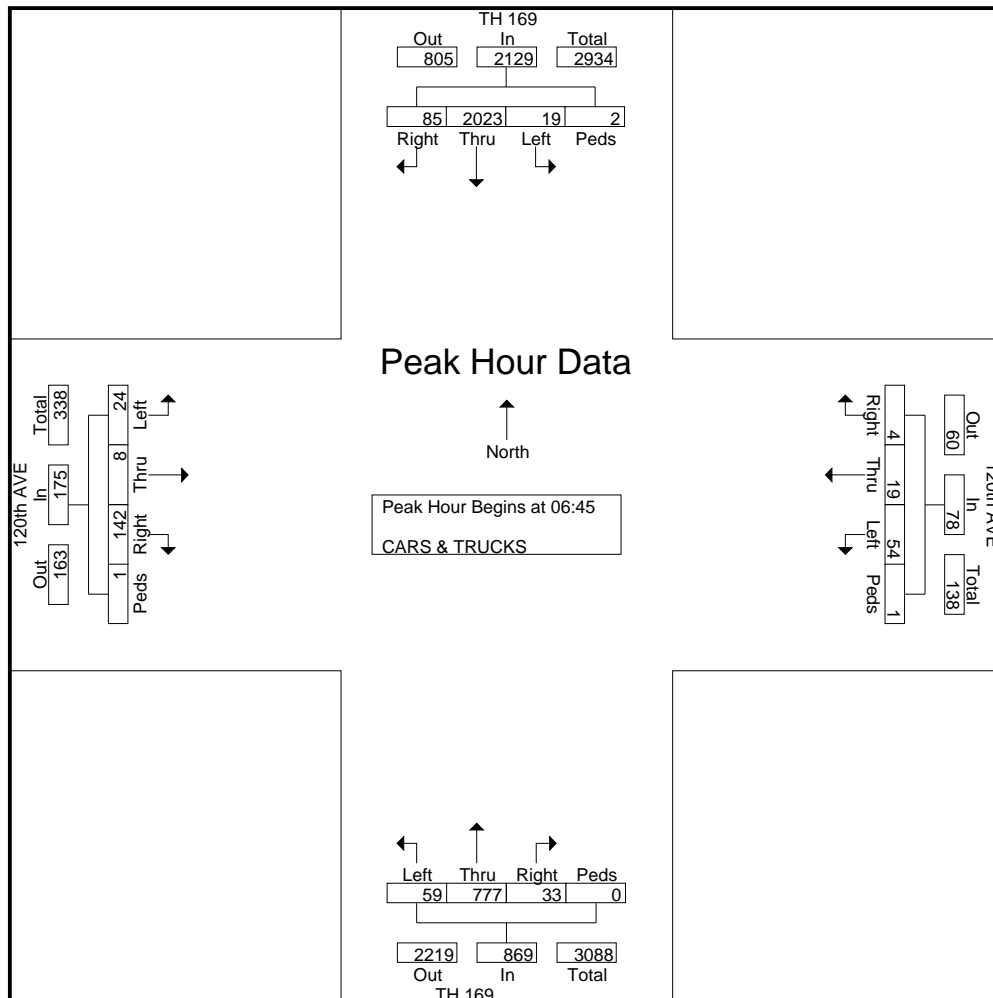
MINNESOTA DEPT OF TRANSPORTATION

TRAFFIC DATA COLLECTION - METRO

Location: TH 169 @ 120th AVE 2006
 REF. PT.: 144+00.531
 JAMAR#T-1385/MAR
 TURN MOVEMENT COUNT

File Name : TH 169 @ 120th AV 2006
 Site Code : 00000000
 Start Date : 8/3/2006
 Page No : 3

| Start Time | TH 169 Southbound | | | | | 120th AVE Westbound | | | | | TH 169 Northbound | | | | | 120th AVE Eastbound | | | | | Int. Total |
|--|-------------------|------|-------|------|------------|---------------------|------|-------|------|------------|-------------------|------|-------|------|------------|---------------------|------|-------|------|------------|------------|
| | Left | Thru | Right | Peds | App. Total | Left | Thru | Right | Peds | App. Total | Left | Thru | Right | Peds | App. Total | Left | Thru | Right | Peds | App. Total | |
| Peak Hour Analysis From 06:00 to 12:00 - Peak 1 of 1 | | | | | | | | | | | | | | | | | | | | | |
| Peak Hour for Entire Intersection Begins at 06:45 | | | | | | | | | | | | | | | | | | | | | |
| 06:45 | 9 | 542 | 28 | 0 | 579 | 7 | 3 | 1 | 1 | 12 | 15 | 172 | 9 | 0 | 196 | 2 | 4 | 29 | 0 | 35 | 822 |
| 07:00 | 2 | 511 | 16 | 0 | 529 | 17 | 6 | 2 | 0 | 25 | 10 | 161 | 7 | 0 | 178 | 5 | 1 | 31 | 0 | 37 | 769 |
| 07:15 | 3 | 474 | 15 | 1 | 493 | 11 | 6 | 1 | 0 | 18 | 13 | 199 | 9 | 0 | 221 | 10 | 2 | 42 | 1 | 55 | 787 |
| 07:30 | 5 | 496 | 26 | 1 | 528 | 19 | 4 | 0 | 0 | 23 | 21 | 245 | 8 | 0 | 274 | 7 | 1 | 40 | 0 | 48 | 873 |
| Total Volume | 19 | 2023 | 85 | 2 | 2129 | 54 | 19 | 4 | 1 | 78 | 59 | 777 | 33 | 0 | 869 | 24 | 8 | 142 | 1 | 175 | 3251 |
| % App. Total | 0.9 | 95 | 4 | 0.1 | | 69.2 | 24.4 | 5.1 | 1.3 | | 6.8 | 89.4 | 3.8 | 0 | | 13.7 | 4.6 | 81.1 | 0.6 | | |
| PHF | .528 | .933 | .759 | .500 | .919 | .711 | .792 | .500 | .250 | .780 | .702 | .793 | .917 | .000 | .793 | .600 | .500 | .845 | .250 | .795 | .931 |





MINNESOTA DEPT OF TRANSPORTATION

TRAFFIC DATA COLLECTION - METRO

Location: TH 169 @ 120th AVE 2006
 REF. PT.: 144+00.531
 JAMAR#T-1385/MAR
 TURN MOVEMENT COUNT

File Name : TH 169 @ 120th AV 2006
 Site Code : 00000000
 Start Date : 8/3/2006
 Page No : 4

| Start Time | TH 169 Southbound | | | | | 120th AVE Westbound | | | | | TH 169 Northbound | | | | | 120th AVE Eastbound | | | | | Int. Total |
|--|-------------------|------|-------|------|------------|---------------------|------|-------|------|------------|-------------------|------|-------|------|------------|---------------------|------|-------|------|------------|------------|
| | Left | Thru | Right | Peds | App. Total | Left | Thru | Right | Peds | App. Total | Left | Thru | Right | Peds | App. Total | Left | Thru | Right | Peds | App. Total | |
| Peak Hour Analysis From 12:15 to 17:45 - Peak 1 of 1 | | | | | | | | | | | | | | | | | | | | | |
| Peak Hour for Entire Intersection Begins at 16:00 | | | | | | | | | | | | | | | | | | | | | |
| 16:00 | 10 | 226 | 22 | 7 | 265 | 37 | 11 | 19 | 5 | 72 | 38 | 425 | 63 | 0 | 526 | 20 | 20 | 35 | 6 | 81 | 944 |
| 16:15 | 19 | 191 | 22 | 2 | 234 | 38 | 23 | 27 | 5 | 93 | 44 | 429 | 57 | 0 | 530 | 10 | 32 | 34 | 1 | 77 | 934 |
| 16:30 | 16 | 283 | 27 | 0 | 326 | 43 | 21 | 36 | 0 | 100 | 47 | 457 | 57 | 0 | 561 | 8 | 18 | 38 | 0 | 64 | 1051 |
| 16:45 | 24 | 277 | 18 | 0 | 319 | 44 | 13 | 23 | 0 | 80 | 33 | 386 | 56 | 0 | 475 | 14 | 17 | 30 | 0 | 61 | 935 |
| Total Volume | 69 | 977 | 89 | 9 | 1144 | 162 | 68 | 105 | 10 | 345 | 162 | 1697 | 233 | 0 | 2092 | 52 | 87 | 137 | 7 | 283 | 3864 |
| % App. Total | 6 | 85.4 | 7.8 | 0.8 | | 47 | 19.7 | 30.4 | 2.9 | | 7.7 | 81.1 | 11.1 | 0 | | 18.4 | 30.7 | 48.4 | 2.5 | | |
| PHF | .719 | .863 | .824 | .321 | .877 | .920 | .739 | .729 | .500 | .863 | .862 | .928 | .925 | .000 | .932 | .650 | .680 | .901 | .292 | .873 | .919 |

