



MINNESOTA DEPT OF TRANSPORTATION

TRAFFIC DATA COLLECTION - METRO

Location: TH 169 @ W. RIVER RD 2006
 REF. PT.: 145+00.374
 Jamar# 1358/MAR
 TURN MOVEMENT COUNT

File Name : TH 169 @ W RIVER RD 2006
 Site Code : 00000000
 Start Date : 7/13/2006
 Page No : 1

Groups Printed- Cars & Trucks

Start Time	TH 169 Southbound					W RIVER RD Westbound					TH 169 Northbound					W RIVER RD Eastbound					Int. Total
	LEFT	THRU	RIGHT	Peds	App. Total	LEFT	THRU	RIGHT	Peds	App. Total	LEFT	THRU	RIGHT	Peds	App. Total	LEFT	THRU	RIGHT	Peds	App. Total	
06:00	0	0	0	0	0	0	30	0	0	30	69	0	1	0	70	0	74	406	0	480	580
06:15	0	0	0	0	0	0	43	0	0	43	122	0	5	0	127	0	112	498	0	610	780
06:30	0	0	0	0	0	0	67	0	0	67	151	0	3	0	154	0	145	535	0	680	901
06:45	0	0	0	0	0	0	75	0	0	75	179	0	4	0	183	0	182	564	0	746	1004
Total	0	0	0	0	0	0	215	0	0	215	521	0	13	0	534	0	513	2003	0	2516	3265
07:00	0	0	0	2	2	0	59	0	0	59	149	0	4	0	153	1	161	510	0	672	886
07:15	0	0	0	0	0	0	65	0	0	65	207	0	1	0	208	0	141	605	0	746	1019
07:30	0	0	0	0	0	0	109	0	0	109	208	0	3	1	212	0	159	548	0	707	1028
07:45	0	0	0	0	0	0	100	0	0	100	312	0	3	0	315	0	104	539	0	643	1058
Total	0	0	0	2	2	0	333	0	0	333	876	0	11	1	888	1	565	2202	0	2768	3991
08:00	0	0	0	0	0	0	82	0	0	82	202	0	4	0	206	0	103	525	0	628	916
08:15	0	0	0	1	1	0	87	0	0	87	173	0	3	0	176	0	97	488	0	585	849
08:30	0	0	0	0	0	0	69	0	0	69	177	0	2	0	179	0	76	409	0	485	733
08:45	0	0	0	0	0	0	61	0	0	61	239	0	1	0	240	0	123	315	0	438	739
Total	0	0	0	1	1	0	299	0	0	299	791	0	10	0	801	0	399	1737	0	2136	3237
11:00	0	0	0	0	0	0	65	0	1	66	249	0	1	0	250	0	69	276	0	345	661
11:15	0	0	0	0	0	0	141	0	0	141	267	0	1	0	268	0	49	303	0	352	761
11:30	0	0	0	0	0	0	80	0	0	80	292	0	1	0	293	0	48	302	0	350	723
11:45	0	0	0	0	0	0	68	0	1	69	257	0	2	0	259	0	87	261	0	348	676
Total	0	0	0	0	0	0	354	0	2	356	1065	0	5	0	1070	0	253	1142	0	1395	2821
12:00	0	0	0	0	0	0	103	0	0	103	306	0	3	2	311	0	63	302	1	366	780
12:15	0	0	0	0	0	0	62	0	0	62	305	0	3	0	308	0	69	299	0	368	738
12:30	0	0	0	0	0	0	87	0	0	87	283	0	2	0	285	0	54	332	0	386	758
12:45	0	0	0	0	0	0	72	0	0	72	301	0	3	0	304	0	62	339	0	401	777
Total	0	0	0	0	0	0	324	0	0	324	1195	0	11	2	1208	0	248	1272	1	1521	3053
15:00	0	0	0	0	0	0	92	0	0	92	422	0	0	0	422	0	71	288	0	359	873
15:15	0	0	0	0	0	0	143	0	0	143	402	0	3	1	406	0	74	305	7	386	935
15:30	0	0	0	0	0	0	149	0	0	149	432	0	1	0	433	0	80	282	0	362	944
15:45	0	0	0	0	0	0	153	0	0	153	394	0	2	0	396	13	114	263	0	390	939
Total	0	0	0	0	0	0	537	0	0	537	1650	0	6	1	1657	13	339	1138	7	1497	3691
16:00	0	0	0	1	1	0	184	0	0	184	328	0	0	0	328	0	116	340	0	456	969
16:15	0	0	0	0	0	0	180	0	0	180	398	0	0	1	399	0	93	351	0	444	1023
16:30	0	0	0	0	0	0	182	0	0	182	374	0	1	1	376	0	124	407	0	531	1089
16:45	0	0	0	0	0	0	127	0	0	127	361	0	0	0	361	0	110	423	0	533	1021
Total	0	0	0	1	1	0	673	0	0	673	1461	0	1	2	1464	0	443	1521	0	1964	4102
17:00	0	0	0	0	0	0	142	0	0	142	376	0	0	0	376	0	102	379	1	482	1000
17:15	0	0	0	0	0	0	161	0	0	161	410	0	2	0	412	0	103	336	0	439	1012
17:30	0	0	0	0	0	0	232	0	0	232	363	0	0	0	363	0	86	292	0	378	973
17:45	0	0	0	0	0	0	170	0	1	171	391	0	1	1	393	0	82	295	0	377	941
Total	0	0	0	0	0	0	705	0	1	706	1540	0	3	1	1544	0	373	1302	1	1676	3926
Grand Total	0	0	0	4	4	0	3440	0	3	3443	9099	0	60	7	9166	14	3133	12317	9	15473	28086
Apprch %	0	0	0	100		0	99.9	0	0.1		99.3	0	0.7	0.1		0.1	20.2	79.6	0.1		
Total %	0	0	0	0	0	0	12.2	0	0	12.3	32.4	0	0.2	0	32.6	0	11.2	43.9	0	55.1	



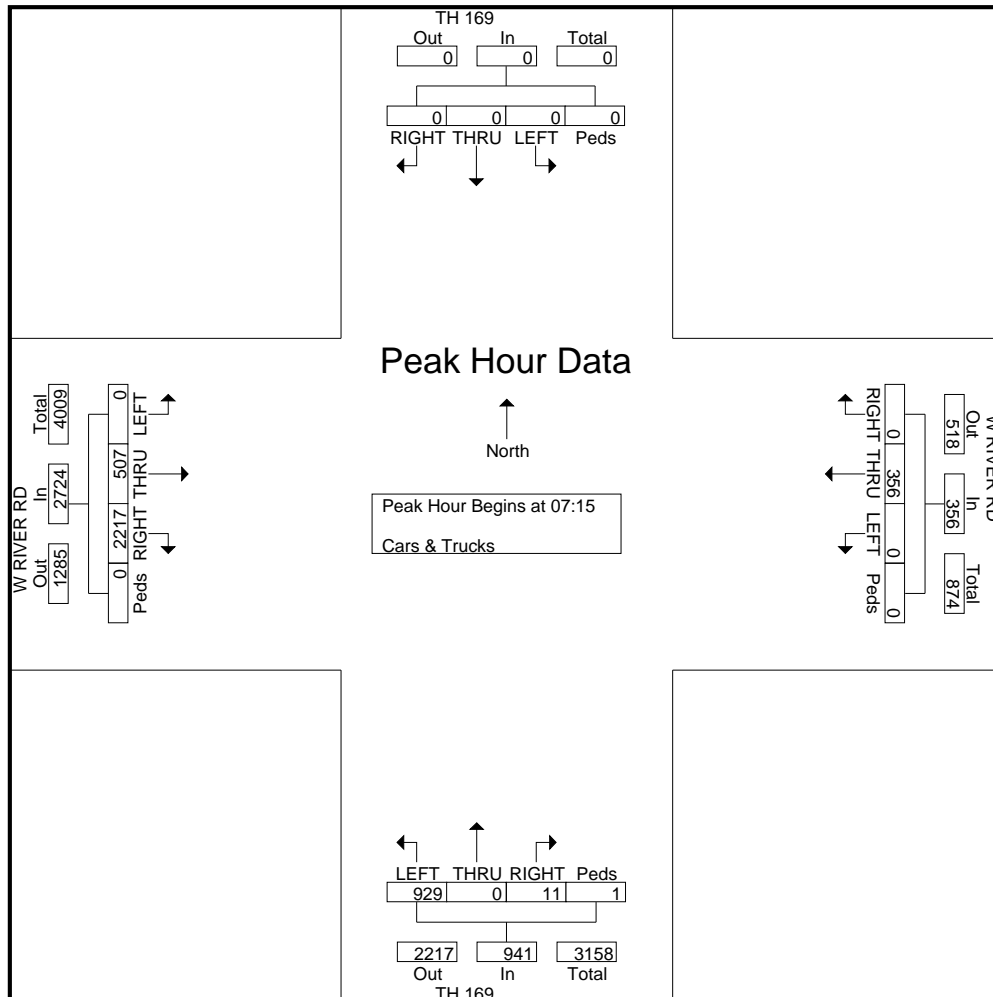
MINNESOTA DEPT OF TRANSPORTATION

TRAFFIC DATA COLLECTION - METRO

Location: TH 169 @ W. RIVER RD 2006
 REF. PT.: 145+00.374
 Jamar# 1358/MAR
 TURN MOVEMENT COUNT

File Name : TH 169 @ W RIVER RD 2006
 Site Code : 00000000
 Start Date : 7/13/2006
 Page No : 2

Start Time	TH 169 Southbound					W RIVER RD Westbound					TH 169 Northbound					W RIVER RD Eastbound					Int. Total
	LEFT	THRU	RIGHT	Peds	App. Total	LEFT	THRU	RIGHT	Peds	App. Total	LEFT	THRU	RIGHT	Peds	App. Total	LEFT	THRU	RIGHT	Peds	App. Total	
Peak Hour Analysis From 06:00 to 09:45 - Peak 1 of 1																					
Peak Hour for Entire Intersection Begins at 07:15																					
07:15	0	0	0	0	0	0	65	0	0	65	207	0	1	0	208	0	141	605	0	746	1019
07:30	0	0	0	0	0	0	109	0	0	109	208	0	3	1	212	0	159	548	0	707	1028
07:45	0	0	0	0	0	0	100	0	0	100	312	0	3	0	315	0	104	539	0	643	1058
08:00	0	0	0	0	0	0	82	0	0	82	202	0	4	0	206	0	103	525	0	628	916
Total Volume	0	0	0	0	0	0	356	0	0	356	929	0	11	1	941	0	507	2217	0	2724	4021
% App. Total	0	0	0	0	0	0	100	0	0	100	98.7	0	1.2	0.1		0	18.6	81.4	0		
PHF	.000	.000	.000	.000	.000	.000	.817	.000	.000	.817	.744	.000	.688	.250	.747	.000	.797	.916	.000	.913	.950





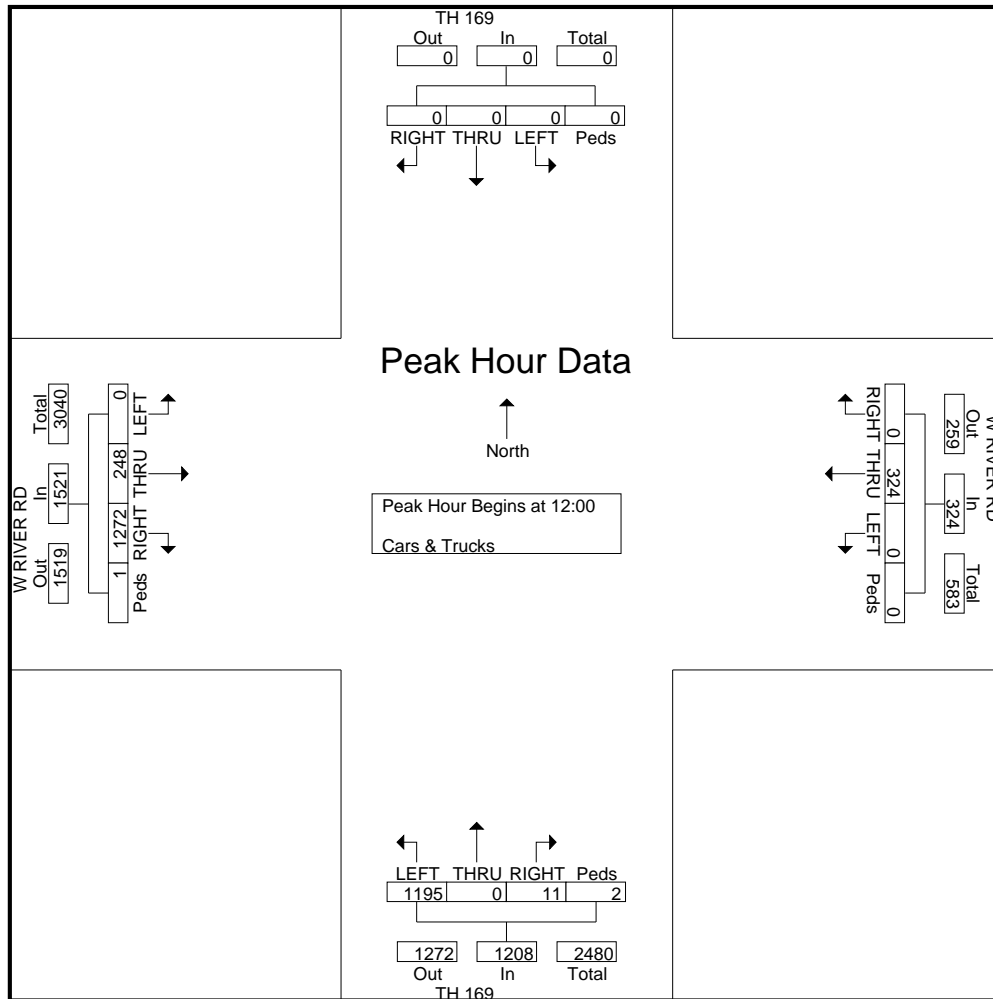
MINNESOTA DEPT OF TRANSPORTATION

TRAFFIC DATA COLLECTION - METRO

Location: TH 169 @ W. RIVER RD 2006
 REF. PT.: 145+00.374
 Jamar# 1358/MAR
 TURN MOVEMENT COUNT

File Name : TH 169 @ W RIVER RD 2006
 Site Code : 00000000
 Start Date : 7/13/2006
 Page No : 3

Start Time	TH 169 Southbound					W RIVER RD Westbound					TH 169 Northbound					W RIVER RD Eastbound					Int. Total
	LEFT	THRU	RIGHT	Peds	App. Total	LEFT	THRU	RIGHT	Peds	App. Total	LEFT	THRU	RIGHT	Peds	App. Total	LEFT	THRU	RIGHT	Peds	App. Total	
Peak Hour Analysis From 10:00 to 13:45 - Peak 1 of 1																					
Peak Hour for Entire Intersection Begins at 12:00																					
12:00	0	0	0	0	0	0	103	0	0	103	306	0	3	2	311	0	63	302	1	366	780
12:15	0	0	0	0	0	0	62	0	0	62	305	0	3	0	308	0	69	299	0	368	738
12:30	0	0	0	0	0	0	87	0	0	87	283	0	2	0	285	0	54	332	0	386	758
12:45	0	0	0	0	0	0	72	0	0	72	301	0	3	0	304	0	62	339	0	401	777
Total Volume	0	0	0	0	0	0	324	0	0	324	1195	0	11	2	1208	0	248	1272	1	1521	3053
% App. Total	0	0	0	0	0	0	100	0	0	100	98.9	0	0.9	0.2	100	0	16.3	83.6	0.1	100	100
PHF	.000	.000	.000	.000	.000	.000	.786	.000	.000	.786	.976	.000	.917	.250	.971	.000	.899	.938	.250	.948	.979





MINNESOTA DEPT OF TRANSPORTATION

TRAFFIC DATA COLLECTION - METRO

Location: TH 169 @ W. RIVER RD 2006
 REF. PT.: 145+00.374
 Jamar# 1358/MAR
 TURN MOVEMENT COUNT

File Name : TH 169 @ W RIVER RD 2006
 Site Code : 00000000
 Start Date : 7/13/2006
 Page No : 4

Start Time	TH 169 Southbound					W RIVER RD Westbound					TH 169 Northbound					W RIVER RD Eastbound					Int. Total
	LEFT	THRU	RIGHT	Peds	App. Total	LEFT	THRU	RIGHT	Peds	App. Total	LEFT	THRU	RIGHT	Peds	App. Total	LEFT	THRU	RIGHT	Peds	App. Total	
Peak Hour Analysis From 14:00 to 17:45 - Peak 1 of 1																					
Peak Hour for Entire Intersection Begins at 16:15																					
16:15	0	0	0	0	0	0	180	0	0	180	398	0	0	1	399	0	93	351	0	444	1023
16:30	0	0	0	0	0	0	182	0	0	182	374	0	1	1	376	0	124	407	0	531	1089
16:45	0	0	0	0	0	0	127	0	0	127	361	0	0	0	361	0	110	423	0	533	1021
17:00	0	0	0	0	0	0	142	0	0	142	376	0	0	0	376	0	102	379	1	482	1000
Total Volume	0	0	0	0	0	0	631	0	0	631	1509	0	1	2	1512	0	429	1560	1	1990	4133
% App. Total	0	0	0	0	0	0	100	0	0	100	99.8	0	0.1	0.1	100	0	21.6	78.4	0.1	100	100
PHF	.000	.000	.000	.000	.000	.000	.867	.000	.000	.867	.948	.000	.250	.500	.947	.000	.865	.922	.250	.933	.949

