

# Alliant Engineering

Minneapolis, MN 55415

--TRAFFIC DATA --

Main Ave at Zane Street, ELK RIVER

Ref.Pt.:

Alliant Eng.

TURN MOVEMENT COUNT

File Name : 413\_Main Ave & Zane St

Site Code : 413

Start Date : 3/3/2016

Page No : 1

Groups Printed- Vehicles - Trucks

Start Time	Zane St Southbound				Main Ave Westbound				Zane St Northbound				Main Ave Eastbound				Int. Total
	Left	Thru	Rght	Other	Left	Thru	Rght	Other	Left	Thru	Rght	Other	Left	Thru	Rght	Other	
06:00	3	7	56	0	1	65	0	0	8	3	6	0	13	32	25	0	219
06:15	6	8	80	0	3	62	4	0	9	2	4	0	15	34	30	0	257
06:30	7	7	91	0	3	88	1	0	8	6	4	0	13	67	30	0	325
06:45	7	5	78	0	2	111	4	0	20	3	3	0	17	69	28	0	347
Total	23	27	305	0	9	326	9	0	45	14	17	0	58	202	113	0	1148
07:00	6	8	71	0	2	140	4	0	20	5	5	0	17	84	22	0	384
07:15	11	8	79	0	7	114	9	0	23	1	2	0	17	119	35	0	425
07:30	13	12	87	0	4	130	13	0	30	5	8	0	24	108	50	0	484
07:45	8	8	77	0	6	129	6	0	30	6	6	0	38	110	51	0	475
Total	38	36	314	0	19	513	32	0	103	17	21	0	96	421	158	0	1768
08:00	2	7	73	1	4	59	3	0	26	7	5	0	40	70	40	0	337
08:15	1	7	64	0	4	69	4	0	33	5	2	0	25	48	41	0	303
08:30	5	8	48	0	2	60	2	0	27	7	1	0	12	50	45	0	267
08:45	2	4	63	0	6	67	7	0	40	8	6	0	31	58	53	0	345
Total	10	26	248	1	16	255	16	0	126	27	14	0	108	226	179	0	1252
09:00	3	10	55	0	5	80	4	0	36	5	5	0	19	47	57	0	326
09:15	7	8	48	0	6	52	3	0	49	7	5	0	22	36	57	0	300
*** BREAK ***																	
Total	10	18	103	0	11	132	7	0	85	12	10	0	41	83	114	0	626
*** BREAK ***																	
10:30	3	15	29	0	5	46	6	0	63	13	3	0	16	39	81	0	319
10:45	6	14	28	0	5	65	6	0	74	16	7	0	32	38	76	0	367
Total	9	29	57	0	10	111	12	0	137	29	10	0	48	77	157	0	686
11:00	5	16	36	0	6	56	5	0	66	14	5	0	19	43	63	0	334
11:15	10	12	32	0	1	57	6	0	72	22	8	0	25	45	83	0	373
11:30	6	17	49	0	1	58	1	0	100	18	6	0	25	53	98	0	432
11:45	4	11	38	0	9	56	11	0	88	23	17	0	33	42	92	0	424
Total	25	56	155	0	17	227	23	0	326	77	36	0	102	183	336	0	1563
12:00	3	21	37	0	3	57	5	0	87	29	7	0	44	62	95	0	450
12:15	4	22	49	0	2	47	7	0	76	22	7	0	29	67	104	0	436
12:30	6	14	28	0	3	52	5	0	91	19	11	0	19	53	98	0	399
12:45	6	22	31	0	2	58	6	0	94	27	11	0	35	52	92	0	436
Total	19	79	145	0	10	214	23	0	348	97	36	0	127	234	389	0	1721
13:00	7	18	38	0	2	54	7	0	87	22	10	0	36	45	70	0	396
13:15	10	19	31	0	7	42	7	0	89	26	10	0	35	50	104	0	430
*** BREAK ***																	
Total	17	37	69	0	9	96	14	0	176	48	20	0	71	95	174	0	826
*** BREAK ***																	
14:30	10	12	40	0	3	62	8	0	111	23	12	0	37	83	78	0	479
14:45	8	17	34	0	6	60	8	0	110	22	11	0	48	76	84	0	484
Total	18	29	74	0	9	122	16	0	221	45	23	0	85	159	162	0	963
15:00	5	20	48	0	1	70	8	0	105	28	12	0	49	83	81	0	510
15:15	11	11	32	0	5	98	14	0	111	24	18	0	54	109	84	0	571
15:30	7	12	61	0	6	84	11	0	102	33	17	0	70	79	73	0	555
15:45	8	10	51	0	5	89	8	0	107	24	15	0	84	105	81	0	587
Total	31	53	192	0	17	341	41	0	425	109	62	0	257	376	319	0	2223
16:00	3	23	55	0	4	82	14	0	82	33	15	0	66	111	81	0	569
16:15	2	15	54	0	4	95	20	0	107	31	10	0	53	113	81	0	585
16:30	12	11	53	0	7	114	12	0	89	32	7	0	81	123	98	0	639

# Alliant Engineering

Minneapolis, MN 55415

--TRAFFIC DATA --

Main Ave at Zane Street, ELK RIVER

Ref.Pt.:

Alliant Eng.

TURN MOVEMENT COUNT

File Name : 413\_Main Ave & Zane St

Site Code : 413

Start Date : 3/3/2016

Page No : 2

Groups Printed- Vehicles - Trucks

Start Time	Zane St Southbound				Main Ave Westbound				Zane St Northbound				Main Ave Eastbound				Int. Total
	Left	Thru	Rght	Other	Left	Thru	Rght	Other	Left	Thru	Rght	Other	Left	Thru	Rght	Other	
16:45	9	25	48	0	8	80	19	0	122	32	8	0	81	108	70	0	610
Total	26	74	210	0	23	371	65	0	400	128	40	0	281	455	330	0	2403
17:00	15	30	57	0	3	93	11	0	92	42	18	0	83	130	81	0	655
17:15	11	15	55	0	12	98	13	0	106	39	13	0	82	91	70	0	605
17:30	2	13	49	0	7	105	15	0	103	33	9	0	66	99	86	0	587
17:45	9	14	43	0	6	77	10	0	86	32	14	0	71	99	75	0	536
Total	37	72	204	0	28	373	49	0	387	146	54	0	302	419	312	0	2383
Grand Total	263	536	2076	1	178	3081	307	0	2779	749	343	0	1576	2930	2743	0	17562
Apprch %	9.1	18.6	72.2	0	5	86.4	8.6	0	71.8	19.3	8.9	0	21.7	40.4	37.8	0	
Total %	1.5	3.1	11.8	0	1	17.5	1.7	0	15.8	4.3	2	0	9	16.7	15.6	0	
Vehicles	257	532	1996	1	175	2987	300	0	2730	742	337	0	1528	2802	2692	0	17079
% Vehicles	97.7	99.3	96.1	100	98.3	96.9	97.7	0	98.2	99.1	98.3	0	97	95.6	98.1	0	97.2
Trucks	6	4	80	0	3	94	7	0	49	7	6	0	48	128	51	0	483
% Trucks	2.3	0.7	3.9	0	1.7	3.1	2.3	0	1.8	0.9	1.7	0	3	4.4	1.9	0	2.8

# Alliant Engineering

Minneapolis, MN 55415

--TRAFFIC DATA --

Main Ave at Zane Street, ELK RIVER

Ref.Pt.:

Alliant Eng.

TURN MOVEMENT COUNT

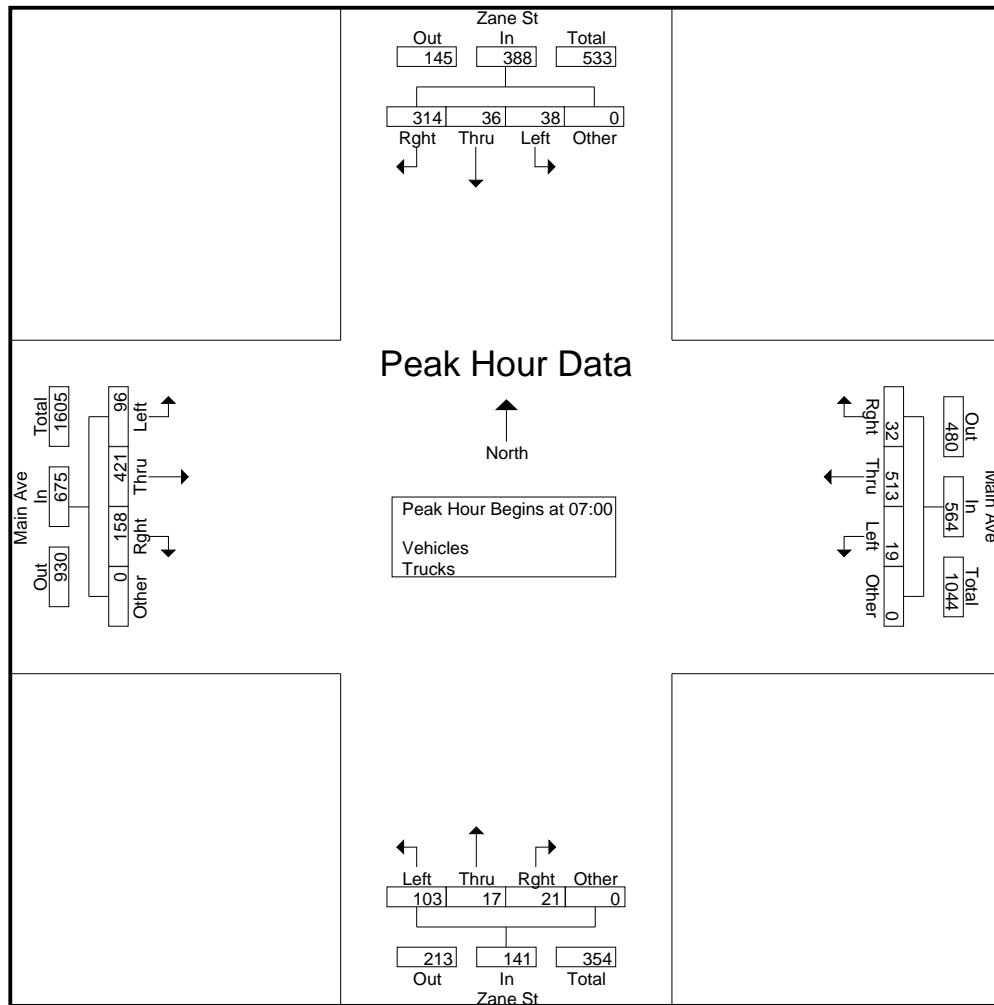
File Name : 413\_Main Ave & Zane St

Site Code : 413

Start Date : 3/3/2016

Page No : 3

Start Time	Zane St Southbound					Main Ave Westbound					Zane St Northbound					Main Ave Eastbound					Int. Total
	Left	Thru	Rght	Other	App. Total	Left	Thru	Rght	Other	App. Total	Left	Thru	Rght	Other	App. Total	Left	Thru	Rght	Other	App. Total	
Peak Hour Analysis From 06:00 to 11:45 - Peak 1 of 1																					
Peak Hour for Entire Intersection Begins at 07:00																					
07:00	6	8	71	0	85	2	140	4	0	146	20	5	5	0	30	17	84	22	0	123	384
07:15	11	8	79	0	98	7	114	9	0	130	23	1	2	0	26	17	119	35	0	171	425
07:30	13	12	87	0	112	4	130	13	0	147	30	5	8	0	43	24	108	50	0	182	484
07:45	8	8	77	0	93	6	129	6	0	141	30	6	6	0	42	38	110	51	0	199	475
Total Volume	38	36	314	0	388	19	513	32	0	564	103	17	21	0	141	96	421	158	0	675	1768
% App. Total	9.8	9.3	80.9	0		3.4	91	5.7	0		73	12.1	14.9	0		14.2	62.4	23.4	0		
PHF	.731	.750	.902	.000	.866	.679	.916	.615	.000	.959	.858	.708	.656	.000	.820	.632	.884	.775	.000	.848	.913



# Alliant Engineering

Minneapolis, MN 55415

--TRAFFIC DATA --

Main Ave at Zane Street, ELK RIVER

Ref.Pt.:

Alliant Eng.

TURN MOVEMENT COUNT

File Name : 413\_Main Ave & Zane St

Site Code : 413

Start Date : 3/3/2016

Page No : 4

Start Time	Zane St Southbound					Main Ave Westbound					Zane St Northbound					Main Ave Eastbound					Int. Total
	Left	Thru	Rght	Other	App. Total	Left	Thru	Rght	Other	App. Total	Left	Thru	Rght	Other	App. Total	Left	Thru	Rght	Other	App. Total	
Peak Hour Analysis From 12:00 to 17:45 - Peak 1 of 1																					
Peak Hour for Entire Intersection Begins at 16:30																					
16:30	12	11	53	0	76	7	114	12	0	133	89	32	7	0	128	81	123	98	0	302	639
16:45	9	25	48	0	82	8	80	19	0	107	122	32	8	0	162	81	108	70	0	259	610
17:00	15	30	57	0	102	3	93	11	0	107	92	42	18	0	152	83	130	81	0	294	655
17:15	11	15	55	0	81	12	98	13	0	123	106	39	13	0	158	82	91	70	0	243	605
Total Volume	47	81	213	0	341	30	385	55	0	470	409	145	46	0	600	327	452	319	0	1098	2509
% App. Total	13.8	23.8	62.5	0		6.4	81.9	11.7	0		68.2	24.2	7.7	0		29.8	41.2	29.1	0		
PHF	.783	.675	.934	.000	.836	.625	.844	.724	.000	.883	.838	.863	.639	.000	.926	.985	.869	.814	.000	.909	.958

