



MINNESOTA DEPT OF TRANSPORTATION

TRAFFIC DATA COLLECTION - METRO

Location: TH 101 S LEG @ TH 212 2006
 Ref.Pt.: 008+00.877
 JAMAR# T-2582/DH
 TURN MOVEMENT COUNT

File Name : TH 101 S LEG @ TH 212 2006
 Site Code : 00000000
 Start Date : 1/12/2006
 Page No : 1

Groups Printed- Unshifted

Start Time	N/A Southbound					TH 212 Westbound					TH 101 Northbound					TH 212 Eastbound					Int. Total
	Left	Thru	Right	Peds	App. Total	Left	Thru	Right	Peds	App. Total	Left	Thru	Right	Peds	App. Total	Left	Thru	Right	Peds	App. Total	
06:00	0	0	0	0	0	0	19	0	0	19	78	0	0	0	78	0	143	74	0	217	314
06:15	0	0	0	0	0	0	28	0	0	28	96	0	1	0	97	0	191	110	0	301	426
06:30	0	0	0	0	0	0	24	0	0	24	128	0	0	0	128	0	238	117	0	355	507
06:45	0	0	0	0	0	0	44	0	0	44	151	0	0	0	151	0	243	78	0	321	516
Total	0	0	0	0	0	0	115	0	0	115	453	0	1	0	454	0	815	379	0	1194	1763
07:00	0	0	0	0	0	0	35	0	0	35	145	0	0	0	145	0	228	108	0	336	516
07:15	0	0	0	0	0	0	43	0	0	43	149	0	0	0	149	0	235	118	0	353	545
07:30	0	0	0	0	0	0	41	0	0	41	151	0	1	0	152	0	225	101	0	326	519
07:45	0	0	0	0	0	0	51	0	0	51	201	0	0	0	201	0	191	106	0	297	549
Total	0	0	0	0	0	0	170	0	0	170	646	0	1	0	647	0	879	433	0	1312	2129
08:00	0	0	0	1	1	0	29	0	0	29	118	0	0	0	118	0	193	92	0	285	433
08:15	0	0	0	0	0	0	50	0	0	50	111	0	0	0	111	0	136	87	0	223	384
08:30	0	0	0	0	0	0	30	0	0	30	90	0	0	0	90	0	124	83	0	207	327
08:45	0	0	0	0	0	0	35	0	0	35	90	0	0	0	90	0	114	79	0	193	318
Total	0	0	0	1	1	0	144	0	0	144	409	0	0	0	409	0	567	341	0	908	1462
15:00	0	0	0	0	0	0	100	0	0	100	95	0	0	0	95	0	68	161	0	229	424
15:15	0	0	0	0	0	0	122	0	0	122	127	0	0	0	127	0	77	172	0	249	498
15:30	0	0	0	0	0	0	161	0	0	161	133	0	0	0	133	0	58	154	0	212	506
15:45	0	0	0	0	0	0	177	0	0	177	139	0	0	0	139	0	61	182	0	243	559
Total	0	0	0	0	0	0	560	0	0	560	494	0	0	0	494	0	264	669	0	933	1987
16:00	0	0	0	0	0	0	141	0	0	141	162	0	0	0	162	0	105	163	0	268	571
16:15	0	0	0	0	0	0	129	0	0	129	164	0	0	0	164	0	97	173	0	270	563
16:30	0	0	0	0	0	0	140	0	0	140	174	0	0	0	174	0	93	206	0	299	613
16:45	0	0	0	0	0	0	180	0	0	180	159	0	0	0	159	0	78	189	0	267	606
Total	0	0	0	0	0	0	590	0	0	590	659	0	0	0	659	0	373	731	0	1104	2353
17:00	0	0	0	0	0	0	256	0	0	256	128	0	0	0	128	0	80	182	0	262	646
17:15	0	0	0	0	0	0	219	0	0	219	123	0	0	0	123	0	78	196	0	274	616
17:30	0	0	0	0	0	0	229	0	0	229	125	0	0	0	125	0	66	116	0	182	536
17:45	0	0	0	0	0	0	200	0	0	200	163	0	0	0	163	0	66	125	0	191	554
Total	0	0	0	0	0	0	904	0	0	904	539	0	0	0	539	0	290	619	0	909	2352
Grand Total	0	0	0	1	1	0	2483	0	0	2483	3200	0	2	0	3202	0	3188	3172	0	6360	12046
Apprch %	0	0	0	100		0	100	0	0		99.9	0	0.1	0		0	50.1	49.9	0		
Total %	0	0	0	0	0	0	20.6	0	0	20.6	26.6	0	0	0	26.6	0	26.5	26.3	0	52.8	

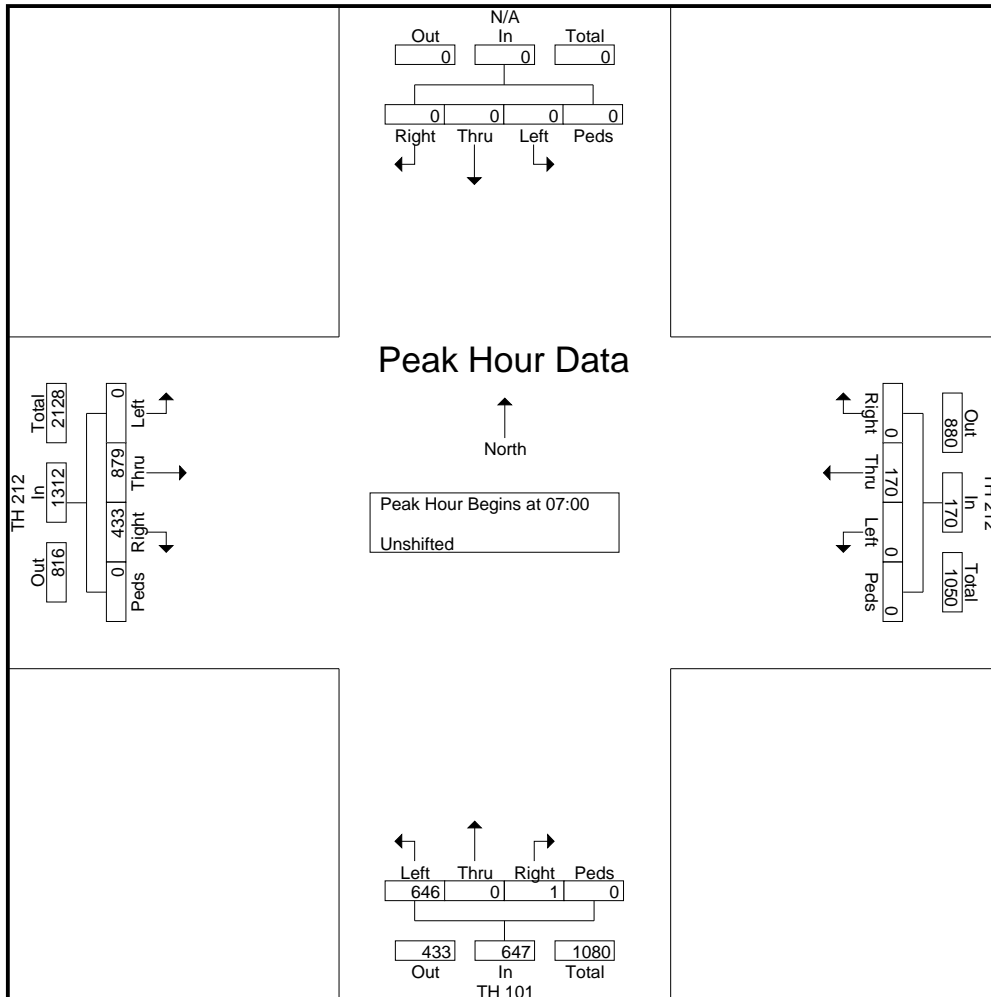


MINNESOTA DEPT OF TRANSPORTATION

TRAFFIC DATA COLLECTION - METRO

File Name : TH 101 S LEG @ TH 212 2006
 Site Code : 00000000
 Start Date : 1/12/2006
 Page No : 2

Start Time	N/A Southbound					TH 212 Westbound					TH 101 Northbound					TH 212 Eastbound					Int. Total
	Left	Thru	Right	Peds	App. Total	Left	Thru	Right	Peds	App. Total	Left	Thru	Right	Peds	App. Total	Left	Thru	Right	Peds	App. Total	
Peak Hour Analysis From 06:00 to 08:45 - Peak 1 of 1																					
Peak Hour for Entire Intersection Begins at 07:00																					
07:00	0	0	0	0	0	0	35	0	0	35	145	0	0	0	145	0	228	108	0	336	516
07:15	0	0	0	0	0	0	43	0	0	43	149	0	0	0	149	0	235	118	0	353	545
07:30	0	0	0	0	0	0	41	0	0	41	151	0	1	0	152	0	225	101	0	326	519
07:45	0	0	0	0	0	0	51	0	0	51	201	0	0	0	201	0	191	106	0	297	549
Total Volume	0	0	0	0	0	0	170	0	0	170	646	0	1	0	647	0	879	433	0	1312	2129
% App. Total	0	0	0	0	0	0	100	0	0	100	99.8	0	0.2	0	100	0	67	33	0	100	100
PHF	.000	.000	.000	.000	.000	.000	.833	.000	.000	.833	.803	.000	.250	.000	.805	.000	.935	.917	.000	.929	.969





MINNESOTA DEPT OF TRANSPORTATION

TRAFFIC DATA COLLECTION - METRO

File Name : TH 101 S LEG @ TH 212 2006
 Site Code : 00000000
 Start Date : 1/12/2006
 Page No : 3

Start Time	N/A Southbound					TH 212 Westbound					TH 101 Northbound					TH 212 Eastbound					Int. Total
	Left	Thru	Right	Peds	App. Total	Left	Thru	Right	Peds	App. Total	Left	Thru	Right	Peds	App. Total	Left	Thru	Right	Peds	App. Total	
Peak Hour Analysis From 15:00 to 17:45 - Peak 1 of 1																					
Peak Hour for Entire Intersection Begins at 16:30																					
16:30	0	0	0	0	0	0	140	0	0	140	174	0	0	0	174	0	93	206	0	299	613
16:45	0	0	0	0	0	0	180	0	0	180	159	0	0	0	159	0	78	189	0	267	606
17:00	0	0	0	0	0	0	256	0	0	256	128	0	0	0	128	0	80	182	0	262	646
17:15	0	0	0	0	0	0	219	0	0	219	123	0	0	0	123	0	78	196	0	274	616
Total Volume	0	0	0	0	0	0	795	0	0	795	584	0	0	0	584	0	329	773	0	1102	2481
% App. Total	0	0	0	0	0	0	100	0	0	100	100	0	0	0	100	0	29.9	70.1	0	0	0
PHF	.000	.000	.000	.000	.000	.000	.776	.000	.000	.776	.839	.000	.000	.000	.839	.000	.884	.938	.000	.921	.960

