

# Albeck Gerken, Inc

Transportation Engineers

Traffic Data Collection

Prairie Center Drive at Singletree Lane  
 Counted By: George / Nic  
 Data by: Albeck Gerken Inc - George/Nic  
 TURN MOVEMENT COUNT

File Name : Prairie Center Dr at Singletree Ln 2005  
 Site Code : 00000000  
 Start Date : 1/20/2005  
 Page No : 1

Groups Printed- Unshifted

Start Time	Prairie Center Drive Southbound				Singletree Lane Westbound				Prairie Center Drive Northbound				commercial entrance Eastbound				Int. Total
	Left	Thru	Right	Peds	Left	Thru	Right	Peds	Left	Thru	Right	Peds	Left	Thru	Right	Peds	
06:30	10	52	5	0	0	0	9	0	8	79	2	0	7	1	5	0	178
06:45	21	64	10	0	2	2	16	0	5	111	3	0	10	3	3	0	250
Total	31	116	15	0	2	2	25	0	13	190	5	0	17	4	8	0	428
07:00	20	73	5	0	2	0	16	0	3	106	2	0	16	4	3	0	250
07:15	24	71	3	0	1	2	12	0	5	174	3	0	16	4	4	0	319
07:30	26	99	3	0	3	2	29	0	5	170	3	0	15	5	7	0	367
07:45	44	115	6	0	2	2	26	0	10	188	4	0	15	4	5	0	421
Total	114	358	17	0	8	6	83	0	23	638	12	0	62	17	19	0	1357
08:00	30	90	5	0	2	2	20	0	6	120	4	0	9	3	2	0	293
08:15	40	90	13	0	2	1	25	0	4	96	1	0	6	9	1	0	288
*** BREAK ***																	
Total	70	180	18	0	4	3	45	0	10	216	5	0	15	12	3	0	581
*** BREAK ***																	
11:30	132	234	9	0	2	7	85	0	10	176	6	0	11	3	8	0	683
11:45	117	211	10	0	14	11	101	0	6	174	7	0	19	3	3	0	676
Total	249	445	19	0	16	18	186	0	16	350	13	0	30	6	11	0	1359
12:00	124	226	6	0	6	5	82	0	5	215	9	0	18	8	4	0	708
12:15	125	216	4	0	5	6	92	0	6	189	8	0	18	3	4	0	676
12:30	97	192	3	0	7	3	130	0	6	218	11	0	13	7	11	0	698
12:45	94	201	1	0	6	6	106	0	8	226	10	0	18	5	11	0	692
Total	440	835	14	0	24	20	410	0	25	848	38	0	67	23	30	0	2774
13:00	98	169	3	0	5	3	99	0	7	206	11	0	27	10	14	0	652
13:15	77	147	3	0	5	2	79	0	8	194	4	0	14	7	6	0	546
*** BREAK ***																	
Total	175	316	6	0	10	5	178	0	15	400	15	0	41	17	20	0	1198
*** BREAK ***																	
16:00	91	190	11	0	8	7	60	0	5	135	9	0	18	8	7	1	550
16:15	112	222	13	0	4	2	68	0	1	130	13	0	9	5	9	0	588
16:30	118	238	12	0	5	4	77	0	12	137	13	0	15	3	13	0	647
16:45	104	242	9	0	5	5	79	0	8	138	16	0	17	5	10	0	638
Total	425	892	45	0	22	18	284	0	26	540	51	0	59	21	39	1	2423
17:00	92	266	9	0	4	7	84	0	7	215	12	0	20	8	12	0	736
17:15	122	227	23	0	10	18	90	0	7	162	20	0	23	7	8	1	718
17:30	122	279	12	0	12	8	85	0	2	168	25	0	22	5	12	0	752
17:45	98	268	19	0	9	11	80	5	8	157	16	0	16	9	7	0	703
Total	434	1040	63	0	35	44	339	5	24	702	73	0	81	29	39	1	2909
Grand Total	1938	4182	197	0	121	116	1550	5	152	3884	212	0	372	129	169	2	13029
Apprch %	30.7	66.2	3.1	0	6.8	6.5	86.5	0.3	3.6	91.4	5	0	55.4	19.2	25.1	0.3	
Total %	14.9	32.1	1.5	0	0.9	0.9	11.9	0	1.2	29.8	1.6	0	2.9	1	1.3	0	

# Albeck Gerken, Inc

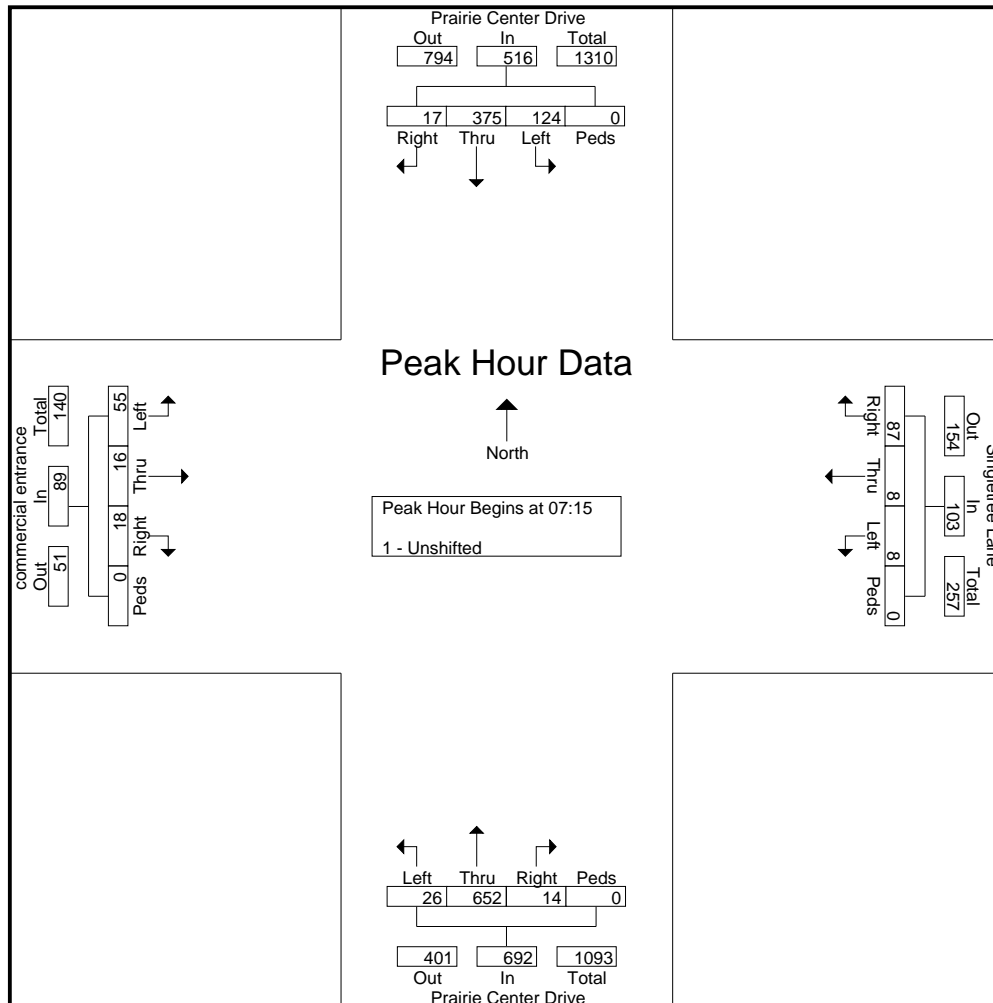
Transportation Engineers

Traffic Data Collection

Prairie Center Drive at Singletree Lane  
 Counted By: George / Nic  
 Data by: Albeck Gerken Inc - George/Nic  
 TURN MOVEMENT COUNT

File Name : Prairie Center Dr at Singletree Ln 2005  
 Site Code : 00000000  
 Start Date : 1/20/2005  
 Page No : 2

Start Time	Prairie Center Drive Southbound					Singletree Lane Westbound					Prairie Center Drive Northbound					commercial entrance Eastbound					Int. Total
	Left	Thru	Right	Peds	App. Total	Left	Thru	Right	Peds	App. Total	Left	Thru	Right	Peds	App. Total	Left	Thru	Right	Peds	App. Total	
Peak Hour Analysis From 06:30 to 09:15 - Peak 1 of 1																					
Peak Hour for Entire Intersection Begins at 07:15																					
07:15	24	71	3	0	98	1	2	12	0	15	5	174	3	0	182	16	4	4	0	24	319
07:30	26	99	3	0	128	3	2	29	0	34	5	170	3	0	178	15	5	7	0	27	367
07:45	44	115	6	0	165	2	2	26	0	30	10	188	4	0	202	15	4	5	0	24	421
08:00	30	90	5	0	125	2	2	20	0	24	6	120	4	0	130	9	3	2	0	14	293
Total Volume	124	375	17	0	516	8	8	87	0	103	26	652	14	0	692	55	16	18	0	89	1400
% App. Total	24	72.7	3.3	0		7.8	7.8	84.5	0		3.8	94.2	2	0		61.8	18	20.2	0		
PHF	.705	.815	.708	.000	.782	.667	1.000	.750	.000	.757	.650	.867	.875	.000	.856	.859	.800	.643	.000	.824	.831



# Albeck Gerken, Inc

Transportation Engineers

Traffic Data Collection

Prairie Center Drive at Singletree Lane  
 Counted By: George / Nic  
 Data by: Albeck Gerken Inc - George/Nic  
 TURN MOVEMENT COUNT

File Name : Prairie Center Dr at Singletree Ln 2005  
 Site Code : 00000000  
 Start Date : 1/20/2005  
 Page No : 3

Start Time	Prairie Center Drive Southbound					Singletree Lane Westbound					Prairie Center Drive Northbound					commercial entrance Eastbound					Int. Total
	Left	Thru	Right	Peds	App. Total	Left	Thru	Right	Peds	App. Total	Left	Thru	Right	Peds	App. Total	Left	Thru	Right	Peds	App. Total	
Peak Hour Analysis From 16:00 to 17:45 - Peak 1 of 1																					
Peak Hour for Entire Intersection Begins at 17:00																					
17:00	92	266	9	0	367	4	7	84	0	95	7	215	12	0	234	20	8	12	0	40	736
17:15	122	227	23	0	372	10	18	90	0	118	7	162	20	0	189	23	7	8	1	39	718
17:30	122	279	12	0	413	12	8	85	0	105	2	168	25	0	195	22	5	12	0	39	752
17:45	98	268	19	0	385	9	11	80	5	105	8	157	16	0	181	16	9	7	0	32	703
Total Volume	434	1040	63	0	1537	35	44	339	5	423	24	702	73	0	799	81	29	39	1	150	2909
% App. Total	28.2	67.7	4.1	0		8.3	10.4	80.1	1.2		3	87.9	9.1	0		54	19.3	26	0.7		
PHF	.889	.932	.685	.000	.930	.729	.611	.942	.250	.896	.750	.816	.730	.000	.854	.880	.806	.813	.250	.938	.967

