



MINNESOTA DEPT. OF TRANSPORTATION

TRAFFIC DATA COLLECTION - METRO

TH-952 / ROBERT ST. AT MENDOTA RD.
 REF.PT.: 126.934
 JAMAR# 631/632 RE/DR
 TURN MOVEMENT COUNT

File Name : TH-952 ROBERT ST AT MENDOTA 2006
 Site Code : 00000000
 Start Date : 5/10/2006
 Page No : 1

Groups Printed- CARS & TRUCKS

Start Time	TH-952 / ROBERT ST Southbound				MENDOTA RD. Westbound				TH-952 / ROBERT ST Northbound				MENDOTA RD. Eastbound				Int. Total
	Left	Thru	Right	Peds	Left	Thru	Right	Peds	Left	Thru	Right	Peds	Left	Thru	Right	Peds	
06:00	9	36	4	0	8	12	10	0	2	19	7	0	2	10	4	0	123
06:15	5	38	4	0	12	24	10	0	4	43	6	0	9	1	1	0	157
06:30	11	66	11	0	10	29	20	0	15	74	10	0	4	7	1	0	258
06:45	9	52	8	0	13	37	10	0	22	86	9	0	6	7	1	0	260
Total	34	192	27	0	43	102	50	0	43	222	32	0	21	25	7	0	798
07:00	10	42	12	0	11	50	17	1	16	77	7	0	7	13	5	0	268
07:15	10	79	10	0	13	38	19	0	16	96	6	0	9	13	6	0	315
07:30	12	108	18	0	20	47	25	0	14	120	13	0	6	14	5	0	402
07:45	19	84	10	1	17	71	33	0	22	137	8	0	18	23	9	1	453
Total	51	313	50	1	61	206	94	1	68	430	34	0	40	63	25	1	1438
08:00	13	79	30	0	17	55	46	0	36	124	12	0	14	18	11	0	455
08:15	19	71	14	0	11	56	26	0	35	101	5	0	10	18	11	0	377
08:30	21	83	21	0	26	65	36	0	36	112	7	0	20	16	7	0	450
08:45	21	106	17	0	16	44	46	0	18	111	8	0	22	20	11	0	440
Total	74	339	82	0	70	220	154	0	125	448	32	0	66	72	40	0	1722
11:00	40	116	22	0	15	45	74	0	14	144	24	0	34	35	24	0	587
11:15	39	132	25	0	14	44	93	0	18	170	13	2	32	43	21	1	647
11:30	36	133	30	0	15	75	95	3	41	166	14	1	45	41	22	0	717
11:45	54	153	38	1	17	46	90	2	18	180	13	1	42	41	36	2	734
Total	169	534	115	1	61	210	352	5	91	660	64	4	153	160	103	3	2685
12:00	51	137	43	3	17	45	100	4	27	196	32	0	35	52	38	0	780
12:15	57	175	45	0	18	44	93	0	27	179	27	3	33	45	25	0	771
12:30	56	157	46	0	23	64	64	0	41	162	14	0	53	47	30	1	758
12:45	60	172	47	0	22	60	69	0	39	146	30	0	40	34	38	0	757
Total	224	641	181	3	80	213	326	4	134	683	103	3	161	178	131	1	3066
15:00	45	165	30	1	28	32	49	0	12	149	22	0	22	59	33	0	647
15:15	47	152	20	0	28	54	47	0	27	167	23	0	36	46	26	0	673
15:30	56	158	28	0	26	51	66	0	11	173	17	0	22	63	28	0	699
15:45	38	154	19	0	29	36	74	0	17	174	20	0	38	50	33	0	682
Total	186	629	97	1	111	173	236	0	67	663	82	0	118	218	120	0	2701
16:00	45	173	23	0	16	42	48	0	24	207	25	0	22	39	35	0	699
16:15	56	191	28	0	26	45	81	0	23	151	33	0	40	70	32	0	776
16:30	53	185	22	0	21	35	63	0	18	167	23	0	33	64	37	0	721
16:45	54	194	26	0	22	49	70	0	23	195	27	0	44	72	48	0	824
Total	208	743	99	0	85	171	262	0	88	720	108	0	139	245	152	0	3020
17:00	52	192	21	0	23	52	80	0	19	159	38	0	38	48	30	0	752
17:15	61	174	25	0	24	51	72	0	19	193	34	0	28	61	29	0	771
17:30	53	173	31	0	27	44	64	0	14	165	26	0	34	57	30	0	718
17:45	48	174	46	0	26	66	118	0	21	184	31	0	41	63	32	0	850
Total	214	713	123	0	100	213	334	0	73	701	129	0	141	229	121	0	3091



MINNESOTA DEPT. OF TRANSPORTATION

TRAFFIC DATA COLLECTION - METRO

TH-952 / ROBERT ST. AT MENDOTA RD.
 REF.PT.: 126.934
 JAMAR# 631/632 RE/DR
 TURN MOVEMENT COUNT

File Name : TH-952 ROBERT ST AT MENDOTA 2006
 Site Code : 00000000
 Start Date : 5/10/2006
 Page No : 2

Groups Printed- CARS & TRUCKS

	TH-952 / ROBERT ST Southbound				MENDOTA RD. Westbound				TH-952 / ROBERT ST Northbound				MENDOTA RD. Eastbound				Int. Total
	Left	Thru	Right	Peds	Left	Thru	Right	Peds	Left	Thru	Right	Peds	Left	Thru	Right	Peds	
Grand Total	1160	4104	774	6	611	1508	1808	10	689	4527	584	7	839	1190	699	5	18521
Apprch %	19.2	67.9	12.8	0.1	15.5	38.3	45.9	0.3	11.9	78	10.1	0.1	30.7	43.5	25.6	0.2	
Total %	6.3	22.2	4.2	0	3.3	8.1	9.8	0.1	3.7	24.4	3.2	0	4.5	6.4	3.8	0	



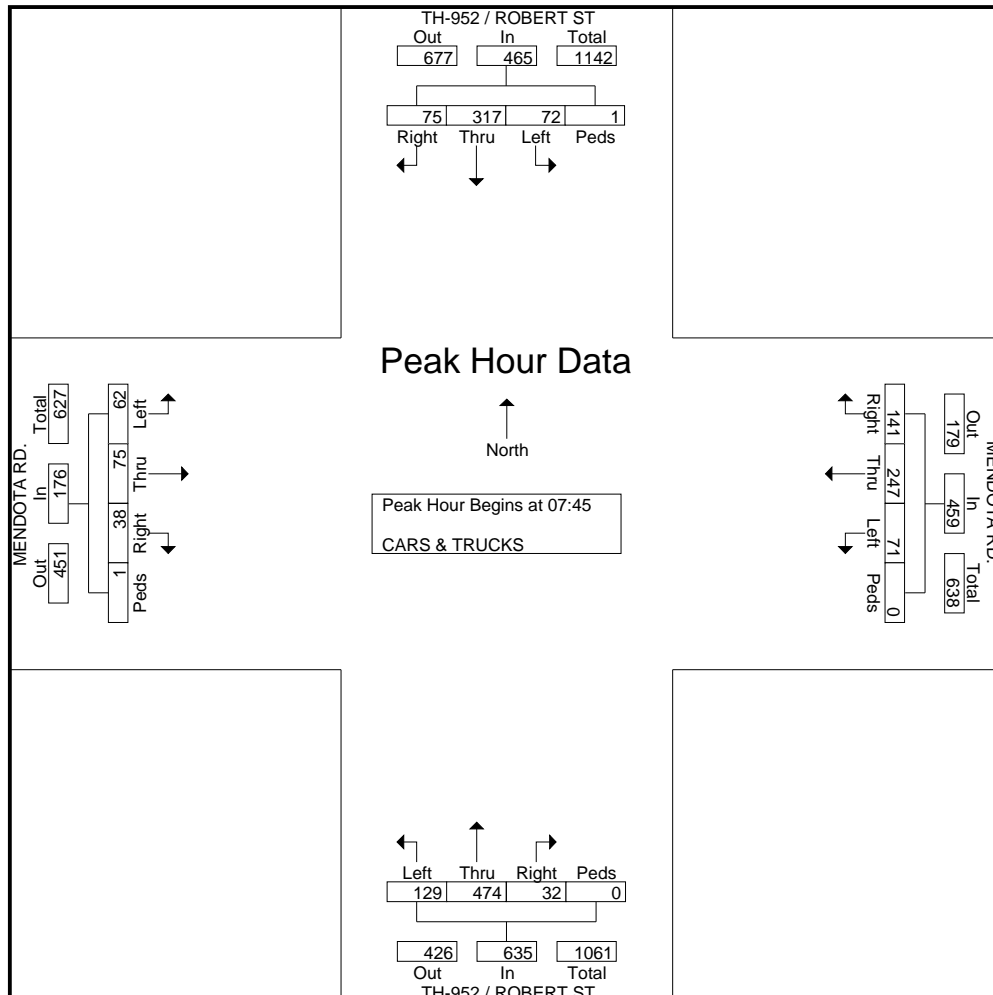
MINNESOTA DEPT. OF TRANSPORTATION

TRAFFIC DATA COLLECTION - METRO

TH-952 / ROBERT ST. AT MENDOTA RD.
 REF.PT.: 126.934
 JAMAR# 631/632 RE/DR
 TURN MOVEMENT COUNT

File Name : TH-952 ROBERT ST AT MENDOTA 2006
 Site Code : 00000000
 Start Date : 5/10/2006
 Page No : 3

Start Time	TH-952 / ROBERT ST Southbound					MENDOTA RD. Westbound					TH-952 / ROBERT ST Northbound					MENDOTA RD. Eastbound					Int. Total
	Left	Thru	Right	Peds	App. Total	Left	Thru	Right	Peds	App. Total	Left	Thru	Right	Peds	App. Total	Left	Thru	Right	Peds	App. Total	
Peak Hour Analysis From 06:00 to 08:45 - Peak 1 of 1																					
Peak Hour for Entire Intersection Begins at 07:45																					
07:45	19	84	10	1	114	17	71	33	0	121	22	137	8	0	167	18	23	9	1	51	453
08:00	13	79	30	0	122	17	55	46	0	118	36	124	12	0	172	14	18	11	0	43	455
08:15	19	71	14	0	104	11	56	26	0	93	35	101	5	0	141	10	18	11	0	39	377
08:30	21	83	21	0	125	26	65	36	0	127	36	112	7	0	155	20	16	7	0	43	450
Total Volume	72	317	75	1	465	71	247	141	0	459	129	474	32	0	635	62	75	38	1	176	1735
% App. Total	15.5	68.2	16.1	0.2		15.5	53.8	30.7	0		20.3	74.6	5	0		35.2	42.6	21.6	0.6		
PHF	.857	.943	.625	.250	.930	.683	.870	.766	.000	.904	.896	.865	.667	.000	.923	.775	.815	.864	.250	.863	.953





MINNESOTA DEPT. OF TRANSPORTATION

TRAFFIC DATA COLLECTION - METRO

TH-952 / ROBERT ST. AT MENDOTA RD.
 REF.PT.: 126.934
 JAMAR# 631/632 RE/DR
 TURN MOVEMENT COUNT

File Name : TH-952 ROBERT ST AT MENDOTA 2006
 Site Code : 00000000
 Start Date : 5/10/2006
 Page No : 4

Start Time	TH-952 / ROBERT ST Southbound					MENDOTA RD. Westbound					TH-952 / ROBERT ST Northbound					MENDOTA RD. Eastbound					Int. Total
	Left	Thru	Right	Peds	App. Total	Left	Thru	Right	Peds	App. Total	Left	Thru	Right	Peds	App. Total	Left	Thru	Right	Peds	App. Total	
Peak Hour Analysis From 15:00 to 17:45 - Peak 1 of 1																					
Peak Hour for Entire Intersection Begins at 17:00																					
17:00	52	192	21	0	265	23	52	80	0	155	19	159	38	0	216	38	48	30	0	116	752
17:15	61	174	25	0	260	24	51	72	0	147	19	193	34	0	246	28	61	29	0	118	771
17:30	53	173	31	0	257	27	44	64	0	135	14	165	26	0	205	34	57	30	0	121	718
17:45	48	174	46	0	268	26	66	118	0	210	21	184	31	0	236	41	63	32	0	136	850
Total Volume	214	713	123	0	1050	100	213	334	0	647	73	701	129	0	903	141	229	121	0	491	3091
% App. Total	20.4	67.9	11.7	0		15.5	32.9	51.6	0		8.1	77.6	14.3	0		28.7	46.6	24.6	0		
PHF	.877	.928	.668	.000	.979	.926	.807	.708	.000	.770	.869	.908	.849	.000	.918	.860	.909	.945	.000	.903	.909

