



MINNESOTA DEPT OF TRANSPORTATION

TRAFFIC DATA COLLECTION - METRO

Location: TH 952 @ LOTHENBACH AV 2006
 REF. PT.: 127+00.681
 Jamar# 1358/MAR
 TURN MOVEMENT COUNT

File Name : TH 952 AT LOTHENBACH AV 2006
 Site Code : 00000000
 Start Date : 6/22/2006
 Page No : 1

Groups Printed- Cars & Trucks

Start Time	TH 952 Southbound					LOTHENBACH AVE Westbound					TH 952 Northbound					LOTHENBACH AVE Eastbound					Int. Total
	LEFT	THRU	RIGHT	Peds	App. Total	LEFT	THRU	RIGHT	Peds	App. Total	LEFT	THRU	RIGHT	Peds	App. Total	LEFT	THRU	RIGHT	Peds	App. Total	
06:00	1	42	0	0	43	3	0	2	0	5	0	41	3	0	44	0	0	0	0	0	92
06:15	4	56	0	0	60	1	0	2	0	3	0	45	2	0	47	0	0	0	0	0	110
06:30	4	76	2	0	82	1	0	5	0	6	1	58	6	0	65	1	0	0	0	1	154
06:45	7	73	1	0	81	3	0	2	0	5	2	95	7	0	104	1	0	2	0	3	193
Total	16	247	3	0	266	8	0	11	0	19	3	239	18	0	260	2	0	2	0	4	549
07:00	3	83	0	0	86	2	0	5	0	7	0	86	6	0	92	0	0	0	0	0	185
07:15	3	91	1	0	95	3	1	5	0	9	0	98	10	0	108	0	0	3	0	3	215
07:30	2	104	2	0	108	4	1	9	0	14	2	135	12	0	149	1	0	1	0	2	273
07:45	12	96	4	0	112	8	2	2	0	12	1	138	12	0	151	1	1	0	0	2	277
Total	20	374	7	0	401	17	4	21	0	42	3	457	40	0	500	2	1	4	0	7	950
08:00	17	114	4	0	135	13	1	9	0	23	1	127	12	0	140	4	1	3	0	8	306
08:15	13	121	2	0	136	9	1	4	0	14	2	104	12	0	118	0	1	0	0	1	269
08:30	8	114	3	0	125	4	1	5	0	10	3	120	14	0	137	3	0	4	0	7	279
08:45	17	116	5	0	138	7	3	7	0	17	3	133	5	0	141	2	1	4	0	7	303
Total	55	465	14	0	534	33	6	25	0	64	9	484	43	0	536	9	3	11	0	23	1157
11:00	32	199	8	0	239	46	1	24	0	71	5	188	12	0	205	3	2	4	0	9	524
11:15	33	187	8	0	228	33	3	24	0	60	2	198	19	0	219	3	4	6	0	13	520
11:30	71	220	4	0	295	28	0	23	0	51	3	194	15	0	212	5	1	5	0	11	569
11:45	32	222	5	0	259	42	2	35	0	79	4	219	26	0	249	2	2	5	0	9	596
Total	168	828	25	0	1021	149	6	106	0	261	14	799	72	0	885	13	9	20	0	42	2209
12:00	34	222	6	0	262	36	4	26	0	66	6	220	23	0	249	2	1	10	0	13	590
12:15	53	257	4	0	314	37	1	24	0	62	9	246	23	0	278	5	1	5	0	11	665
12:30	36	261	8	0	305	60	1	27	0	88	6	207	16	0	229	4	5	3	0	12	634
12:45	36	255	6	0	297	36	3	18	0	57	8	256	23	0	287	3	3	6	0	12	653
Total	159	995	24	0	1178	169	9	95	0	273	29	929	85	0	1043	14	10	24	0	48	2542
15:00	29	169	6	0	204	39	2	15	0	56	3	205	26	0	234	6	1	2	0	9	503
15:15	29	197	10	0	236	28	1	24	0	53	7	217	17	0	241	4	3	4	0	11	541
15:30	38	184	4	0	226	43	3	32	0	78	10	208	20	0	238	9	2	5	0	16	558
15:45	31	221	6	0	258	31	3	22	0	56	7	234	26	0	267	8	4	5	0	17	598
Total	127	771	26	0	924	141	9	93	0	243	27	864	89	0	980	27	10	16	0	53	2200
16:00	37	212	5	0	254	39	3	24	0	66	6	228	22	0	256	1	6	8	0	15	591
16:15	49	215	9	0	273	34	4	21	0	59	7	210	14	0	231	3	3	7	0	13	576
16:30	30	231	5	0	266	32	4	28	0	64	7	212	25	0	244	7	2	4	0	13	587
16:45	39	205	7	0	251	38	2	21	0	61	5	214	17	0	236	10	5	5	0	20	568
Total	155	863	26	0	1044	143	13	94	0	250	25	864	78	0	967	21	16	24	0	61	2322
17:00	40	232	2	0	274	41	4	26	0	71	6	239	17	0	262	2	3	1	0	6	613
17:15	33	215	5	0	253	50	2	26	0	78	2	251	25	0	278	1	3	6	0	10	619
17:30	41	190	9	0	240	44	2	34	0	80	8	225	22	0	255	4	1	3	0	8	583
17:45	32	203	5	0	240	34	2	22	0	58	5	211	21	0	237	7	2	6	0	15	550
Total	146	840	21	0	1007	169	10	108	0	287	21	926	85	0	1032	14	9	16	0	39	2365
Grand Total	846	5383	146	0	6375	829	57	553	0	1439	131	5562	510	0	6203	102	58	117	0	277	14294
Apprch %	13.3	84.4	2.3	0		57.6	4	38.4	0		2.1	89.7	8.2	0		36.8	20.9	42.2	0		
Total %	5.9	37.7	1	0	44.6	5.8	0.4	3.9	0	10.1	0.9	38.9	3.6	0	43.4	0.7	0.4	0.8	0	1.9	

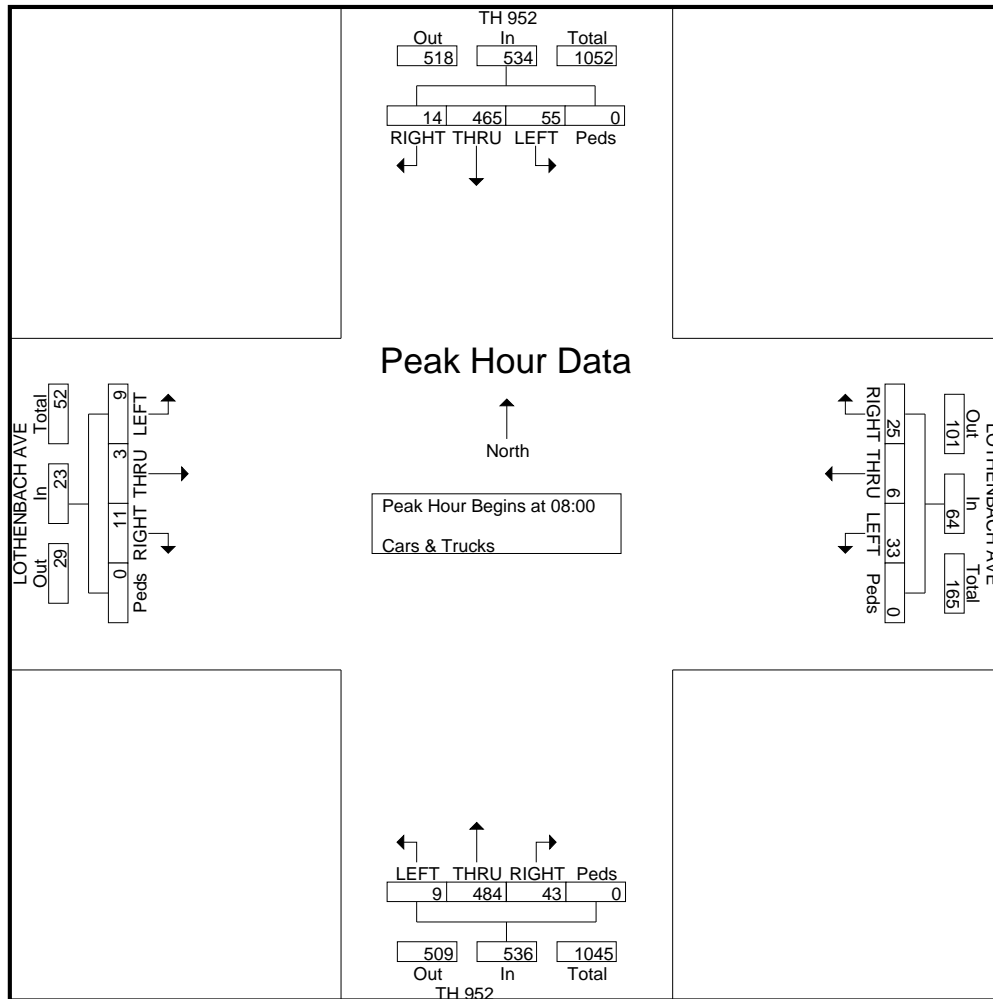


MINNESOTA DEPT OF TRANSPORTATION

TRAFFIC DATA COLLECTION - METRO

File Name : TH 952 AT LOTHENBACH AV 2006
 Site Code : 00000000
 Start Date : 6/22/2006
 Page No : 2

Start Time	TH 952 Southbound					LOTHENBACH AVE Westbound					TH 952 Northbound					LOTHENBACH AVE Eastbound					Int. Total
	LEFT	THRU	RIGHT	Peds	App. Total	LEFT	THRU	RIGHT	Peds	App. Total	LEFT	THRU	RIGHT	Peds	App. Total	LEFT	THRU	RIGHT	Peds	App. Total	
Peak Hour Analysis From 06:00 to 09:45 - Peak 1 of 1																					
Peak Hour for Entire Intersection Begins at 08:00																					
08:00	17	114	4	0	135	13	1	9	0	23	1	127	12	0	140	4	1	3	0	8	306
08:15	13	121	2	0	136	9	1	4	0	14	2	104	12	0	118	0	1	0	0	1	269
08:30	8	114	3	0	125	4	1	5	0	10	3	120	14	0	137	3	0	4	0	7	279
08:45	17	116	5	0	138	7	3	7	0	17	3	133	5	0	141	2	1	4	0	7	303
Total Volume	55	465	14	0	534	33	6	25	0	64	9	484	43	0	536	9	3	11	0	23	1157
% App. Total	10.3	87.1	2.6	0		51.6	9.4	39.1	0		1.7	90.3	8	0		39.1	13	47.8	0		
PHF	.809	.961	.700	.000	.967	.635	.500	.694	.000	.696	.750	.910	.768	.000	.950	.563	.750	.688	.000	.719	.945



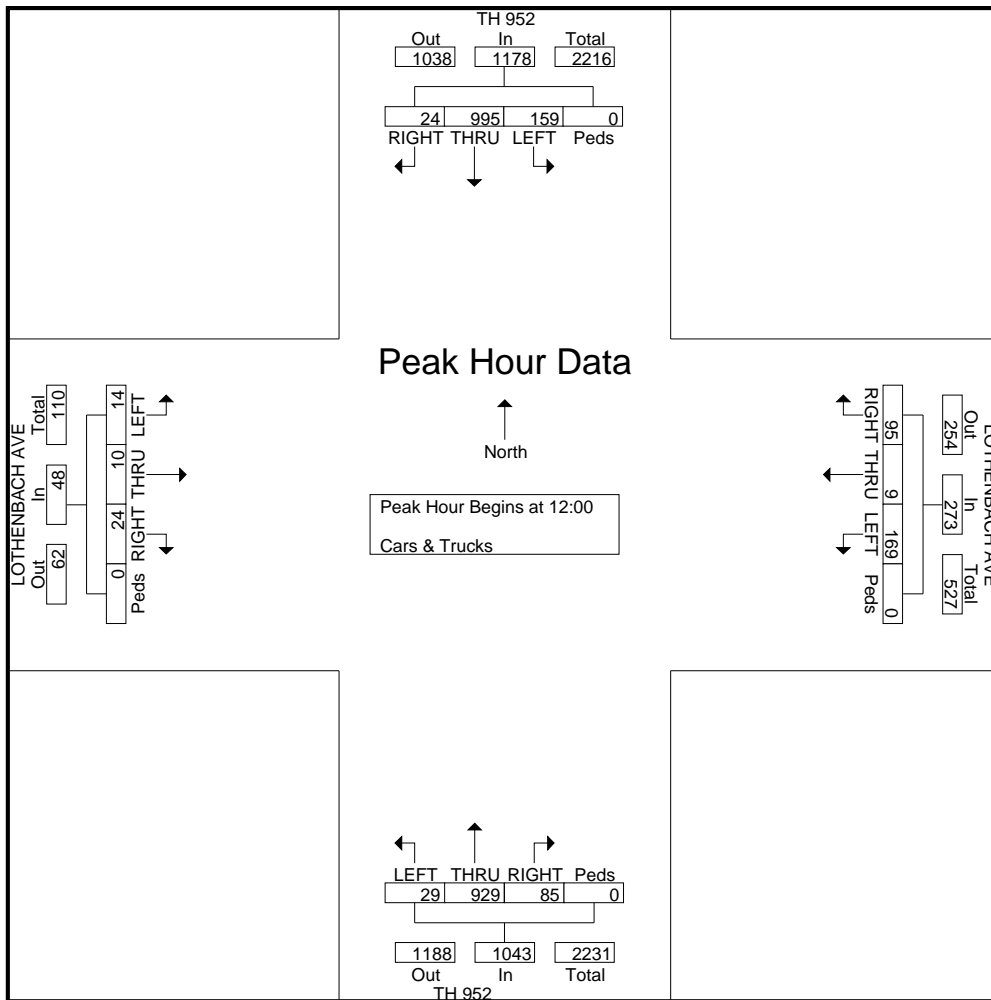


MINNESOTA DEPT OF TRANSPORTATION

TRAFFIC DATA COLLECTION - METRO

File Name : TH 952 AT LOTHENBACH AV 2006
 Site Code : 00000000
 Start Date : 6/22/2006
 Page No : 3

Start Time	TH 952 Southbound					LOTHENBACH AVE Westbound					TH 952 Northbound					LOTHENBACH AVE Eastbound					Int. Total
	LEFT	THRU	RIGHT	Peds	App. Total	LEFT	THRU	RIGHT	Peds	App. Total	LEFT	THRU	RIGHT	Peds	App. Total	LEFT	THRU	RIGHT	Peds	App. Total	
Peak Hour Analysis From 10:00 to 13:45 - Peak 1 of 1																					
Peak Hour for Entire Intersection Begins at 12:00																					
12:00	34	222	6	0	262	36	4	26	0	66	6	220	23	0	249	2	1	10	0	13	590
12:15	53	257	4	0	314	37	1	24	0	62	9	246	23	0	278	5	1	5	0	11	665
12:30	36	261	8	0	305	60	1	27	0	88	6	207	16	0	229	4	5	3	0	12	634
12:45	36	255	6	0	297	36	3	18	0	57	8	256	23	0	287	3	3	6	0	12	653
Total Volume	159	995	24	0	1178	169	9	95	0	273	29	929	85	0	1043	14	10	24	0	48	2542
% App. Total	13.5	84.5	2	0		61.9	3.3	34.8	0		2.8	89.1	8.1	0		29.2	20.8	50	0		
PHF	.750	.953	.750	.000	.938	.704	.563	.880	.000	.776	.806	.907	.924	.000	.909	.700	.500	.600	.000	.923	.956





MINNESOTA DEPT OF TRANSPORTATION

TRAFFIC DATA COLLECTION - METRO

File Name : TH 952 AT LOTHENBACH AV 2006
 Site Code : 00000000
 Start Date : 6/22/2006
 Page No : 4

Start Time	TH 952 Southbound					LOTHENBACH AVE Westbound					TH 952 Northbound					LOTHENBACH AVE Eastbound					Int. Total
	LEFT	THRU	RIGHT	Peds	App. Total	LEFT	THRU	RIGHT	Peds	App. Total	LEFT	THRU	RIGHT	Peds	App. Total	LEFT	THRU	RIGHT	Peds	App. Total	
Peak Hour Analysis From 14:00 to 17:45 - Peak 1 of 1																					
Peak Hour for Entire Intersection Begins at 16:30																					
16:30	30	231	5	0	266	32	4	28	0	64	7	212	25	0	244	7	2	4	0	13	587
16:45	39	205	7	0	251	38	2	21	0	61	5	214	17	0	236	10	5	5	0	20	568
17:00	40	232	2	0	274	41	4	26	0	71	6	239	17	0	262	2	3	1	0	6	613
17:15	33	215	5	0	253	50	2	26	0	78	2	251	25	0	278	1	3	6	0	10	619
Total Volume	142	883	19	0	1044	161	12	101	0	274	20	916	84	0	1020	20	13	16	0	49	2387
% App. Total	13.6	84.6	1.8	0		58.8	4.4	36.9	0		2	89.8	8.2	0		40.8	26.5	32.7	0		
PHF	.888	.952	.679	.000	.953	.805	.750	.902	.000	.878	.714	.912	.840	.000	.917	.500	.650	.667	.000	.613	.964

