

Alliant Engineering, Inc

233 Park Ave Suite 300

Minneapolis, MN 55415

--TRAFFIC DATA --

TH-36 at Manning Avenue
 Ref.Pt.: 16.721
 data by : Alliant Inc.
 TURN MOVEMENT COUNT

File Name : 302_TH 36 & Manning Ave
 Site Code : 302
 Start Date : 11/14/2017
 Page No : 1

Groups Printed- Vehicles - Trucks

Start Time	Manning Ave From North				TH 36 From East				Manning Ave From South				TH 36 From West				Int. Total
	Other	Left	Thru	Rght	Other	Left	Thru	Rght	Other	Left	Thru	Rght	Other	Left	Thru	Rght	
06:00 AM	0	26	0	74	0	0	296	14	0	1	2	0	0	8	99	0	520
06:15 AM	0	31	0	86	0	0	356	28	0	4	0	0	0	10	133	0	648
06:30 AM	0	48	0	84	0	0	351	36	0	1	1	0	0	27	151	0	699
06:45 AM	1	61	0	92	0	0	357	31	0	5	2	0	0	43	225	0	817
Total	1	166	0	336	0	0	1360	109	0	11	5	0	0	88	608	0	2684
07:00 AM	0	75	0	88	0	0	448	39	0	3	0	3	0	20	214	0	890
07:15 AM	0	104	0	104	0	0	395	59	0	3	0	5	0	39	235	0	944
07:30 AM	0	74	0	76	0	0	379	52	0	8	2	3	0	33	290	0	917
07:45 AM	0	70	0	78	0	1	365	59	0	3	0	1	0	39	283	0	899
Total	0	323	0	346	0	1	1587	209	0	17	2	12	0	131	1022	0	3650
08:00 AM	0	66	3	64	0	0	312	35	0	5	2	1	0	38	234	0	760
08:15 AM	0	59	0	68	0	1	306	50	0	7	1	1	0	41	236	2	772
08:30 AM	0	54	0	83	0	2	317	29	0	3	1	4	0	48	237	0	778
08:45 AM	1	72	0	64	0	0	283	38	0	4	1	2	0	62	232	0	759
Total	1	251	3	279	0	3	1218	152	0	19	5	8	0	189	939	2	3069
09:00 AM	0	55	15	49	0	1	225	37	0	2	0	2	0	41	215	2	644
09:15 AM	0	56	0	60	0	0	225	35	0	2	2	2	0	48	218	1	649
*** BREAK ***																	
Total	0	111	15	109	0	1	450	72	0	4	2	4	0	89	433	3	1293
*** BREAK ***																	
10:30 AM	0	58	0	52	0	0	252	55	0	3	0	1	0	34	230	3	688
10:45 AM	1	50	0	35	0	4	188	48	0	1	0	2	0	37	223	1	590
Total	1	108	0	87	0	4	440	103	0	4	0	3	0	71	453	4	1278
11:00 AM	0	47	0	42	0	1	242	43	0	2	0	4	0	31	207	1	620
11:15 AM	0	53	0	44	0	2	228	51	0	4	0	4	0	32	262	0	680
11:30 AM	4	52	0	37	0	1	231	67	0	4	1	3	0	49	192	0	641
11:45 AM	0	55	0	32	0	2	212	54	0	2	1	1	0	55	233	0	647
Total	4	207	0	155	0	6	913	215	0	12	2	12	0	167	894	1	2588
12:00 PM	0	47	0	33	2	1	253	47	0	0	0	3	0	35	225	1	647
12:15 PM	0	42	0	41	0	1	258	70	0	0	0	1	0	52	251	1	717
12:30 PM	0	56	0	51	0	6	272	71	0	0	3	0	0	40	249	3	751
12:45 PM	0	52	0	58	1	2	229	46	0	0	1	1	0	40	241	0	671
Total	0	197	0	183	3	10	1012	234	0	0	4	5	0	167	966	5	2786
01:00 PM	0	60	0	35	0	2	210	47	0	2	0	3	0	39	253	2	653
01:15 PM	1	64	0	32	0	0	231	51	0	0	0	2	0	59	234	1	675
*** BREAK ***																	
Total	1	124	0	67	0	2	441	98	0	2	0	5	0	98	487	3	1328
*** BREAK ***																	
02:30 PM	0	47	0	45	1	4	295	117	0	0	0	3	0	60	319	2	893
02:45 PM	0	57	0	53	0	1	299	89	0	1	0	2	0	74	360	2	938
Total	0	104	0	98	1	5	594	206	0	1	0	5	0	134	679	4	1831
03:00 PM	0	68	0	31	0	2	343	103	0	1	1	3	0	78	332	0	962
03:15 PM	0	71	0	42	1	4	316	92	0	4	1	3	0	98	453	1	1086
03:30 PM	0	81	0	41	1	3	315	97	0	3	2	3	0	93	397	0	1036
03:45 PM	0	76	0	53	1	1	292	88	0	0	0	5	2	104	441	2	1065
Total	0	296	0	167	3	10	1266	380	0	8	4	14	2	373	1623	3	4149
04:00 PM	0	40	0	30	1	0	275	88	0	0	0	2	0	93	427	1	957
04:15 PM	0	70	0	44	1	5	305	123	0	4	0	1	0	85	424	0	1062
04:30 PM	0	75	0	39	0	4	340	104	0	1	2	5	0	112	362	3	1047
04:45 PM	0	57	0	67	0	3	349	137	0	2	1	3	0	116	420	2	1157
Total	0	242	0	180	2	12	1269	452	0	7	3	11	0	406	1633	6	4223

Alliant Engineering, Inc

233 Park Ave Suite 300

Minneapolis, MN 55415

--TRAFFIC DATA --

TH-36 at Manning Avenue
 Ref.Pt.: 16.721
 data by : Alliant Inc.
 TURN MOVEMENT COUNT

File Name : 302_TH 36 & Manning Ave
 Site Code : 302
 Start Date : 11/14/2017
 Page No : 2

Groups Printed- Vehicles - Trucks

Start Time	Manning Ave From North				TH 36 From East				Manning Ave From South				TH 36 From West				Int. Total
	Other	Left	Thru	Rght	Other	Left	Thru	Rght	Other	Left	Thru	Rght	Other	Left	Thru	Rght	
05:00 PM	1	53	0	44	0	0	269	103	0	1	0	1	0	114	385	0	971
05:15 PM	0	70	0	50	0	0	274	96	0	1	2	3	0	108	308	0	912
05:30 PM	0	68	0	60	0	0	189	93	0	0	1	1	0	107	411	1	931
05:45 PM	0	68	0	46	0	0	228	104	0	0	0	0	0	84	369	0	899
Total	1	259	0	200	0	0	960	396	0	2	3	5	0	413	1473	1	3713
Grand Total	9	2388	18	2207	9	54	11510	2626	0	87	30	84	2	2326	11210	32	32592
Apprch %	0.2	51.7	0.4	47.7	0.1	0.4	81.1	18.5	0	43.3	14.9	41.8	0	17.1	82.6	0.2	
Total %	0	7.3	0.1	6.8	0	0.2	35.3	8.1	0	0.3	0.1	0.3	0	7.1	34.4	0.1	
Vehicles	5	2320	18	2148	9	52	11171	2561	0	80	27	80	2	2215	10646	26	31360
% Vehicles	55.6	97.2	100	97.3	100	96.3	97.1	97.5	0	92	90	95.2	100	95.2	95	81.2	96.2
Trucks	4	68	0	59	0	2	339	65	0	7	3	4	0	111	564	6	1232
% Trucks	44.4	2.8	0	2.7	0	3.7	2.9	2.5	0	8	10	4.8	0	4.8	5	18.8	3.8

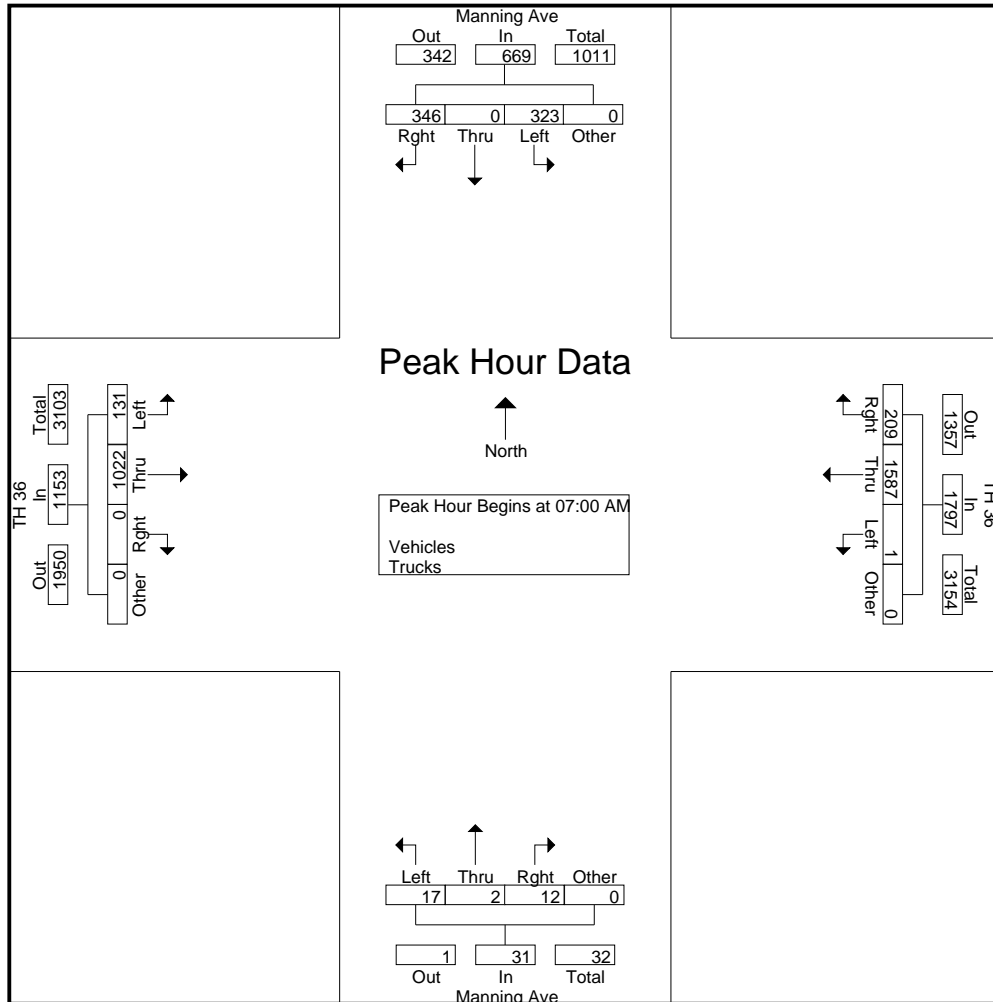
Alliant Engineering, Inc

233 Park Ave Suite 300
 Minneapolis, MN 55415
 --TRAFFIC DATA --

TH-36 at Manning Avenue
 Ref.Pt.: 16.721
 data by : Alliant Inc.
 TURN MOVEMENT COUNT

File Name : 302_TH 36 & Manning Ave
 Site Code : 302
 Start Date : 11/14/2017
 Page No : 3

Start Time	Manning Ave From North					TH 36 From East					Manning Ave From South					TH 36 From West					Int. Total
	Other	Left	Thru	Rght	App. Total	Other	Left	Thru	Rght	App. Total	Other	Left	Thru	Rght	App. Total	Other	Left	Thru	Rght	App. Total	
Peak Hour Analysis From 06:00 AM to 11:45 AM - Peak 1 of 1																					
Peak Hour for Entire Intersection Begins at 07:00 AM																					
07:00 AM	0	75	0	88	163	0	0	448	39	487	0	3	0	3	6	0	20	214	0	234	890
07:15 AM	0	104	0	104	208	0	0	395	59	454	0	3	0	5	8	0	39	235	0	274	944
07:30 AM	0	74	0	76	150	0	0	379	52	431	0	8	2	3	13	0	33	290	0	323	917
07:45 AM	0	70	0	78	148	0	1	365	59	425	0	3	0	1	4	0	39	283	0	322	899
Total Volume	0	323	0	346	669	0	1	1587	209	1797	0	17	2	12	31	0	131	1022	0	1153	3650
% App. Total	0	48.3	0	51.7		0	0.1	88.3	11.6		0	54.8	6.5	38.7		0	11.4	88.6	0		
PHF	.000	.776	.000	.832	.804	.000	.250	.886	.886	.922	.000	.531	.250	.600	.596	.000	.840	.881	.000	.892	.967



Alliant Engineering, Inc

233 Park Ave Suite 300
 Minneapolis, MN 55415
 --TRAFFIC DATA --

TH-36 at Manning Avenue
 Ref.Pt.: 16.721
 data by : Alliant Inc.
 TURN MOVEMENT COUNT

File Name : 302_TH 36 & Manning Ave
 Site Code : 302
 Start Date : 11/14/2017
 Page No : 4

Start Time	Manning Ave From North					TH 36 From East					Manning Ave From South					TH 36 From West					Int. Total
	Other	Left	Thru	Rght	App. Total	Other	Left	Thru	Rght	App. Total	Other	Left	Thru	Rght	App. Total	Other	Left	Thru	Rght	App. Total	
Peak Hour Analysis From 12:00 PM to 05:45 PM - Peak 1 of 1																					
Peak Hour for Entire Intersection Begins at 04:15 PM																					
04:15 PM	0	70	0	44	114	1	5	305	123	434	0	4	0	1	5	0	85	424	0	509	1062
04:30 PM	0	75	0	39	114	0	4	340	104	448	0	1	2	5	8	0	112	362	3	477	1047
04:45 PM	0	57	0	67	124	0	3	349	137	489	0	2	1	3	6	0	116	420	2	538	1157
05:00 PM	1	53	0	44	98	0	0	269	103	372	0	1	0	1	2	0	114	385	0	499	971
Total Volume	1	255	0	194	450	1	12	1263	467	1743	0	8	3	10	21	0	427	1591	5	2023	4237
% App. Total	0.2	56.7	0	43.1		0.1	0.7	72.5	26.8		0	38.1	14.3	47.6		0	21.1	78.6	0.2		
PHF	.250	.850	.000	.724	.907	.250	.600	.905	.852	.891	.000	.500	.375	.500	.656	.000	.920	.938	.417	.940	.916

