

Alliant Engineering, Inc

733 Marquette Ave, Ste 700
 Minneapolis, MN 55402

--TRAFFIC DATA--

412_TH 41 & Lyman Boulevard
 Ref. Pt.: 6.23
 data by: Alliant Inc.
 TURN MOVEMENT COUNT

File Name : 412_TH 41 & Lyman Boulevard
 Site Code : 00000412
 Start Date : 9/19/2018
 Page No : 1

Groups Printed- Class 1 - Class 2

Start Time	TH 41 From North					Lyman Boulevard From East					TH 41 From South					Lyman Boulevard From West					Int. Total
	Left	Thru	Right	Peds	App. Total	Left	Thru	Right	Peds	App. Total	Left	Thru	Right	Peds	App. Total	Left	Thru	Right	Peds	App. Total	
06:00 AM	9	23	4	0	36	5	7	4	0	16	6	26	17	0	49	1	0	1	0	2	103
06:15 AM	11	41	2	0	54	1	5	6	0	12	0	37	26	0	63	0	0	0	0	0	129
06:30 AM	16	38	7	0	61	11	9	5	0	25	5	58	36	0	99	0	0	0	0	0	185
06:45 AM	23	59	9	0	91	6	9	8	0	23	10	97	42	0	149	0	0	0	0	0	263
Total	59	161	22	0	242	23	30	23	0	76	21	218	121	0	360	1	0	1	0	2	680
07:00 AM	28	69	13	0	110	9	7	5	0	21	11	102	31	0	144	1	0	1	0	2	277
07:15 AM	37	65	3	0	105	16	6	14	0	36	8	92	52	0	152	0	1	0	0	1	294
07:30 AM	73	69	8	0	150	15	3	10	0	28	13	146	40	0	199	0	0	0	0	0	377
07:45 AM	58	89	15	0	162	27	11	10	0	48	10	131	39	0	180	0	4	1	0	5	395
Total	196	292	39	0	527	67	27	39	0	133	42	471	162	0	675	1	5	2	0	8	1343
08:00 AM	31	76	12	0	119	23	9	9	0	41	8	110	47	0	165	3	1	0	0	4	329
08:15 AM	29	87	6	0	122	13	7	13	0	33	9	124	38	0	171	2	4	2	0	8	334
08:30 AM	23	79	0	0	102	19	9	6	0	34	2	115	24	0	141	3	2	1	0	6	283
08:45 AM	16	86	7	0	109	9	4	6	0	19	7	110	16	0	133	2	3	0	0	5	266
Total	99	328	25	0	452	64	29	34	0	127	26	459	125	0	610	10	10	3	0	23	1212
09:00 AM	11	77	4	0	92	11	6	10	0	27	2	96	19	0	117	1	4	1	0	6	242
09:15 AM	8	72	2	0	82	17	5	5	0	27	0	75	12	0	87	2	3	1	0	6	202
*** BREAK ***																					
Total	19	149	6	0	174	28	11	15	0	54	2	171	31	0	204	3	7	2	0	12	444
*** BREAK ***																					
10:30 AM	3	64	2	0	69	18	3	7	0	28	1	67	7	0	75	0	2	5	0	7	179
10:45 AM	6	78	1	0	85	13	2	8	0	23	2	78	16	0	96	2	2	2	0	6	210
Total	9	142	3	0	154	31	5	15	0	51	3	145	23	0	171	2	4	7	0	13	389
11:00 AM	10	65	2	0	77	16	2	10	0	28	4	91	15	0	110	0	3	5	0	8	223
11:15 AM	9	100	4	0	113	15	3	9	0	27	3	98	13	0	114	1	1	4	0	6	260
11:30 AM	6	81	4	0	91	37	3	13	0	53	1	81	12	0	94	4	6	5	0	15	253
11:45 AM	9	77	3	0	89	28	2	12	0	42	1	82	19	0	102	5	2	14	0	21	254
Total	34	323	13	0	370	96	10	44	0	150	9	352	59	0	420	10	12	28	0	50	990
12:00 PM	9	101	1	0	111	51	3	11	0	65	7	99	9	0	115	5	5	6	0	16	307
12:15 PM	4	86	5	0	95	34	3	9	0	46	9	98	30	0	137	0	1	9	0	10	288
12:30 PM	5	111	4	0	120	25	4	7	0	36	6	109	27	0	142	1	1	5	0	7	305
12:45 PM	7	106	3	0	116	23	4	8	0	35	9	97	38	0	144	1	3	2	0	6	301
Total	25	404	13	0	442	133	14	35	0	182	31	403	104	0	538	7	10	22	0	39	1201
01:00 PM	10	87	5	0	102	12	1	10	0	23	5	102	20	0	127	1	2	4	0	7	259
01:15 PM	12	88	1	0	101	17	2	10	0	29	2	99	18	0	119	1	5	1	0	7	256
*** BREAK ***																					
Total	22	175	6	0	203	29	3	20	0	52	7	201	38	0	246	2	7	5	0	14	515
*** BREAK ***																					
02:30 PM	15	87	1	0	103	22	2	29	0	53	3	96	23	0	122	5	5	9	0	19	297
02:45 PM	16	94	2	0	112	36	4	35	0	75	3	91	16	0	110	3	7	5	0	15	312
Total	31	181	3	0	215	58	6	64	0	128	6	187	39	0	232	8	12	14	0	34	609
03:00 PM	11	109	2	0	122	76	5	38	0	119	1	110	5	0	116	3	3	5	0	11	368
03:15 PM	10	150	0	0	160	48	1	18	0	67	0	106	11	0	117	4	13	4	0	21	365
03:30 PM	9	132	1	0	142	60	1	20	0	81	2	116	13	0	131	6	4	10	0	20	374
03:45 PM	9	104	1	0	114	42	2	29	0	73	0	110	16	0	126	7	5	4	0	16	329
Total	39	495	4	0	538	226	9	105	0	340	3	442	45	0	490	20	25	23	0	68	1436

Alliant Engineering, Inc

733 Marquette Ave, Ste 700
 Minneapolis, MN 55402

--TRAFFIC DATA--

412_TH 41 & Lyman Boulevard
 Ref. Pt.: 6.23
 data by: Alliant Inc.
 TURN MOVEMENT COUNT

File Name : 412_TH 41 & Lyman Boulevard
 Site Code : 00000412
 Start Date : 9/19/2018
 Page No : 2

Groups Printed- Class 1 - Class 2

Start Time	TH 41 From North					Lyman Boulevard From East					TH 41 From South					Lyman Boulevard From West					Int. Total
	Left	Thru	Right	Peds	App. Total	Left	Thru	Right	Peds	App. Total	Left	Thru	Right	Peds	App. Total	Left	Thru	Right	Peds	App. Total	
04:00 PM	10	113	0	0	123	53	3	60	0	116	0	116	18	0	134	8	4	7	0	19	392
04:15 PM	11	136	1	0	148	56	3	44	0	103	2	108	11	0	121	11	6	10	0	27	399
04:30 PM	4	122	1	0	127	82	0	52	0	134	2	100	17	0	119	14	11	8	0	33	413
04:45 PM	8	141	0	0	149	55	1	32	0	88	0	126	26	0	152	9	14	6	0	29	418
Total	33	512	2	0	547	246	7	188	0	441	4	450	72	0	526	42	35	31	0	108	1622
05:00 PM	16	162	0	0	178	60	0	42	0	102	1	132	14	0	147	15	10	10	0	35	462
05:15 PM	8	136	1	0	145	58	1	32	0	91	0	107	20	0	127	6	5	2	0	13	376
05:30 PM	12	139	1	0	152	46	0	32	0	78	0	107	18	0	125	6	2	5	0	13	368
05:45 PM	13	121	2	0	136	49	1	21	0	71	1	109	16	0	126	1	6	0	0	7	340
Total	49	558	4	0	611	213	2	127	0	342	2	455	68	0	525	28	23	17	0	68	1546
Grand Total	615	3720	140	0	4475	1214	153	709	0	2076	156	3954	887	0	4997	134	150	155	0	439	11987
Apprch %	13.7	83.1	3.1	0		58.5	7.4	34.2	0		3.1	79.1	17.8	0		30.5	34.2	35.3	0		
Total %	5.1	31	1.2	0	37.3	10.1	1.3	5.9	0	17.3	1.3	33	7.4	0	41.7	1.1	1.3	1.3	0	3.7	
Class 1	561	3535	136	0	4232	1174	144	645	0	1963	150	3754	850	0	4754	130	140	148	0	418	11367
% Class 1	91.2	95	97.1	0	94.6	96.7	94.1	91	0	94.6	96.2	94.9	95.8	0	95.1	97	93.3	95.5	0	95.2	94.8
Class 2	54	185	4	0	243	40	9	64	0	113	6	200	37	0	243	4	10	7	0	21	620
% Class 2	8.8	5	2.9	0	5.4	3.3	5.9	9	0	5.4	3.8	5.1	4.2	0	4.9	3	6.7	4.5	0	4.8	5.2

Alliant Engineering, Inc

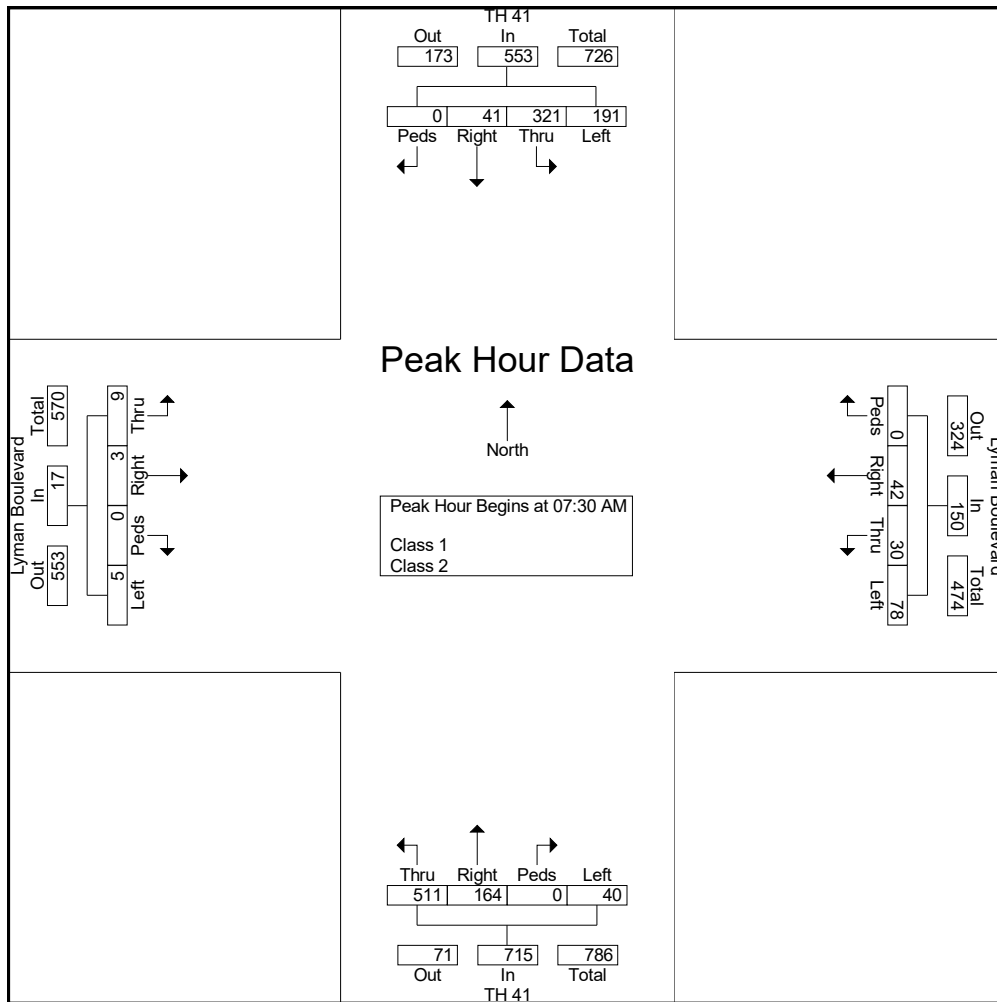
733 Marquette Ave, Ste 700
 Minneapolis, MN 55402

--TRAFFIC DATA--

412_TH 41 & Lyman Boulevard
 Ref. Pt.: 6.23
 data by: Alliant Inc.
 TURN MOVEMENT COUNT

File Name : 412_TH 41 & Lyman Boulevard
 Site Code : 00000412
 Start Date : 9/19/2018
 Page No : 3

Start Time	TH 41 From North					Lyman Boulevard From East					TH 41 From South					Lyman Boulevard From West					Int. Total
	Left	Thru	Right	Peds	App. Total	Left	Thru	Right	Peds	App. Total	Left	Thru	Right	Peds	App. Total	Left	Thru	Right	Peds	App. Total	
Peak Hour Analysis From 06:00 AM to 11:45 AM - Peak 1 of 1																					
Peak Hour for Entire Intersection Begins at 07:30 AM																					
07:30 AM	73	69	8	0	150	15	3	10	0	28	13	146	40	0	199	0	0	0	0	0	377
07:45 AM	58	89	15	0	162	27	11	10	0	48	10	131	39	0	180	0	4	1	0	5	395
08:00 AM	31	76	12	0	119	23	9	9	0	41	8	110	47	0	165	3	1	0	0	4	329
08:15 AM	29	87	6	0	122	13	7	13	0	33	9	124	38	0	171	2	4	2	0	8	334
Total Volume	191	321	41	0	553	78	30	42	0	150	40	511	164	0	715	5	9	3	0	17	1435
% App. Total	34.5	58	7.4	0		52	20	28	0		5.6	71.5	22.9	0		29.4	52.9	17.6	0		
PHF	.654	.902	.683	.000	.853	.722	.682	.808	.000	.781	.769	.875	.872	.000	.898	.417	.563	.375	.000	.531	.908



Alliant Engineering, Inc

733 Marquette Ave, Ste 700
 Minneapolis, MN 55402

--TRAFFIC DATA--

412_TH 41 & Lyman Boulevard
 Ref. Pt.: 6.23
 data by: Alliant Inc.
 TURN MOVEMENT COUNT

File Name : 412_TH 41 & Lyman Boulevard
 Site Code : 00000412
 Start Date : 9/19/2018
 Page No : 4

Start Time	TH 41 From North					Lyman Boulevard From East					TH 41 From South					Lyman Boulevard From West					Int. Total
	Left	Thru	Right	Peds	App. Total	Left	Thru	Right	Peds	App. Total	Left	Thru	Right	Peds	App. Total	Left	Thru	Right	Peds	App. Total	
Peak Hour Analysis From 12:00 PM to 05:45 PM - Peak 1 of 1																					
Peak Hour for Entire Intersection Begins at 04:15 PM																					
04:15 PM	11	136	1	0	148	56	3	44	0	103	2	108	11	0	121	11	6	10	0	27	399
04:30 PM	4	122	1	0	127	82	0	52	0	134	2	100	17	0	119	14	11	8	0	33	413
04:45 PM	8	141	0	0	149	55	1	32	0	88	0	126	26	0	152	9	14	6	0	29	418
05:00 PM	16	162	0	0	178	60	0	42	0	102	1	132	14	0	147	15	10	10	0	35	462
Total Volume	39	561	2	0	602	253	4	170	0	427	5	466	68	0	539	49	41	34	0	124	1692
% App. Total	6.5	93.2	0.3	0		59.3	0.9	39.8	0		0.9	86.5	12.6	0		39.5	33.1	27.4	0		
PHF	.609	.866	.500	.000	.846	.771	.333	.817	.000	.797	.625	.883	.654	.000	.887	.817	.732	.850	.000	.886	.916

