

ALLIANT ENGINEERING, INC.

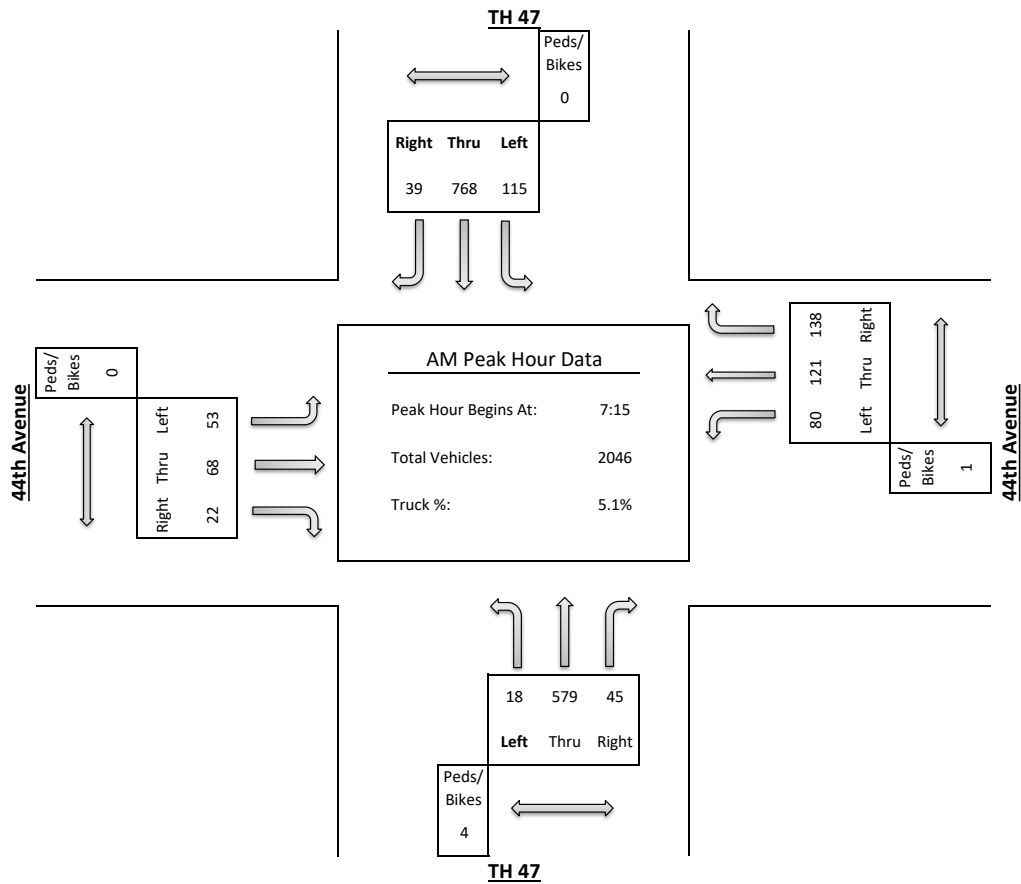
733 S Marquette Ave #700, Minneapolis, MN 55402

Intersection: TH 47 & 44th Avenue
 Date: 3/19/2024
 Duration: 0600-1800

Site Code: 603
 Ref Pt: N/A
 Page No: 2 of 4

All Vehicles (Cars & Trucks) Printed

Start Time	TH 47 Southbound						44th Avenue Westbound						TH 47 Northbound						44th Avenue Eastbound						Int. Veh. Total	Int. Ped/Bike Total
	U-Turn	Left	Thru	Right	App. Total	Peds/Bikes	U-Turn	Left	Thru	Right	App. Total	Peds/Bikes	U-Turn	Left	Thru	Right	App. Total	Peds/Bikes	U-Turn	Left	Thru	Right	App. Total	Peds/Bikes		
7:15	2	47	141	4	194	--	--	21	27	40	88	--	--	5	113	18	136	2	--	9	16	5	30	--	448	2
7:30	--	31	192	13	236	--	--	21	35	35	91	--	1	6	144	8	159	--	--	14	17	6	37	--	523	--
7:45	--	19	240	10	269	--	--	19	36	36	91	--	--	4	186	11	201	2	--	17	19	5	41	--	602	2
8:00	--	16	195	12	223	--	--	19	23	27	69	1	--	2	136	8	146	--	--	13	16	6	35	--	473	1
Hour Total	2	113	768	39	922	--	--	80	121	138	339	1	1	17	579	45	642	4	--	53	68	22	143	--	2046	5
% of App.	0.2%	12.3%	83.3%	4.2%			0.0%	23.6%	35.7%	40.7%			0.2%	2.6%	90.2%	7.0%			0.0%	37.1%	47.6%	15.4%				
% of Total	0.1%	5.5%	37.5%	1.9%	45.1%	0.0%	0.0%	3.9%	5.9%	6.7%	16.6%	20.0%	0.0%	0.8%	28.3%	2.2%	31.4%	80.0%	0.0%	2.6%	3.3%	1.1%	7.0%	0.0%		
Cars Total	2	108	723	34	867	--	--	79	116	126	321	1	1	17	555	42	615	4	--	51	65	22	138	--	1941	5
Cars % of Movement	100%	95.6%	94.1%	87.2%	94.0%	0.0%	0.0%	98.8%	95.9%	91.3%	94.7%	20.0%	100%	100%	95.9%	93.3%	95.8%	80.0%	0.0%	96.2%	95.6%	100%	96.5%	0.0%	94.9%	
Trucks Total	--	5	45	5	55	--	--	1	5	12	18	--	--	--	24	3	27	--	--	2	3	--	5	--	105	--
Trucks % of Movement	0.0%	4.4%	5.9%	12.8%	6.0%	--	0.0%	1.3%	4.1%	8.7%	5.3%	--	0.0%	0.0%	4.1%	6.7%	4.2%	--	0.0%	3.8%	4.4%	0.0%	3.5%	--	5.1%	



ALLIANT ENGINEERING, INC.

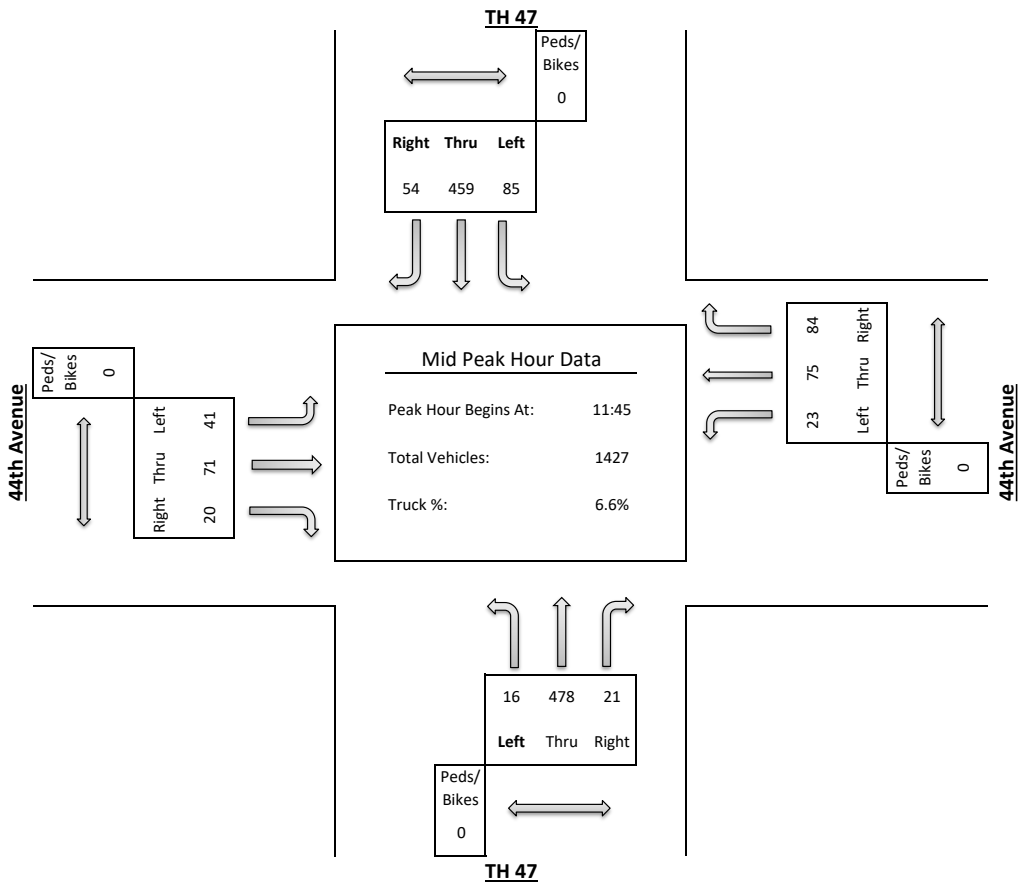
733 S Marquette Ave #700, Minneapolis, MN 55402

Intersection: TH 47 & 44th Avenue
 Date: 3/19/2024
 Duration: 0600-1800

Site Code: 603
 Ref Pt: N/A
 Page No: 3 of 4

All Vehicles (Cars & Trucks) Printed

Start Time	TH 47 Southbound						44th Avenue Westbound						TH 47 Northbound						44th Avenue Eastbound						Int. Veh. Total	Int. Ped/Bike Total
	U-Turn	Left	Thru	Right	App. Total	Peds/Bikes	U-Turn	Left	Thru	Right	App. Total	Peds/Bikes	U-Turn	Left	Thru	Right	App. Total	Peds/Bikes	U-Turn	Left	Thru	Right	App. Total	Peds/Bikes		
11:45	--	19	131	16	166	--	--	8	19	22	49	--	--	4	120	9	133	--	--	11	19	4	34	--	382	--
12:00	--	15	107	13	135	--	--	6	24	23	53	--	1	3	119	3	126	--	--	11	17	4	32	--	346	--
12:15	3	24	114	11	152	--	--	4	20	25	49	--	--	4	113	6	123	--	--	9	19	5	33	--	357	--
12:30	2	22	107	14	145	--	--	5	12	14	31	--	--	4	126	3	133	--	--	10	16	7	33	--	342	--
Hour Total	5	80	459	54	598	--	--	23	75	84	182	--	1	15	478	21	515	--	--	41	71	20	132	--	1427	--
% of App.	0.8%	13.4%	76.8%	9.0%			0.0%	12.6%	41.2%	46.2%			0.2%	2.9%	92.8%	4.1%			0.0%	31.1%	53.8%	15.2%				
% of Total	0.4%	5.6%	32.2%	3.8%	41.9%	--	0.0%	1.6%	5.3%	5.9%	12.8%	--	0.1%	1.1%	33.5%	1.5%	36.1%	--	0.0%	2.9%	5.0%	1.4%	9.3%	--		
Cars Total	5	79	415	46	545	--	--	23	73	82	178	--	1	15	448	21	485	--	--	35	71	19	125	--	1333	--
Cars % of Movement	100%	98.8%	90.4%	85.2%	91.1%	--	0.0%	100%	97.3%	97.6%	97.8%	--	100%	100%	93.7%	100%	94.2%	--	0.0%	85.4%	100%	95.0%	94.7%	--	93.4%	--
Trucks Total	--	1	44	8	53	--	--	--	2	2	4	--	--	--	30	--	30	--	--	6	--	1	7	--	94	--
Trucks % of Movement	0.0%	1.3%	9.6%	14.8%	8.9%	--	0.0%	0.0%	2.7%	2.4%	2.2%	--	0.0%	0.0%	6.3%	0.0%	5.8%	--	0.0%	14.6%	0.0%	5.0%	5.3%	--	6.6%	--



ALLIANT ENGINEERING, INC.

733 S Marquette Ave #700, Minneapolis, MN 55402

Intersection: TH 47 & 44th Avenue
 Date: 3/19/2024
 Duration: 0600-1800

Site Code: 603
 Ref Pt: N/A
 Page No: 4 of 4

All Vehicles (Cars & Trucks) Printed

Start Time	TH 47 Southbound						44th Avenue Westbound						TH 47 Northbound						44th Avenue Eastbound						Int. Veh. Total	Int. Ped/Bike Total
	U-Turn	Left	Thru	Right	App. Total	Peds/Bikes	U-Turn	Left	Thru	Right	App. Total	Peds/Bikes	U-Turn	Left	Thru	Right	App. Total	Peds/Bikes	U-Turn	Left	Thru	Right	App. Total	Peds/Bikes		
16:00	1	32	166	20	219	--	--	15	32	26	73	--	--	5	233	20	258	--	--	11	34	12	57	--	607	--
16:15	--	38	142	18	198	--	--	22	31	28	81	--	--	14	206	14	234	--	--	19	43	8	70	--	583	--
16:30	--	50	147	20	217	--	--	11	32	24	67	--	--	9	251	24	284	1	--	25	40	4	69	--	637	1
16:45	--	36	168	10	214	--	--	19	32	24	75	1	--	15	189	15	219	1	--	21	39	11	71	--	579	2
Hour Total	1	156	623	68	848	--	--	67	127	102	296	1	--	43	879	73	995	2	--	76	156	35	267	--	2406	3
% of App.	0.1%	18.4%	73.5%	8.0%			0.0%	22.6%	42.9%	34.5%			0.0%	4.3%	88.3%	7.3%			0.0%	28.5%	58.4%	13.1%				
% of Total	0.0%	6.5%	25.9%	2.8%	35.2%	0.0%	0.0%	2.8%	5.3%	4.2%	12.3%	33.3%	0.0%	1.8%	36.5%	3.0%	41.4%	66.7%	0.0%	3.2%	6.5%	1.5%	11.1%	0.0%		
Cars Total	1	152	611	66	830	--	--	67	126	102	295	1	--	42	861	72	975	1	--	74	155	34	263	--	2363	2
Cars % of Movement	100%	97.4%	98.1%	97.1%	97.9%	0.0%	0.0%	100%	99.2%	100%	99.7%	50.0%	0.0%	97.7%	98.0%	98.6%	98.0%	50.0%	0.0%	97.4%	99.4%	97.1%	98.5%	0.0%	98.2%	
Trucks Total	--	4	12	2	18	--	--	--	1	--	1	--	--	1	18	1	20	1	--	2	1	1	4	--	43	1
Trucks % of Movement	0.0%	2.6%	1.9%	2.9%	2.1%	0.0%	0.0%	0.0%	0.8%	0.0%	0.3%	0.0%	0.0%	2.3%	2.0%	1.4%	2.0%	#####	0.0%	2.6%	0.6%	2.9%	1.5%	0.0%	1.8%	

