



# ALLIANT ENGINEERING, INC.

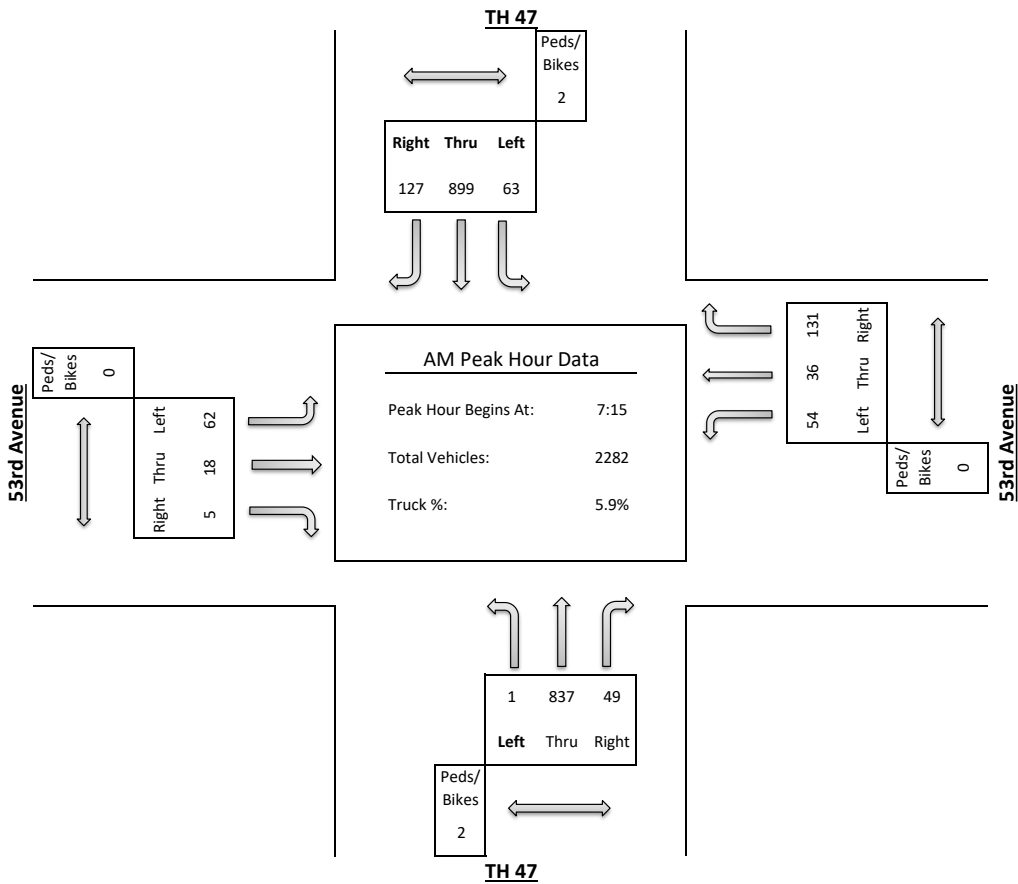
733 S Marquette Ave #700, Minneapolis, MN 55402

Intersection: TH 47 & 53rd Avenue  
 Date: 3/19/2024  
 Duration: 0600-1800

Site Code: 605  
 Ref Pt: N/A  
 Page No: 2 of 4

All Vehicles (Cars & Trucks) Printed

Start Time	TH 47 Southbound						53rd Avenue Westbound						TH 47 Northbound						53rd Avenue Eastbound						Int. Veh. Total	Int. Ped/Bike Total
	U-Turn	Left	Thru	Right	App. Total	Peds/Bikes	U-Turn	Left	Thru	Right	App. Total	Peds/Bikes	U-Turn	Left	Thru	Right	App. Total	Peds/Bikes	U-Turn	Left	Thru	Right	App. Total	Peds/Bikes		
7:15	--	8	208	35	251	--	--	8	6	31	45	--	--	--	176	11	187	--	--	16	5	2	23	--	506	--
7:30	--	26	235	37	298	--	--	11	9	35	55	--	--	1	235	4	240	1	--	19	5	3	27	--	620	1
7:45	1	15	264	29	309	--	--	12	15	39	66	--	--	--	245	18	263	--	--	16	3	--	19	--	657	--
8:00	--	13	192	26	231	2	--	23	6	26	55	--	--	--	181	16	197	1	--	11	5	--	16	--	499	3
Hour Total	1	62	899	127	1089	2	--	54	36	131	221	--	--	1	837	49	887	2	--	62	18	5	85	--	2282	4
% of App.	0.1%	5.7%	82.6%	11.7%			0.0%	24.4%	16.3%	59.3%			0.0%	0.1%	94.4%	5.5%			0.0%	72.9%	21.2%	5.9%				
% of Total	0.0%	2.7%	39.4%	5.6%	47.7%	50.0%	0.0%	2.4%	1.6%	5.7%	9.7%	0.0%	0.0%	0.0%	36.7%	2.1%	38.9%	50.0%	0.0%	2.7%	0.8%	0.2%	3.7%	0.0%		
Cars Total	1	56	845	115	1017	2	--	54	32	126	212	--	--	1	798	46	845	2	--	54	15	5	74	--	2148	4
Cars % of Movement	100%	90.3%	94.0%	90.6%	93.4%	50.0%	0.0%	100%	88.9%	96.2%	95.9%	0.0%	0.0%	100%	95.3%	93.9%	95.3%	50.0%	0.0%	87.1%	83.3%	100%	87.1%	0.0%	94.1%	
Trucks Total	--	6	54	12	72	--	--	--	4	5	9	--	--	--	39	3	42	--	--	8	3	--	11	--	134	--
Trucks % of Movement	0.0%	9.7%	6.0%	9.4%	6.6%	--	0.0%	0.0%	11.1%	3.8%	4.1%	--	0.0%	0.0%	4.7%	6.1%	4.7%	--	0.0%	12.9%	16.7%	0.0%	12.9%	--	5.9%	



# ALLIANT ENGINEERING, INC.

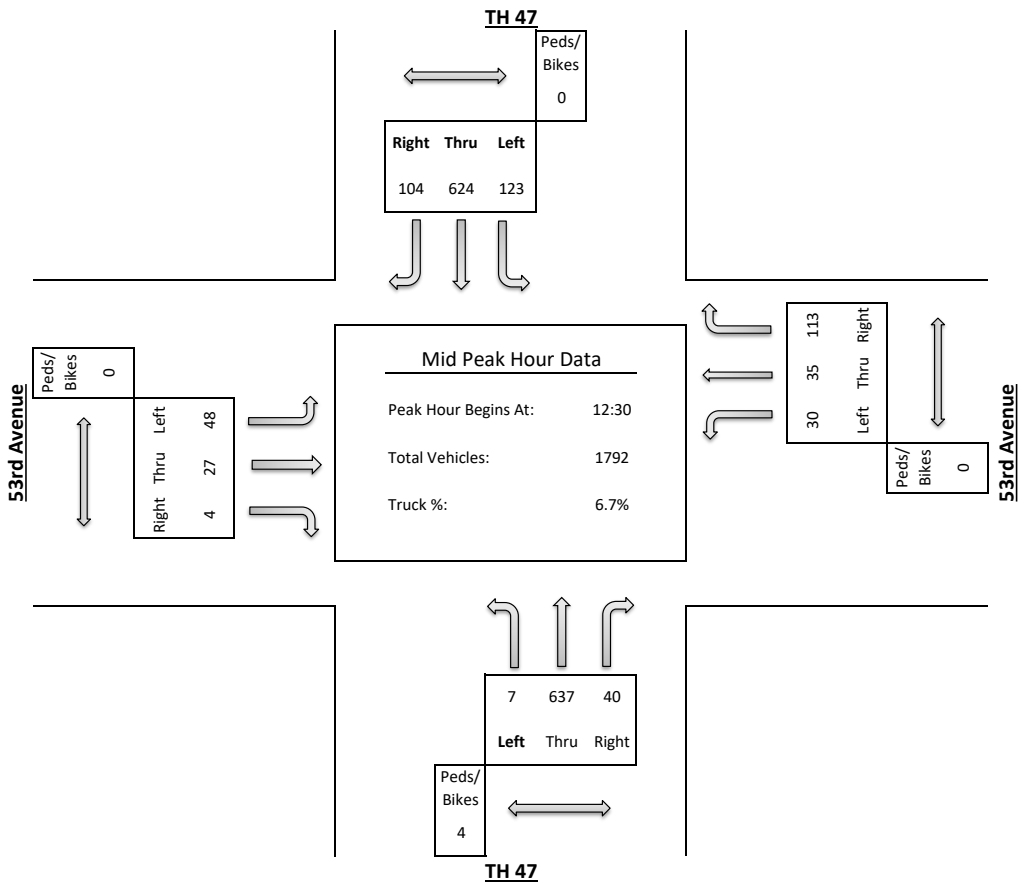
733 S Marquette Ave #700, Minneapolis, MN 55402

Intersection: TH 47 & 53rd Avenue  
 Date: 3/19/2024  
 Duration: 0600-1800

Site Code: 605  
 Ref Pt: N/A  
 Page No: 3 of 4

All Vehicles (Cars & Trucks) Printed

Start Time	TH 47 Southbound						53rd Avenue Westbound						TH 47 Northbound						53rd Avenue Eastbound						Int. Veh. Total	Int. Ped/Bike Total
	U-Turn	Left	Thru	Right	App. Total	Peds/Bikes	U-Turn	Left	Thru	Right	App. Total	Peds/Bikes	U-Turn	Left	Thru	Right	App. Total	Peds/Bikes	U-Turn	Left	Thru	Right	App. Total	Peds/Bikes		
12:30	2	27	150	18	197	--	--	3	13	29	45	--	1	4	148	10	163	--	--	9	6	--	15	--	420	--
12:45	2	35	154	36	227	--	--	7	3	30	40	--	--	1	151	12	164	2	--	17	10	--	27	--	458	2
13:00	2	30	151	31	214	--	--	11	6	23	40	--	--	--	160	6	166	--	--	13	4	1	18	--	438	--
13:15	--	25	169	19	213	--	--	9	13	31	53	--	--	1	178	12	191	2	--	9	7	3	19	--	476	2
<b>Hour Total</b>	6	117	624	104	851	--	--	30	35	113	178	--	1	6	637	40	684	4	--	48	27	4	79	--	1792	4
% of App.	0.7%	13.7%	73.3%	12.2%			0.0%	16.9%	19.7%	63.5%			0.1%	0.9%	93.1%	5.8%			0.0%	60.8%	34.2%	5.1%				
% of Total	0.3%	6.5%	34.8%	5.8%	47.5%	0.0%	0.0%	1.7%	2.0%	6.3%	9.9%	0.0%	0.1%	0.3%	35.5%	2.2%	38.2%	#####	0.0%	2.7%	1.5%	0.2%	4.4%	0.0%		
Cars Total	6	114	579	93	792	--	--	30	33	110	173	--	1	6	586	40	633	4	--	44	27	3	74	--	1672	4
Cars % of Movement	100%	97.4%	92.8%	89.4%	93.1%	0.0%	0.0%	100%	94.3%	97.3%	97.2%	0.0%	100%	100%	92.0%	100%	92.5%	#####	0.0%	91.7%	100%	75.0%	93.7%	0.0%	93.3%	
Trucks Total	--	3	45	11	59	--	--	--	2	3	5	--	--	--	51	--	51	--	--	4	--	1	5	--	120	--
Trucks % of Movement	0.0%	2.6%	7.2%	10.6%	6.9%	--	0.0%	0.0%	5.7%	2.7%	2.8%	--	0.0%	0.0%	8.0%	0.0%	7.5%	--	0.0%	8.3%	0.0%	25.0%	6.3%	--	6.7%	



# ALLIANT ENGINEERING, INC.

733 S Marquette Ave #700, Minneapolis, MN 55402

Intersection: TH 47 & 53rd Avenue  
 Date: 3/19/2024  
 Duration: 0600-1800

Site Code: 605  
 Ref Pt: N/A  
 Page No: 4 of 4

All Vehicles (Cars & Trucks) Printed

Start Time	TH 47 Southbound						53rd Avenue Westbound						TH 47 Northbound						53rd Avenue Eastbound						Int. Veh. Total	Int. Ped/Bike Total
	U-Turn	Left	Thru	Right	App. Total	Peds/Bikes	U-Turn	Left	Thru	Right	App. Total	Peds/Bikes	U-Turn	Left	Thru	Right	App. Total	Peds/Bikes	U-Turn	Left	Thru	Right	App. Total	Peds/Bikes		
15:15	1	42	260	31	334	2	--	13	8	40	61	--	--	2	221	18	241	2	--	18	9	4	31	--	667	4
15:30	--	42	231	29	302	1	--	10	13	43	66	2	--	3	278	18	299	3	--	31	7	1	39	--	706	6
15:45	--	44	196	33	273	--	--	18	10	43	71	--	2	4	212	21	239	2	--	10	8	--	18	--	601	2
16:00	2	42	221	31	296	1	--	20	10	53	83	--	--	3	244	23	270	--	--	15	7	2	24	1	673	2
Hour Total	3	170	908	124	1205	4	--	61	41	179	281	2	2	12	955	80	1049	7	--	74	31	7	112	1	2647	14
% of App.	0.2%	14.1%	75.4%	10.3%			0.0%	21.7%	14.6%	63.7%			0.2%	1.1%	91.0%	7.6%			0.0%	66.1%	27.7%	6.3%				
% of Total	0.1%	6.4%	34.3%	4.7%	45.5%	28.6%	0.0%	2.3%	1.5%	6.8%	10.6%	14.3%	0.1%	0.5%	36.1%	3.0%	39.6%	50.0%	0.0%	2.8%	1.2%	0.3%	4.2%	7.1%		
Cars Total	3	164	886	115	1168	4	--	59	37	172	268	2	2	12	926	79	1019	7	--	70	28	7	105	1	2560	14
Cars % of Movement	100%	96.5%	97.6%	92.7%	96.9%	28.6%	0.0%	96.7%	90.2%	96.1%	95.4%	14.3%	100%	100%	97.0%	98.8%	97.1%	50.0%	0.0%	94.6%	90.3%	100%	93.8%	7.1%	96.7%	
Trucks Total	--	6	22	9	37	--	--	2	4	7	13	--	--	--	29	1	30	--	--	4	3	--	7	--	87	--
Trucks % of Movement	0.0%	3.5%	2.4%	7.3%	3.1%	--	0.0%	3.3%	9.8%	3.9%	4.6%	--	0.0%	0.0%	3.0%	1.3%	2.9%	--	0.0%	5.4%	9.7%	0.0%	6.3%	--	3.3%	

