

Alliant Engineering

Minneapolis, MN 55415

--TRAFFIC DATA --

TH-47 at Alpine Drive
 Ref.Pt.: 023.909
 Alliant Eng.
 TURN MOVEMENT COUNT

File Name : 204_TH 47 & Alpine
 Site Code : 204
 Start Date : 2/25/2016
 Page No : 1

Groups Printed- Vehicles - Trucks

Start Time	TH-47 Southbound				Alpine Drive Westbound				TH-47 Northbound				Alpine Drive Eastbound				Int. Total
	Left	Thru	Rght	Other	Left	Thru	Rght	Other	Left	Thru	Rght	Other	Left	Thru	Rght	Other	
06:00	11	88	7	3	17	13	5	0	0	6	4	1	1	4	15	0	175
06:15	5	93	5	0	24	5	2	0	1	12	2	0	2	6	8	0	165
06:30	6	91	5	0	24	19	2	0	0	12	10	0	4	5	16	0	194
06:45	3	110	13	0	39	19	1	0	4	24	9	0	5	8	12	0	247
Total	25	382	30	3	104	56	10	0	5	54	25	1	12	23	51	0	781
07:00	12	72	11	0	34	19	7	0	0	16	5	0	6	7	11	0	200
07:15	8	81	19	0	36	22	4	0	1	25	9	0	1	9	12	0	227
07:30	5	54	6	0	20	17	10	0	4	30	11	0	5	12	5	0	179
07:45	7	70	11	0	19	23	2	0	3	36	12	0	2	5	10	0	200
Total	32	277	47	0	109	81	23	0	8	107	37	0	14	33	38	0	806
08:00	6	86	4	0	29	14	5	0	2	17	12	0	1	7	10	0	193
08:15	6	67	4	0	22	8	8	0	5	19	7	0	2	1	10	0	159
08:30	4	76	6	0	19	9	3	0	1	27	3	0	1	2	10	0	161
08:45	4	83	5	0	17	17	6	0	2	16	11	0	0	3	16	0	180
Total	20	312	19	0	87	48	22	0	10	79	33	0	4	13	46	0	693
09:00	2	81	12	0	21	12	3	0	4	45	2	0	4	5	11	0	202
09:15	3	59	9	0	14	8	3	0	4	27	9	0	3	7	8	0	154
09:30	1	0	0	0	0	0	0	0	0	0	0	0	0	0	0	0	1
*** BREAK ***																	
Total	6	140	21	0	35	20	6	0	8	72	11	0	7	12	19	0	357
*** BREAK ***																	
10:30	5	40	3	1	6	3	3	0	6	24	11	1	1	2	7	0	113
10:45	2	44	4	0	8	2	3	0	5	29	16	0	3	0	10	0	126
Total	7	84	7	1	14	5	6	0	11	53	27	1	4	2	17	0	239
11:00	4	43	2	0	9	5	2	0	2	43	11	0	3	7	8	0	139
11:15	0	36	3	0	9	2	2	0	3	37	7	0	2	7	5	1	114
11:30	0	54	3	1	9	4	3	0	9	30	14	0	2	6	5	0	140
11:45	2	54	5	0	19	11	4	1	7	42	10	0	1	2	6	0	164
Total	6	187	13	1	46	22	11	1	21	152	42	0	8	22	24	1	557
12:00	11	27	1	0	18	2	6	0	1	50	9	0	2	5	3	0	135
12:15	4	41	3	0	9	2	1	0	5	39	12	0	2	2	13	0	133
12:30	5	39	4	0	13	5	5	0	8	46	15	0	3	10	5	0	158
12:45	3	30	0	0	11	13	5	0	6	46	8	0	1	0	7	0	130
Total	23	137	8	0	51	22	17	0	20	181	44	0	8	17	28	0	556
13:00	2	40	4	0	12	4	5	0	3	32	12	0	3	7	8	0	132
13:15	6	36	1	0	8	7	1	0	5	30	10	0	2	11	9	0	126
13:30	0	0	0	0	1	1	0	0	0	0	0	0	0	0	0	0	2
*** BREAK ***																	
Total	8	76	5	0	21	12	6	0	8	62	22	0	5	18	17	0	260
*** BREAK ***																	
14:30	7	41	5	0	11	5	12	0	5	89	27	0	4	4	3	0	213
14:45	8	34	10	0	15	7	9	0	8	93	16	0	5	4	7	0	216
Total	15	75	15	0	26	12	21	0	13	182	43	0	9	8	10	0	429
15:00	5	41	4	0	13	5	9	0	4	125	19	0	9	9	5	0	248
15:15	7	62	5	0	20	12	7	0	1	118	18	0	11	14	4	0	279
15:30	1	48	6	0	9	10	12	0	7	124	21	0	14	5	5	0	262
15:45	3	60	4	0	6	9	8	0	10	118	19	0	1	6	3	0	247
Total	16	211	19	0	48	36	36	0	22	485	77	0	35	34	17	0	1036
16:00	8	51	6	0	13	8	14	0	15	117	27	0	11	14	7	0	291

Alliant Engineering

Minneapolis, MN 55415

--TRAFFIC DATA --

TH-47 at Alpine Drive
 Ref.Pt.: 023.909
 Alliant Eng.
 TURN MOVEMENT COUNT

File Name : 204_TH 47 & Alpine
 Site Code : 204
 Start Date : 2/25/2016
 Page No : 2

Groups Printed- Vehicles - Trucks

Start Time	TH-47 Southbound				Alpine Drive Westbound				TH-47 Northbound				Alpine Drive Eastbound				Int. Total
	Left	Thru	Rght	Other	Left	Thru	Rght	Other	Left	Thru	Rght	Other	Left	Thru	Rght	Other	
16:15	3	50	4	0	7	12	14	0	6	113	25	0	0	11	19	8	272
16:30	7	59	1	0	7	9	12	0	8	103	23	0	4	14	17	11	275
16:45	13	55	3	0	21	8	18	0	20	110	8	0	13	11	3	0	283
Total	31	215	14	0	48	37	58	0	49	443	83	0	28	50	46	19	1121
17:00	9	49	6	0	6	10	10	0	16	120	12	0	13	21	6	0	278
17:15	12	45	4	0	17	9	10	0	10	118	21	0	4	17	7	0	274
17:30	19	58	6	0	13	6	12	0	7	101	26	0	7	11	4	0	270
17:45	15	45	2	0	11	14	10	0	4	110	35	0	6	18	12	2	284
Total	55	197	18	0	47	39	42	0	37	449	94	0	30	67	29	2	1106
Grand Total	244	2293	216	5	636	390	258	1	212	2319	538	2	164	299	342	22	7941
Apprch %	8.8	83.1	7.8	0.2	49.5	30.4	20.1	0.1	6.9	75.5	17.5	0.1	19.8	36.2	41.4	2.7	
Total %	3.1	28.9	2.7	0.1	8	4.9	3.2	0	2.7	29.2	6.8	0	2.1	3.8	4.3	0.3	
Vehicles	229	2230	202	4	625	372	243	0	207	2265	513	1	150	289	325	21	7676
% Vehicles	93.9	97.3	93.5	80	98.3	95.4	94.2	0	97.6	97.7	95.4	50	91.5	96.7	95	95.5	96.7
Trucks	15	63	14	1	11	18	15	1	5	54	25	1	14	10	17	1	265
% Trucks	6.1	2.7	6.5	20	1.7	4.6	5.8	100	2.4	2.3	4.6	50	8.5	3.3	5	4.5	3.3

Alliant Engineering

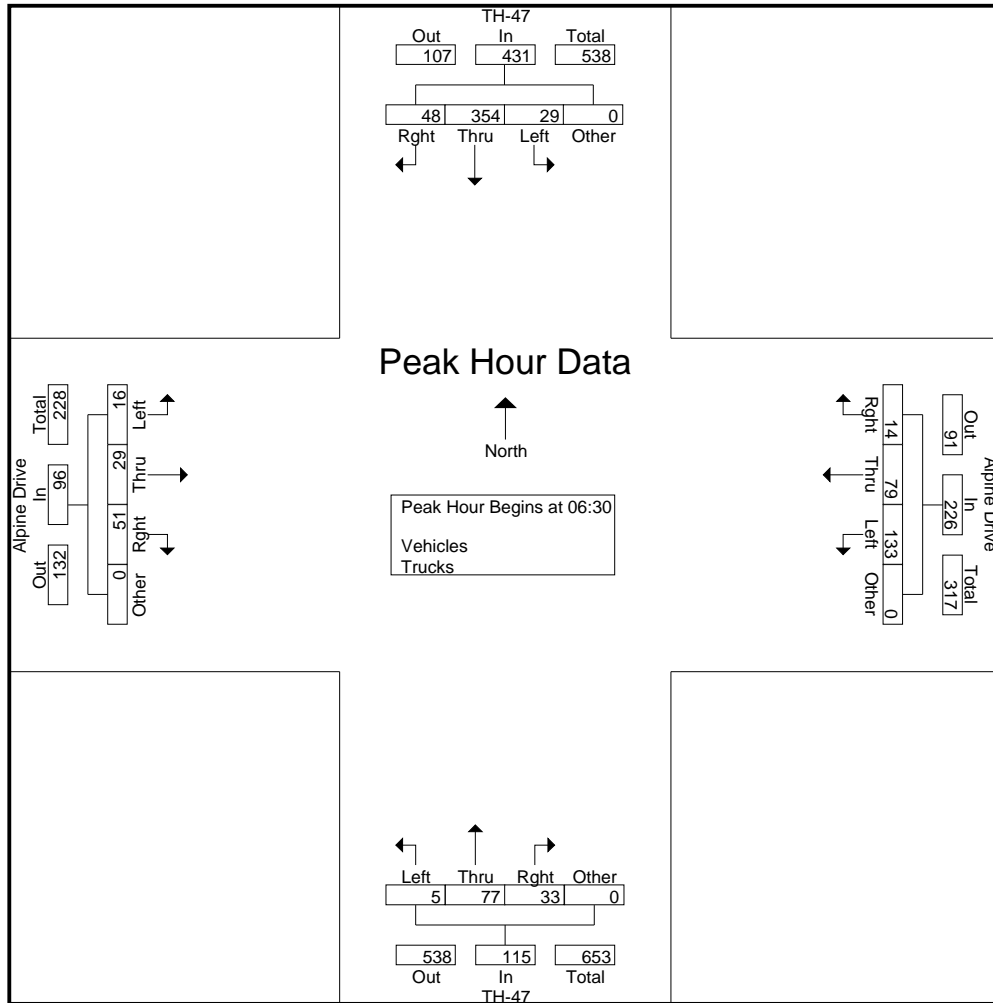
Minneapolis, MN 55415

--TRAFFIC DATA --

TH-47 at Alpine Drive
 Ref.Pt.: 023.909
 Alliant Eng.
 TURN MOVEMENT COUNT

File Name : 204_TH 47 & Alpine
 Site Code : 204
 Start Date : 2/25/2016
 Page No : 3

Start Time	TH-47 Southbound					Alpine Drive Westbound					TH-47 Northbound					Alpine Drive Eastbound					Int. Total
	Left	Thru	Right	Other	App. Total	Left	Thru	Right	Other	App. Total	Left	Thru	Right	Other	App. Total	Left	Thru	Right	Other	App. Total	
Peak Hour Analysis From 06:00 to 11:45 - Peak 1 of 1																					
Peak Hour for Entire Intersection Begins at 06:30																					
06:30	6	91	5	0	102	24	19	2	0	45	0	12	10	0	22	4	5	16	0	25	194
06:45	3	110	13	0	126	39	19	1	0	59	4	24	9	0	37	5	8	12	0	25	247
07:00	12	72	11	0	95	34	19	7	0	60	0	16	5	0	21	6	7	11	0	24	200
07:15	8	81	19	0	108	36	22	4	0	62	1	25	9	0	35	1	9	12	0	22	227
Total Volume	29	354	48	0	431	133	79	14	0	226	5	77	33	0	115	16	29	51	0	96	868
% App. Total	6.7	82.1	11.1	0		58.8	35	6.2	0		4.3	67	28.7	0		16.7	30.2	53.1	0		
PHF	.604	.805	.632	.000	.855	.853	.898	.500	.000	.911	.313	.770	.825	.000	.777	.667	.806	.797	.000	.960	.879



Alliant Engineering

Minneapolis, MN 55415

--TRAFFIC DATA --

TH-47 at Alpine Drive
 Ref.Pt.: 023.909
 Alliant Eng.
 TURN MOVEMENT COUNT

File Name : 204_TH 47 & Alpine
 Site Code : 204
 Start Date : 2/25/2016
 Page No : 4

Start Time	TH-47 Southbound					Alpine Drive Westbound					TH-47 Northbound					Alpine Drive Eastbound					Int. Total
	Left	Thru	Rght	Other	App. Total	Left	Thru	Rght	Other	App. Total	Left	Thru	Rght	Other	App. Total	Left	Thru	Rght	Other	App. Total	
Peak Hour Analysis From 12:00 to 17:45 - Peak 1 of 1																					
Peak Hour for Entire Intersection Begins at 16:00																					
16:00	8	51	6	0	65	13	8	14	0	35	15	117	27	0	159	11	14	7	0	32	291
16:15	3	50	4	0	57	7	12	14	0	33	6	113	25	0	144	0	11	19	8	38	272
16:30	7	59	1	0	67	7	9	12	0	28	8	103	23	0	134	4	14	17	11	46	275
16:45	13	55	3	0	71	21	8	18	0	47	20	110	8	0	138	13	11	3	0	27	283
Total Volume	31	215	14	0	260	48	37	58	0	143	49	443	83	0	575	28	50	46	19	143	1121
% App. Total	11.9	82.7	5.4	0		33.6	25.9	40.6	0		8.5	77	14.4	0		19.6	35	32.2	13.3		
PHF	.596	.911	.583	.000	.915	.571	.771	.806	.000	.761	.613	.947	.769	.000	.904	.538	.893	.605	.432	.777	.963

