



# MINNESOTA DEPT OF TRANSPORTATION

## TRAFFIC DATA COLLECTION - METRO

TH-5 AT CHERRY ST AND 10TH ST WACONIA File Name : TH 5 AT CHERRY ST AND 10TH ST 2008  
 Ref.Pt.: 031.711 Site Code : 00000000  
 JAMAR# 632 DR Start Date : 6/18/2008  
 TURN MOVEMENT COUNT Page No : 1

### Groups Printed- Unshifted

Start Time	CHERRY ST Southbound				TH 5 Westbound				TENTH ST Northbound				TH 5 Eastbound				Int. Total
	Left	Thru	Right	Peds	Left	Thru	Right	Peds	Left	Thru	Right	Peds	Left	Thru	Right	Peds	
06:00	0	0	8	0	0	40	13	0	0	0	1	0	16	196	3	0	277
06:15	0	0	2	0	0	50	14	0	0	0	0	0	25	224	9	0	324
06:30	0	0	5	0	0	57	12	0	0	0	0	0	20	210	24	0	328
06:45	0	0	6	0	0	84	26	0	0	0	2	0	60	226	28	0	432
Total	0	0	21	0	0	231	65	0	0	0	3	0	121	856	64	0	1361
07:00	2	0	9	0	0	68	9	0	0	0	2	0	18	234	20	0	362
07:15	1	0	9	0	0	85	12	0	0	0	2	0	24	217	19	0	369
07:30	2	0	11	0	0	107	12	0	0	0	2	0	45	215	28	0	422
07:45	2	0	6	0	0	103	15	0	0	0	0	0	39	257	41	0	463
Total	7	0	35	0	0	363	48	0	0	0	6	0	126	923	108	0	1616
08:00	3	0	4	0	0	89	21	0	0	0	0	0	38	168	11	0	334
08:15	2	0	5	0	0	71	19	0	0	0	3	0	18	156	5	0	279
08:30	7	0	10	0	0	108	14	0	0	0	1	0	33	192	4	0	369
08:45	3	0	8	0	0	109	25	0	0	0	1	0	35	144	4	0	329
Total	15	0	27	0	0	377	79	0	0	0	5	0	124	660	24	0	1311
*** BREAK ***																	
14:45	9	0	16	0	0	160	20	0	0	0	1	0	34	111	3	0	354
Total	9	0	16	0	0	160	20	0	0	0	1	0	34	111	3	0	354
15:00	11	0	34	0	1	178	11	0	0	1	0	0	13	122	7	0	378
15:15	19	0	31	0	0	192	16	0	0	0	1	0	13	130	3	0	405
15:30	11	0	50	0	0	224	17	0	0	0	1	0	6	130	4	0	443
15:45	7	0	27	0	0	223	12	0	0	0	1	0	15	108	4	0	397
Total	48	0	142	0	1	817	56	0	0	1	3	0	47	490	18	0	1623
16:00	5	0	41	0	0	232	11	0	0	0	1	0	18	121	4	0	433
16:15	9	0	26	0	0	209	16	0	0	0	1	0	13	129	7	0	410
16:30	6	0	41	0	0	225	8	0	0	0	4	0	15	136	2	0	437
16:45	5	0	45	0	0	236	4	0	0	0	2	0	4	124	5	0	425
Total	25	0	153	0	0	902	39	0	0	0	8	0	50	510	18	0	1705
17:00	14	0	33	0	0	236	6	0	0	0	4	0	8	147	5	0	453
17:15	13	0	31	0	0	220	2	0	0	0	2	0	6	159	8	0	441
17:30	4	0	34	0	0	245	2	0	0	0	3	0	9	149	4	0	450
17:45	3	0	15	0	0	243	8	0	0	0	1	0	20	163	0	0	453
Total	34	0	113	0	0	944	18	0	0	0	10	0	43	618	17	0	1797
Grand Total	138	0	507	0	1	3794	325	0	0	1	36	0	545	4168	252	0	9767
Apprch %	21.4	0	78.6	0	0	92.1	7.9	0	0	2.7	97.3	0	11	83.9	5.1	0	
Total %	1.4	0	5.2	0	0	38.8	3.3	0	0	0	0.4	0	5.6	42.7	2.6	0	

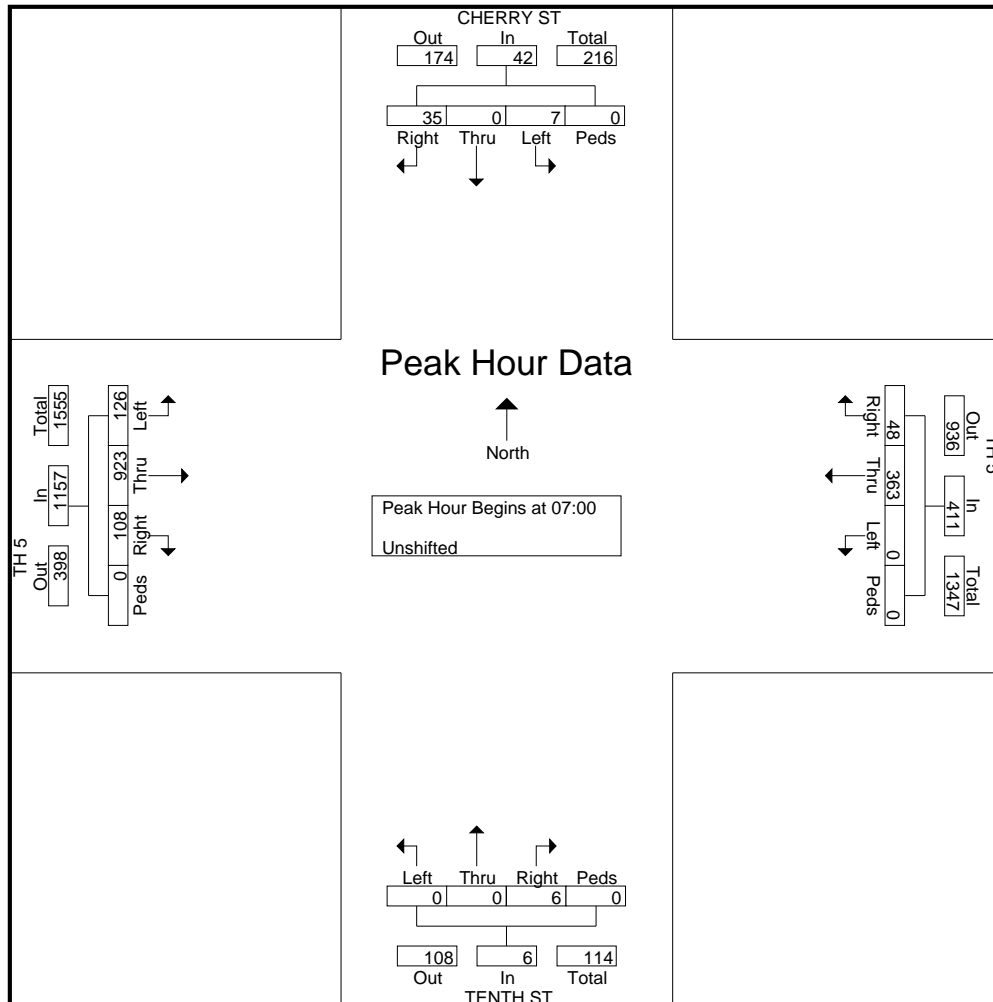


# MINNESOTA DEPT OF TRANSPORTATION

## TRAFFIC DATA COLLECTION - METRO

TH-5 AT CHERRY ST AND 10TH ST WACONIA File Name : TH 5 AT CHERRY ST AND 10TH ST 2008  
 Ref.Pt.: 031.711 Site Code : 00000000  
 JAMAR# 632 DR Start Date : 6/18/2008  
 TURN MOVEMENT COUNT Page No : 2

Start Time	CHERRY ST Southbound					TH 5 Westbound					TENTH ST Northbound					TH 5 Eastbound					Int. Total
	Left	Thru	Right	Peds	App. Total	Left	Thru	Right	Peds	App. Total	Left	Thru	Right	Peds	App. Total	Left	Thru	Right	Peds	App. Total	
<b>Peak Hour Analysis From 06:00 to 09:45 - Peak 1 of 1</b>																					
Peak Hour for Entire Intersection Begins at 07:00																					
07:00	2	0	9	0	11	0	68	9	0	77	0	0	2	0	2	18	234	20	0	272	362
07:15	1	0	9	0	10	0	85	12	0	97	0	0	2	0	2	24	217	19	0	260	369
07:30	2	0	11	0	13	0	107	12	0	119	0	0	2	0	2	45	215	28	0	288	422
07:45	2	0	6	0	8	0	103	15	0	118	0	0	0	0	0	39	257	41	0	337	463
Total Volume	7	0	35	0	42	0	363	48	0	411	0	0	6	0	6	126	923	108	0	1157	1616
% App. Total																					
PHF	.875	.000	.795	.000	.808	.000	.848	.800	.000	.863	.000	.000	.750	.000	.750	.700	.898	.659	.000	.858	.873





# MINNESOTA DEPT OF TRANSPORTATION

## TRAFFIC DATA COLLECTION - METRO

TH-5 AT CHERRY ST AND 10TH ST WACONIA File Name : TH 5 AT CHERRY ST AND 10TH ST 2008  
 Ref.Pt.: 031.711 Site Code : 00000000  
 JAMAR# 632 DR Start Date : 6/18/2008  
 TURN MOVEMENT COUNT Page No : 3

Start Time	CHERRY ST Southbound					TH 5 Westbound					TENTH ST Northbound					TH 5 Eastbound					Int. Total
	Left	Thru	Right	Peds	App. Total	Left	Thru	Right	Peds	App. Total	Left	Thru	Right	Peds	App. Total	Left	Thru	Right	Peds	App. Total	
Peak Hour Analysis From 15:00 to 17:45 - Peak 1 of 1																					
Peak Hour for Entire Intersection Begins at 17:00																					
17:00	14	0	33	0	47	0	236	6	0	242	0	0	4	0	4	8	147	5	0	160	453
17:15	13	0	31	0	44	0	220	2	0	222	0	0	2	0	2	6	159	8	0	173	441
17:30	4	0	34	0	38	0	245	2	0	247	0	0	3	0	3	9	149	4	0	162	450
17:45	3	0	15	0	18	0	243	8	0	251	0	0	1	0	1	20	163	0	0	183	453
Total Volume	34	0	113	0	147	0	944	18	0	962	0	0	10	0	10	43	618	17	0	678	1797
% App. Total																					
PHF	.607	.000	.831	.000	.782	.000	.963	.563	.000	.958	.000	.000	.625	.000	.625	.538	.948	.531	.000	.926	.992

