

708 CSAH 59 and VISTA Blvd

File Name : 708_CSAH 59 and Vista Blvd

Site Code : 00000708

data by: Alliant Inc

Start Date : 10/16/2018

TURN MOVEMENT COUNT

Page No : 1

Groups Printed- Class 1 - Class 2

Start Time	Vista Blvd Southbound					CSAH 59 Westbound					Vista Blvd Northbound					CSAH 59 Eastbound					Int. Total	
	Peds	Right	Thru	Left	App. Total	Peds	Right	Thru	Left	App. Total	Peds	Right	Thru	Left	App. Total	Peds	Right	Thru	Left	App. Total		
06:00 AM	0	0	15	7	22	0	6	0	13	19	0	12	2	0	14	0	0	0	0	0	0	55
06:15 AM	0	0	19	7	26	0	0	0	21	21	0	14	3	0	17	0	0	0	0	0	0	64
06:30 AM	0	0	35	16	51	2	4	0	37	43	0	18	5	2	25	0	0	0	0	0	0	119
06:45 AM	0	0	29	10	39	0	4	0	26	30	0	17	12	0	29	0	0	0	0	0	0	98
Total	0	0	98	40	138	2	14	0	97	113	0	61	22	2	85	0	0	0	0	0	0	336
07:00 AM	0	0	50	16	66	0	4	0	37	41	0	23	13	0	36	0	0	0	0	0	0	143
07:15 AM	0	1	46	8	55	0	12	1	37	50	0	35	25	7	67	0	1	0	0	0	1	173
07:30 AM	0	2	54	14	70	0	8	0	48	56	0	29	24	3	56	0	0	0	0	0	0	182
07:45 AM	0	4	63	29	96	0	12	0	41	53	0	21	49	5	75	0	1	0	0	0	1	225
Total	0	7	213	67	287	0	36	1	163	200	0	108	111	15	234	0	2	0	0	0	2	723
08:00 AM	0	0	50	13	63	0	11	1	29	41	0	18	25	5	48	0	0	1	0	0	1	153
08:15 AM	0	0	42	12	54	2	5	1	31	39	0	23	25	3	51	0	2	2	1	0	5	149
08:30 AM	0	1	24	9	34	0	10	0	24	34	0	17	21	3	41	0	6	0	1	0	7	116
08:45 AM	0	0	26	8	34	1	9	0	19	29	0	17	22	1	40	0	0	1	0	0	1	104
Total	0	1	142	42	185	3	35	2	103	143	0	75	93	12	180	0	8	4	2	0	14	522
09:00 AM	0	2	31	12	45	0	3	0	18	21	0	6	20	0	26	0	0	0	1	0	1	93
09:15 AM	0	1	21	7	29	1	3	0	17	21	0	11	27	4	42	0	3	1	0	0	4	96
*** BREAK ***																						
Total	0	3	52	19	74	1	6	0	35	42	0	17	47	4	68	0	3	1	1	0	5	189
*** BREAK ***																						
10:30 AM	0	1	26	6	33	2	6	1	15	24	0	14	25	7	46	0	3	0	1	0	4	107
10:45 AM	0	3	18	11	32	1	2	0	15	18	0	14	28	5	47	0	10	1	0	0	11	108
Total	0	4	44	17	65	3	8	1	30	42	0	28	53	12	93	0	13	1	1	0	15	215
11:00 AM	0	3	19	10	32	0	8	0	33	41	0	19	27	1	47	0	6	0	1	0	7	127
11:15 AM	0	6	20	9	35	1	2	0	10	13	0	8	23	7	38	0	6	1	3	0	10	96
11:30 AM	0	3	19	5	27	0	7	4	20	31	0	20	25	6	51	0	8	1	0	0	9	118
11:45 AM	0	3	25	9	37	0	4	1	18	23	0	20	30	6	56	0	7	2	1	0	10	126
Total	0	15	83	33	131	1	21	5	81	108	0	67	105	20	192	0	27	4	5	0	36	467
12:00 PM	0	5	26	7	38	0	8	3	15	26	0	22	23	0	45	0	10	2	1	0	13	122
12:15 PM	0	4	21	7	32	0	9	2	21	32	0	26	26	7	59	0	8	2	4	0	14	137
12:30 PM	0	3	26	4	33	0	10	1	20	31	0	19	22	6	47	0	4	0	2	0	6	117
12:45 PM	0	1	18	9	28	0	9	1	13	23	1	14	28	8	51	0	7	0	4	0	11	113
Total	0	13	91	27	131	0	36	7	69	112	1	81	99	21	202	0	29	4	11	0	44	489
01:00 PM	0	4	32	7	43	0	7	0	17	24	0	15	24	4	43	0	6	0	3	0	9	119
01:15 PM	0	3	34	8	45	0	10	2	22	34	0	24	30	9	63	0	9	4	1	0	14	156
*** BREAK ***																						
Total	0	7	66	15	88	0	17	2	39	58	0	39	54	13	106	0	15	4	4	0	23	275
*** BREAK ***																						
02:30 PM	0	1	36	12	49	0	14	1	16	31	0	19	34	6	59	0	3	1	1	0	5	144
02:45 PM	0	2	33	7	42	0	10	0	19	29	0	19	42	9	70	0	7	1	3	0	11	152
Total	0	3	69	19	91	0	24	1	35	60	0	38	76	15	129	0	10	2	4	0	16	296
03:00 PM	0	3	32	6	41	0	4	0	18	22	0	23	31	6	60	0	5	0	0	0	5	128
03:15 PM	0	2	26	14	42	0	6	1	21	28	0	20	40	11	71	0	12	1	4	0	17	158
03:30 PM	0	0	45	6	51	1	15	3	24	43	1	24	41	8	74	1	8	2	1	0	12	180
03:45 PM	0	5	39	10	54	0	14	0	21	35	0	26	46	11	83	0	8	3	3	0	14	186
Total	0	10	142	36	188	1	39	4	84	128	1	93	158	36	288	1	33	6	8	0	48	652

708 CSAH 59 and VISTA Blvd

File Name : 708_CSAH 59 and Vista Blvd

Site Code : 00000708

data by: Alliant Inc

Start Date : 10/16/2018

TURN MOVEMENT COUNT

Page No : 2

Groups Printed- Class 1 - Class 2

Start Time	Vista Blvd Southbound					CSAH 59 Westbound					Vista Blvd Northbound					CSAH 59 Eastbound					Int. Total
	Peds	Right	Thru	Left	App. Total	Peds	Right	Thru	Left	App. Total	Peds	Right	Thru	Left	App. Total	Peds	Right	Thru	Left	App. Total	
04:00 PM	0	3	38	14	55	0	20	2	16	38	0	36	51	12	99	0	12	2	3	17	209
04:15 PM	0	4	37	13	54	0	8	4	37	49	0	25	56	5	86	0	9	1	2	12	201
04:30 PM	0	1	43	10	54	1	16	0	27	44	0	40	66	9	115	0	8	0	3	11	224
04:45 PM	0	4	39	17	60	1	13	2	37	53	1	37	47	5	90	0	8	0	3	11	214
Total	0	12	157	54	223	2	57	8	117	184	1	138	220	31	390	0	37	3	11	51	848
05:00 PM	0	3	37	19	59	2	20	2	29	53	1	39	61	5	106	0	7	0	6	13	231
05:15 PM	0	2	39	10	51	0	15	3	35	53	0	31	59	9	99	0	13	1	4	18	221
05:30 PM	0	2	43	8	53	0	17	0	26	43	0	46	73	14	133	0	11	3	3	17	246
05:45 PM	0	3	24	9	36	0	15	1	30	46	0	30	37	8	75	0	11	0	4	15	172
Total	0	10	143	46	199	2	67	6	120	195	1	146	230	36	413	0	42	4	17	63	870
Grand Total	0	85	1300	415	1800	15	360	37	973	1385	4	891	1268	217	2380	1	219	33	64	317	5882
Apprch %	0	4.7	72.2	23.1		1.1	26	2.7	70.3		0.2	37.4	53.3	9.1		0.3	69.1	10.4	20.2		
Total %	0	1.4	22.1	7.1	30.6	0.3	6.1	0.6	16.5	23.5	0.1	15.1	21.6	3.7	40.5	0	3.7	0.6	1.1	5.4	
Class 1	0	83	1258	409	1750	15	353	35	937	1340	1	862	1234	213	2310	1	213	31	63	308	5708
% Class 1	0	97.6	96.8	98.6	97.2	100	98.1	94.6	96.3	96.8	25	96.7	97.3	98.2	97.1	100	97.3	93.9	98.4	97.2	97
Class 2	0	2	42	6	50	0	7	2	36	45	3	29	34	4	70	0	6	2	1	9	174
% Class 2	0	2.4	3.2	1.4	2.8	0	1.9	5.4	3.7	3.2	75	3.3	2.7	1.8	2.9	0	2.7	6.1	1.6	2.8	3

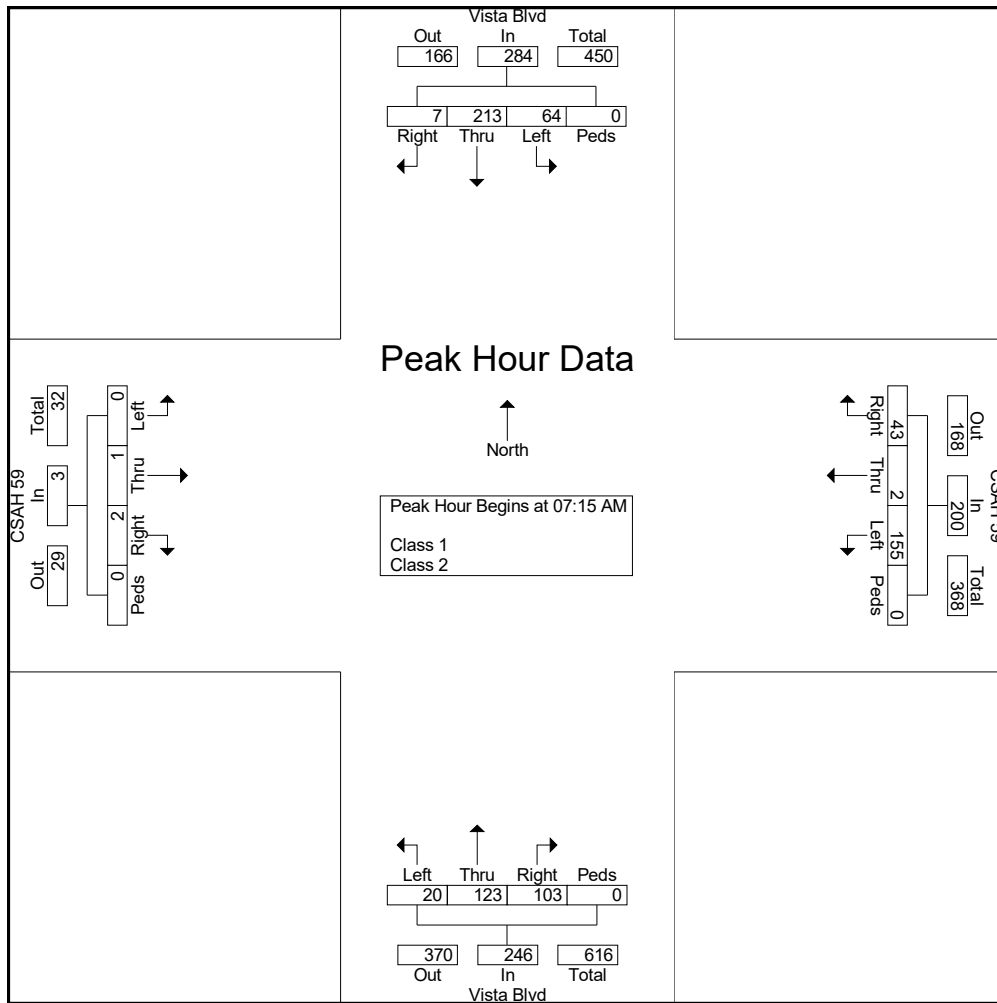
708 CSAH 59 and VISTA Blvd

File Name : 708_CSAH 59 and Vista Blvd

data by: Alliant Inc
 TURN MOVEMENT COUNT

Site Code : 00000708
 Start Date : 10/16/2018
 Page No : 3

Start Time	Vista Blvd Southbound					CSAH 59 Westbound					Vista Blvd Northbound					CSAH 59 Eastbound					Int. Total
	Peds	Right	Thru	Left	App. Total	Peds	Right	Thru	Left	App. Total	Peds	Right	Thru	Left	App. Total	Peds	Right	Thru	Left	App. Total	
Peak Hour Analysis From 06:00 AM to 11:45 AM - Peak 1 of 1																					
Peak Hour for Entire Intersection Begins at 07:15 AM																					
07:15 AM	0	1	46	8	55	0	12	1	37	50	0	35	25	7	67	0	1	0	0	1	173
07:30 AM	0	2	54	14	70	0	8	0	48	56	0	29	24	3	56	0	0	0	0	0	182
07:45 AM	0	4	63	29	96	0	12	0	41	53	0	21	49	5	75	0	1	0	0	1	225
08:00 AM	0	0	50	13	63	0	11	1	29	41	0	18	25	5	48	0	0	1	0	1	153
Total Volume	0	7	213	64	284	0	43	2	155	200	0	103	123	20	246	0	2	1	0	3	733
% App. Total	0	2.5	75	22.5		0	21.5	1	77.5		0	41.9	50	8.1		0	66.7	33.3	0		
PHF	.000	.438	.845	.552	.740	.000	.896	.500	.807	.893	.000	.736	.628	.714	.820	.000	.500	.250	.000	.750	.814



708 CSAH 59 and VISTA Blvd

File Name : 708_CSAH 59 and Vista Blvd

Site Code : 00000708

data by: Alliant Inc

Start Date : 10/16/2018

TURN MOVEMENT COUNT

Page No : 4

Start Time	Vista Blvd Southbound					CSAH 59 Westbound					Vista Blvd Northbound					CSAH 59 Eastbound					Int. Total
	Peds	Right	Thru	Left	App. Total	Peds	Right	Thru	Left	App. Total	Peds	Right	Thru	Left	App. Total	Peds	Right	Thru	Left	App. Total	
Peak Hour Analysis From 12:00 PM to 05:45 PM - Peak 1 of 1																					
Peak Hour for Entire Intersection Begins at 04:45 PM																					
04:45 PM	0	4	39	17	60	1	13	2	37	53	1	37	47	5	90	0	8	0	3	11	214
05:00 PM	0	3	37	19	59	2	20	2	29	53	1	39	61	5	106	0	7	0	6	13	231
05:15 PM	0	2	39	10	51	0	15	3	35	53	0	31	59	9	99	0	13	1	4	18	221
05:30 PM	0	2	43	8	53	0	17	0	26	43	0	46	73	14	133	0	11	3	3	17	246
Total Volume	0	11	158	54	223	3	65	7	127	202	2	153	240	33	428	0	39	4	16	59	912
% App. Total	0	4.9	70.9	24.2		1.5	32.2	3.5	62.9		0.5	35.7	56.1	7.7		0	66.1	6.8	27.1		
PHF	.000	.688	.919	.711	.929	.375	.813	.583	.858	.953	.500	.832	.822	.589	.805	.000	.750	.333	.667	.819	.927

