



MINNESOTA DEPT OF TRANSPORTATION

TRAFFIC DATA COLLECTION - METRO

Eden Prairie Rd/CSAH-4 at Terrey Pine Dr
 Ref.Pt.:
 Data by: Westwood Professional Services
 TURN MOVEMENT COUNT

File Name : Eden Prairie Rd at Terrey Pine Drive 2008
 Site Code : 17042616
 Start Date : 9/16/2008
 Page No : 1

Groups Printed- Unshifted

Start Time	Eden Prairie Rd. / CSAH-4 Southbound				Terrey Pine Dr. Westbound				Eden Prairie Rd. / CSAH-4 Northbound				Terrey Pine Dr. Eastbound				Int. Total
	Left	Thru	Right	Peds	Left	Thru	Right	Peds	Left	Thru	Right	Peds	Left	Thru	Right	Peds	
06:00	2	16	2	0	2	1	2	0	2	25	2	0	2	0	2	0	58
06:15	3	26	3	0	0	0	4	0	2	30	6	0	1	0	2	0	77
06:30	4	38	5	0	2	0	2	0	4	44	7	0	1	0	2	0	109
06:45	5	49	6	0	5	1	5	0	7	77	8	0	4	1	5	0	173
Total	14	129	16	0	9	2	13	0	15	176	23	0	8	1	11	0	417
07:00	4	37	5	0	1	0	2	0	7	111	5	0	1	0	1	0	174
07:15	5	56	7	0	3	1	4	0	10	173	5	0	3	0	4	0	271
07:30	7	76	10	0	1	1	9	0	14	157	1	0	4	1	5	0	286
07:45	8	79	10	0	1	0	6	0	14	132	3	0	2	0	3	0	258
Total	24	248	32	0	6	2	21	0	45	573	14	0	10	1	13	0	989
08:00	7	67	8	0	0	0	2	0	11	134	2	0	1	0	1	0	233
08:15	9	91	11	1	5	0	6	0	15	121	4	0	4	1	5	0	273
08:30	7	70	9	0	1	0	8	0	14	84	5	0	3	1	4	0	206
08:45	6	58	7	0	4	1	7	0	18	84	6	0	4	1	5	0	201
Total	29	286	35	1	10	1	23	0	58	423	17	0	12	3	15	0	913
*** BREAK ***																	
11:00	4	35	3	0	5	1	7	1	9	40	2	0	4	0	4	0	115
11:15	8	33	4	0	7	0	17	0	10	44	4	0	5	0	13	0	145
11:30	3	32	1	0	6	1	17	0	7	41	4	0	4	1	13	0	130
11:45	7	50	5	1	9	0	21	0	7	49	5	0	8	0	22	0	184
Total	22	150	13	1	27	2	62	1	33	174	15	0	21	1	52	0	574
12:00	1	48	6	0	4	1	31	0	5	54	7	0	4	1	23	0	185
12:15	3	42	4	0	4	2	36	0	5	47	6	0	3	3	20	0	175
12:30	7	45	5	0	5	1	24	0	9	49	8	0	4	1	6	0	164
12:45	7	51	6	0	13	2	31	0	9	51	7	0	10	1	5	0	193
Total	18	186	21	0	26	6	122	0	28	201	28	0	21	6	54	0	717
*** BREAK ***																	
15:00	31	102	6	0	8	1	22	0	6	55	9	0	10	2	12	0	264
15:15	27	71	3	0	11	1	17	0	7	58	9	0	9	1	3	0	217
15:30	22	69	10	0	18	0	40	0	9	85	10	0	11	2	6	0	282
15:45	11	97	18	0	9	0	10	0	4	76	8	0	12	0	4	0	249
Total	91	339	37	0	46	2	89	0	26	274	36	0	42	5	25	0	1012
16:00	13	89	12	0	7	0	11	0	11	87	7	0	19	1	7	0	264
16:15	13	108	17	0	4	0	11	0	7	109	4	0	11	0	10	0	294
16:30	19	107	12	0	8	0	17	0	11	77	9	0	11	1	11	0	283
16:45	11	138	11	0	10	0	12	0	10	95	5	0	24	0	6	0	322
Total	56	442	52	0	29	0	51	0	39	368	25	0	65	2	34	0	1163
17:00	18	129	18	0	4	0	20	0	4	121	5	0	22	0	13	0	354
17:15	15	153	15	0	2	0	11	0	10	120	8	0	19	2	10	0	365
17:30	29	159	9	0	7	0	18	0	12	138	6	0	15	1	10	0	404
17:45	18	136	14	0	15	0	19	1	9	127	4	0	8	4	12	0	367
Total	80	577	56	0	28	0	68	1	35	506	23	0	64	7	45	0	1490
Grand Total	334	2357	262	2	181	15	449	2	279	2695	181	0	243	26	249	0	7275
Apprch %	11.3	79.8	8.9	0.1	28	2.3	69.4	0.3	8.8	85.4	5.7	0	46.9	5	48.1	0	
Total %	4.6	32.4	3.6	0	2.5	0.2	6.2	0	3.8	37	2.5	0	3.3	0.4	3.4	0	



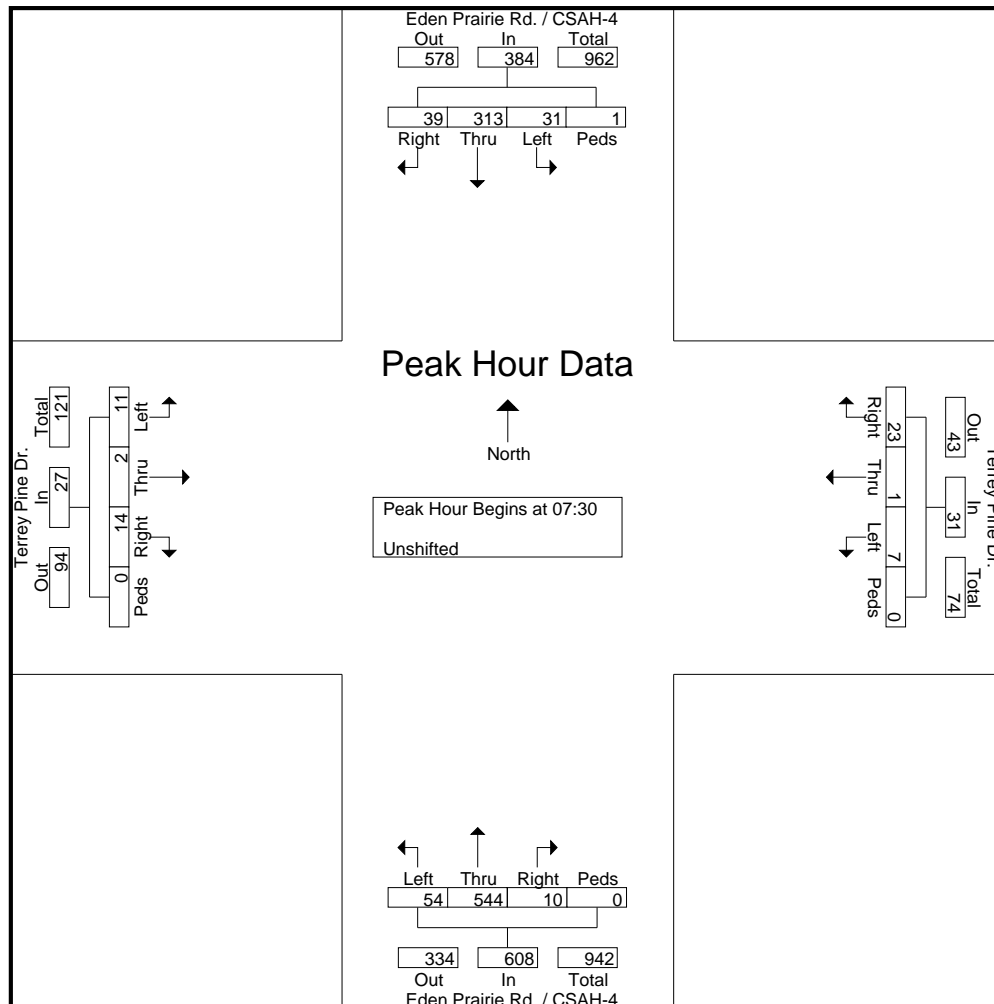
MINNESOTA DEPT OF TRANSPORTATION

TRAFFIC DATA COLLECTION - METRO

Eden Prairie Rd/CSAH-4 at Terrey Pine Dr
 Ref.Pt.:
 Data by: Westwood Professional Services
 TURN MOVEMENT COUNT

File Name : Eden Prairie Rd at Terrey Pine Drive 2008
 Site Code : 17042616
 Start Date : 9/16/2008
 Page No : 2

Start Time	Eden Prairie Rd. / CSAH-4 Southbound					Terrey Pine Dr. Westbound					Eden Prairie Rd. / CSAH-4 Northbound					Terrey Pine Dr. Eastbound					Int. Total
	Left	Thru	Right	Peds	App. Total	Left	Thru	Right	Peds	App. Total	Left	Thru	Right	Peds	App. Total	Left	Thru	Right	Peds	App. Total	
Peak Hour Analysis From 06:00 to 08:45 - Peak 1 of 1																					
Peak Hour for Entire Intersection Begins at 07:30																					
07:30	7	76	10	0	93	1	1	9	0	11	14	157	1	0	172	4	1	5	0	10	286
07:45	8	79	10	0	97	1	0	6	0	7	14	132	3	0	149	2	0	3	0	5	258
08:00	7	67	8	0	82	0	0	2	0	2	11	134	2	0	147	1	0	1	0	2	233
08:15	9	91	11	1	112	5	0	6	0	11	15	121	4	0	140	4	1	5	0	10	273
Total Volume	31	313	39	1	384	7	1	23	0	31	54	544	10	0	608	11	2	14	0	27	1050
% App. Total	8.1	81.5	10.2	0.3		22.6	3.2	74.2	0		8.9	89.5	1.6	0		40.7	7.4	51.9	0		
PHF	.861	.860	.886	.250	.857	.350	.250	.639	.000	.705	.900	.866	.625	.000	.884	.688	.500	.700	.000	.675	.918





MINNESOTA DEPT OF TRANSPORTATION

TRAFFIC DATA COLLECTION - METRO

Eden Prairie Rd/CSAH-4 at Terrey Pine Dr
 Ref.Pt.:
 Data by: Westwood Professional Services
 TURN MOVEMENT COUNT

File Name : Eden Prairie Rd at Terrey Pine Drive 2008
 Site Code : 17042616
 Start Date : 9/16/2008
 Page No : 3

Start Time	Eden Prairie Rd. / CSAH-4 Southbound					Terrey Pine Dr. Westbound					Eden Prairie Rd. / CSAH-4 Northbound					Terrey Pine Dr. Eastbound					Int. Total
	Left	Thru	Right	Peds	App. Total	Left	Thru	Right	Peds	App. Total	Left	Thru	Right	Peds	App. Total	Left	Thru	Right	Peds	App. Total	

Peak Hour Analysis From 15:00 to 17:45 - Peak 1 of 1

Peak Hour for Entire Intersection Begins at 17:00

17:00	18	129	18	0	165	4	0	20	0	24	4	121	5	0	130	22	0	13	0	35	354
17:15	15	153	15	0	183	2	0	11	0	13	10	120	8	0	138	19	2	10	0	31	365
17:30	29	159	9	0	197	7	0	18	0	25	12	138	6	0	156	15	1	10	0	26	404
17:45	18	136	14	0	168	15	0	19	1	35	9	127	4	0	140	8	4	12	0	24	367
Total Volume	80	577	56	0	713	28	0	68	1	97	35	506	23	0	564	64	7	45	0	116	1490
% App. Total	11.2	80.9	7.9	0		28.9	0	70.1	1		6.2	89.7	4.1	0		55.2	6	38.8	0		
PHF	.690	.907	.778	.000	.905	.467	.000	.850	.250	.693	.729	.917	.719	.000	.904	.727	.438	.865	.000	.829	.922

