



701 Xenia Ave S, Suite 300
 Minneapolis, MN 55416

TH 5 & Albion Ave
 7-9am & 4-6pm
 vehicles, heavy trucks, peds
 day 1

File Name : site 14- TH 5 & Albion Ave-day 1
 Site Code : 14
 Start Date : 3/29/2022
 Page No : 1

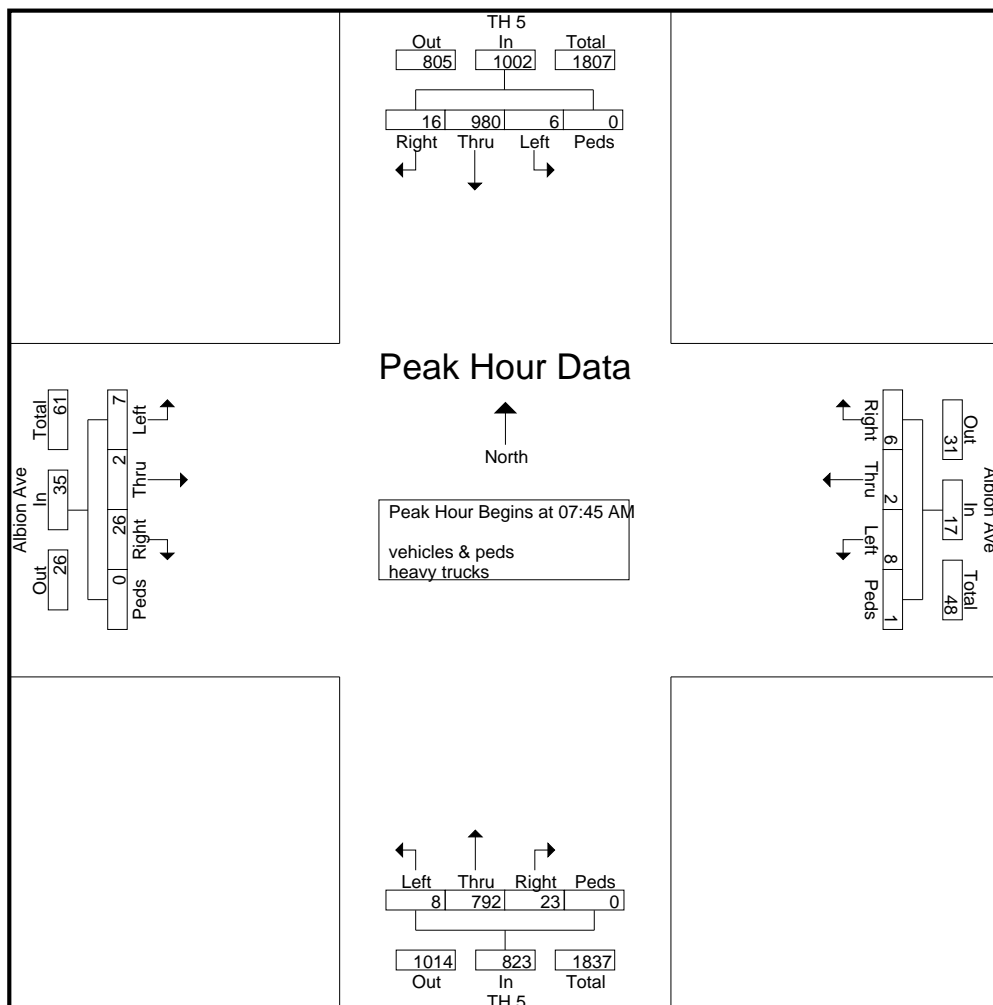
Groups Printed- vehicles & peds - heavy trucks

Start Time	TH 5 From North					Albion Ave From East					TH 5 From South					Albion Ave From West					Int. Total
	Right	Thru	Left	Peds	App. Total	Right	Thru	Left	Peds	App. Total	Right	Thru	Left	Peds	App. Total	Right	Thru	Left	Peds	App. Total	
07:00 AM	1	143	0	0	144	0	0	1	1	2	3	134	0	1	138	1	1	0	0	2	286
07:15 AM	2	187	0	0	189	2	0	5	0	7	1	162	0	0	163	3	0	1	0	4	363
07:30 AM	3	204	1	0	208	4	0	2	0	6	8	191	0	0	199	2	1	2	2	7	420
07:45 AM	2	250	2	0	254	1	0	3	0	4	2	184	2	0	188	5	0	0	0	5	451
Total	8	784	3	0	795	7	0	11	1	19	14	671	2	1	688	11	2	3	2	18	1520
08:00 AM	6	253	1	0	260	1	0	1	0	2	8	196	0	0	204	5	0	1	0	6	472
08:15 AM	4	262	2	0	268	1	0	3	0	4	10	212	2	0	224	9	0	2	0	11	507
08:30 AM	4	215	1	0	220	3	2	1	1	7	3	200	4	0	207	7	2	4	0	13	447
08:45 AM	6	188	1	0	195	0	0	4	0	4	3	184	0	0	187	6	0	6	0	12	398
Total	20	918	5	0	943	5	2	9	1	17	24	792	6	0	822	27	2	13	0	42	1824
04:00 PM	7	227	1	1	236	3	0	3	1	7	7	235	5	0	247	8	1	2	0	11	501
04:15 PM	6	205	4	0	215	3	3	1	2	9	11	249	1	0	261	10	1	1	1	13	498
04:30 PM	4	253	3	0	260	2	0	3	1	6	5	241	2	0	248	3	0	4	0	7	521
04:45 PM	2	274	2	1	279	7	0	4	0	11	8	248	2	0	258	8	2	4	0	14	562
Total	19	959	10	2	990	15	3	11	4	33	31	973	10	0	1014	29	4	11	1	45	2082
05:00 PM	7	253	1	0	261	1	0	0	0	1	6	240	1	0	247	4	0	3	0	7	516
05:15 PM	4	237	1	0	242	3	0	2	1	6	8	294	2	0	304	6	0	3	3	12	564
05:30 PM	2	216	3	0	221	2	0	2	0	4	2	235	3	0	240	0	0	0	0	0	465
05:45 PM	2	225	5	0	232	0	0	3	3	6	6	219	1	0	226	1	0	1	1	3	467
Total	15	931	10	0	956	6	0	7	4	17	22	988	7	0	1017	11	0	7	4	22	2012
Grand Total	62	3592	28	2	3684	33	5	38	10	86	91	3424	25	1	3541	78	8	34	7	127	7438
Apprch %	1.7	97.5	0.8	0.1		38.4	5.8	44.2	11.6		2.6	96.7	0.7	0		61.4	6.3	26.8	5.5		
Total %	0.8	48.3	0.4	0	49.5	0.4	0.1	0.5	0.1	1.2	1.2	46	0.3	0	47.6	1	0.1	0.5	0.1	1.7	
vehicles & peds	61	3574	28	2	3665	33	5	38	10	86	91	3409	25	1	3526	77	8	33	7	125	7402
% vehicles & peds	98.4	99.5	100	100	99.5	100	100	100	100	100	100	99.6	100	100	99.6	98.7	100	97.1	100	98.4	99.5
heavy trucks	1	18	0	0	19	0	0	0	0	0	0	15	0	0	15	1	0	1	0	2	36
% heavy trucks	1.6	0.5	0	0	0.5	0	0	0	0	0	0	0.4	0	0	0.4	1.3	0	2.9	0	1.6	0.5

TH 5 & Albion Ave
 7-9am & 4-6pm
 vehicles, heavy trucks, peds
 day 1

File Name : site 14- TH 5 & Albion Ave-day 1
 Site Code : 14
 Start Date : 3/29/2022
 Page No : 2

Start Time	TH 5 From North					Albion Ave From East					TH 5 From South					Albion Ave From West					Int. Total
	Right	Thru	Left	Peds	App. Total	Right	Thru	Left	Peds	App. Total	Right	Thru	Left	Peds	App. Total	Right	Thru	Left	Peds	App. Total	
Peak Hour Analysis From 07:00 AM to 11:45 AM - Peak 1 of 1																					
Peak Hour for Entire Intersection Begins at 07:45 AM																					
07:45 AM	2	250	2	0	254	1	0	3	0	4	2	184	2	0	188	5	0	0	0	5	451
08:00 AM	6	253	1	0	260	1	0	1	0	2	8	196	0	0	204	5	0	1	0	6	472
08:15 AM	4	262	2	0	268	1	0	3	0	4	10	212	2	0	224	9	0	2	0	11	507
08:30 AM	4	215	1	0	220	3	2	1	1	7	3	200	4	0	207	7	2	4	0	13	447
Total Volume	16	980	6	0	1002	6	2	8	1	17	23	792	8	0	823	26	2	7	0	35	1877
% App. Total	1.6	97.8	0.6	0		35.3	11.8	47.1	5.9		2.8	96.2	1	0		74.3	5.7	20	0		
PHF	.667	.935	.750	.000	.935	.500	.250	.667	.250	.607	.575	.934	.500	.000	.919	.722	.250	.438	.000	.673	.926



TH 5 & Albion Ave
 7-9am & 4-6pm
 vehicles, heavy trucks, peds
 day 1

File Name : site 14- TH 5 & Albion Ave-day 1
 Site Code : 14
 Start Date : 3/29/2022
 Page No : 3

Start Time	TH 5 From North					Albion Ave From East					TH 5 From South					Albion Ave From West					Int. Total
	Rig ht	Thr u	Left	Ped s	App. Total	Rig ht	Thr u	Left	Ped s	App. Total	Right	Thr u	Left	Peds	App. Total	Right	Thr u	Left	Peds	App. Total	
Peak Hour Analysis From 12:00 PM to 05:45 PM - Peak 1 of 1																					
Peak Hour for Entire Intersection Begins at 04:30 PM																					
04:30 PM	4	253	3	0	260	2	0	3	1	6	5	241	2	0	248	3	0	4	0	7	521
04:45 PM	2	274	2	1	279	7	0	4	0	11	8	248	2	0	258	8	2	4	0	14	562
05:00 PM	7	253	1	0	261	1	0	0	0	1	6	240	1	0	247	4	0	3	0	7	516
05:15 PM	4	237	1	0	242	3	0	2	1	6	8	294	2	0	304	6	0	3	3	12	564
Total Volume	17	1017	7	1	1042	13	0	9	2	24	27	1023	7	0	1057	21	2	14	3	40	2163
% App. Total	1.6	97.6	0.7	0.1		54.2	0	37.5	8.3		2.6	96.8	0.7	0		52.5	5	35	7.5		
PHF	.607	.928	.583	.250	.934	.464	.000	.563	.500	.545	.844	.870	.875	.000	.869	.656	.250	.875	.250	.714	.959

