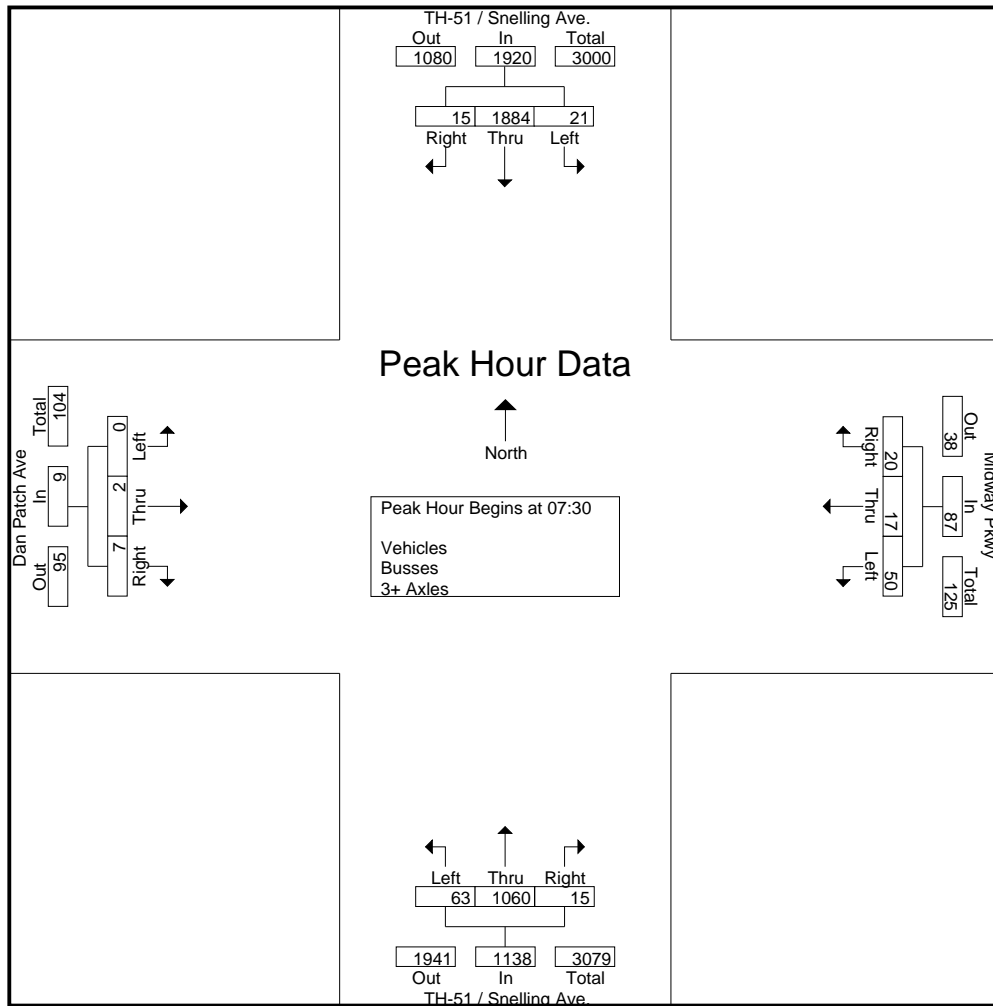


SEH CONSULTING
Traffic Data Collection
TURN MOVEMENT COUNT

TH-51 at Dan Patch Ave/Midway Pkwy
Ref.Pt.: 005.614
data by SEH
TURN MOVEMENT COUNT

File Name : TH-51 at Dan Patch Ave-Midway Pkwy 2008
Site Code : 00000014
Start Date : 12/2/2008
Page No : 2

Start Time	TH-51 / Snelling Ave. Southbound				Midway Pkwy Westbound				TH-51 / Snelling Ave. Northbound				Dan Patch Ave Eastbound				Int. Total
	Left	Thru	Right	App. Total	Left	Thru	Right	App. Total	Left	Thru	Right	App. Total	Left	Thru	Right	App. Total	
Peak Hour Analysis From 06:00 to 08:45 - Peak 1 of 1																	
Peak Hour for Entire Intersection Begins at 07:30																	
07:30	4	503	4	511	11	3	3	17	14	276	4	294	0	0	1	1	823
07:45	4	530	2	536	15	6	4	25	16	275	4	295	0	1	2	3	859
08:00	6	416	2	424	10	3	6	19	18	267	4	289	0	1	2	3	735
08:15	7	435	7	449	14	5	7	26	15	242	3	260	0	0	2	2	737
Total Volume	21	1884	15	1920	50	17	20	87	63	1060	15	1138	0	2	7	9	3154
% App. Total	1.1	98.1	0.8		57.5	19.5	23		5.5	93.1	1.3		0	22.2	77.8		
PHF	.750	.889	.536	.896	.833	.708	.714	.837	.875	.960	.938	.964	.000	.500	.875	.750	.918



SEH CONSULTING
Traffic Data Collection
TURN MOVEMENT COUNT

TH-51 at Dan Patch Ave/Midway Pkwy
Ref.Pt.: 005.614
data by SEH
TURN MOVEMENT COUNT

File Name : TH-51 at Dan Patch Ave-Midway Pkwy 2008
Site Code : 00000014
Start Date : 12/2/2008
Page No : 3

Start Time	TH-51 / Snelling Ave. Southbound				Midway Pkwy Westbound				TH-51 / Snelling Ave. Northbound				Dan Patch Ave Eastbound				Int. Total
	Left	Thru	Right	App. Total	Left	Thru	Right	App. Total	Left	Thru	Right	App. Total	Left	Thru	Right	App. Total	
Peak Hour Analysis From 15:00 to 17:45 - Peak 1 of 1																	
Peak Hour for Entire Intersection Begins at 16:30																	
16:30	3	312	1	316	6	1	5	12	9	575	8	592	4	5	22	31	951
16:45	5	366	0	371	2	2	6	10	7	536	18	561	3	7	13	23	965
17:00	1	315	1	317	7	4	7	18	14	540	16	570	7	6	19	32	937
17:15	3	367	1	371	10	0	2	12	5	500	13	518	2	3	15	20	921
Total Volume	12	1360	3	1375	25	7	20	52	35	2151	55	2241	16	21	69	106	3774
% App. Total	0.9	98.9	0.2		48.1	13.5	38.5		1.6	96	2.5		15.1	19.8	65.1		
PHF	.600	.926	.750	.927	.625	.438	.714	.722	.625	.935	.764	.946	.571	.750	.784	.828	.978

