



MINNESOTA DEPT OF TRANSPORTATION

TRAFFIC DATA COLLECTION - METRO

Counted By: Matt M & Matt K
 Day of the Week: Tuesday
 Location: TH 55 & CR 101/Peony
 Project #: 5764

File Name : TH 55 @ CR 101-PEONY 2006
 Site Code : 07250422
 Start Date : 7/25/2006
 Page No : 1

Groups Printed- Unshifted

Start Time	Peony Southbound					TH 55 Westbound					CR101 Northbound					TH 55 Eastbound					Int. Total
	Left	Thru	Right	Peds	App. Total	Left	Thru	Right	Peds	App. Total	Left	Thru	Right	Peds	App. Total	Left	Thru	Right	Peds	App. Total	
06:00	12	10	5	0	27	5	64	5	0	74	12	7	5	0	24	6	275	27	1	309	434
06:15	18	14	9	0	41	6	76	6	0	88	12	7	4	0	23	10	441	37	0	488	640
06:30	15	17	6	0	38	6	119	8	0	133	19	11	7	0	37	2	520	52	0	574	782
06:45	23	29	9	0	61	7	137	13	0	157	20	14	3	0	37	1	489	41	0	531	786
Total	68	70	29	0	167	24	396	32	0	452	63	39	19	0	121	19	1725	157	1	1902	2642
07:00	35	33	3	0	71	7	124	14	0	145	29	15	8	0	52	0	449	83	0	532	800
07:15	43	40	7	0	90	10	110	24	0	144	27	27	6	0	60	25	500	77	0	602	896
07:30	36	51	9	0	96	10	152	25	0	187	27	24	15	0	66	15	480	104	0	599	948
07:45	45	43	18	0	106	12	136	19	0	167	24	28	6	0	58	10	465	88	0	563	894
Total	159	167	37	0	363	39	522	82	0	643	107	94	35	0	236	50	1894	352	0	2296	3538
08:00	30	48	7	0	85	10	119	10	0	139	25	37	6	0	68	5	378	70	0	453	745
08:15	33	45	1	0	79	12	132	9	0	153	22	39	12	0	73	6	364	66	0	436	741
08:30	31	32	11	0	74	6	137	15	0	158	32	37	12	0	81	6	268	66	0	340	653
08:45	35	47	6	0	88	9	135	16	0	160	25	39	9	0	73	17	246	69	0	332	653
Total	129	172	25	0	326	37	523	50	0	610	104	152	39	0	295	34	1256	271	0	1561	2792
11:00	39	33	7	0	79	12	112	10	0	134	33	29	22	0	84	7	178	42	0	227	524
11:15	25	37	19	0	81	18	156	21	0	195	34	17	21	0	72	14	165	38	0	217	565
11:30	28	20	10	0	58	14	142	22	0	178	28	26	19	0	73	7	161	32	0	200	509
11:45	27	36	13	0	76	22	175	33	0	230	27	22	17	0	66	14	181	30	0	225	597
Total	119	126	49	0	294	66	585	86	0	737	122	94	79	0	295	42	685	142	0	869	2195
12:00	42	41	11	0	94	13	150	25	0	188	32	36	13	0	81	12	182	24	0	218	581
12:15	36	28	20	0	84	12	179	22	0	213	43	21	20	0	84	14	184	43	0	241	622
12:30	20	21	12	0	53	13	185	23	0	221	33	37	17	0	87	19	164	32	0	215	576
12:45	31	38	12	0	81	22	211	27	0	260	34	34	24	0	92	9	158	40	0	207	640
Total	129	128	55	0	312	60	725	97	0	882	142	128	74	0	344	54	688	139	0	881	2419
15:00	17	24	4	0	45	12	311	10	0	333	48	35	30	0	113	5	157	24	0	186	677
15:15	13	23	13	0	49	7	347	23	0	377	65	40	20	0	125	8	144	30	0	182	733
15:30	28	38	11	0	77	10	402	27	0	439	53	34	26	0	113	5	197	34	0	236	865
15:45	13	30	16	0	59	11	409	25	0	445	75	42	18	0	135	6	169	46	0	221	860
Total	71	115	44	0	230	40	1469	85	0	1594	241	151	94	0	486	24	667	134	0	825	3135
16:00	20	19	9	0	48	13	448	14	0	475	80	42	25	0	147	9	191	40	0	240	910
16:15	22	25	19	0	66	17	413	25	0	455	82	59	16	0	157	8	163	34	0	205	883
16:30	12	23	18	0	53	19	439	34	0	492	86	54	18	0	158	4	174	41	0	219	922
16:45	17	43	14	0	74	15	437	21	0	473	98	49	17	0	164	4	180	34	0	218	929
Total	71	110	60	0	241	64	1737	94	0	1895	346	204	76	0	626	25	708	149	0	882	3644
17:00	21	38	16	0	75	21	463	26	0	510	107	54	23	0	184	8	166	47	0	221	990
17:15	13	26	20	0	59	8	503	45	0	556	91	40	22	0	153	4	196	32	0	232	1000
17:30	18	29	19	0	66	18	412	32	0	462	68	59	13	0	140	13	146	42	0	201	869
17:45	26	39	9	0	74	19	357	33	0	409	59	65	16	0	140	9	155	47	0	211	834
Total	78	132	64	0	274	66	1735	136	0	1937	325	218	74	0	617	34	663	168	0	865	3693
Grand Total	824	1020	363	0	2207	396	7692	662	0	8750	1450	1080	490	0	3020	282	8286	1512	1	10081	24058
Apprch %	37.3	46.2	16.4	0		4.5	87.9	7.6	0		48	35.8	16.2	0		2.8	82.2	15	0		
Total %	3.4	4.2	1.5	0	9.2	1.6	32	2.8	0	36.4	6	4.5	2	0	12.6	1.2	34.4	6.3	0	41.9	

Peony			
Out	In	Total	
2024	2207	4231	
363	1020	824	0
Right	Thru	Left	Peds

North

7/25/2006 06:00
7/25/2006 17:45
Unshifted

TH 55			
Out	In	Total	
9505	10081	19586	
1	1512	8286	282
Peds	Right	Thru	Left

TH 55			
Out	In	Total	
9600	8750	18350	
662	7692	396	0
Right	Thru	Left	Peds

CR101			
Left	Thru	Right	Peds
1450	1080	490	0
2928	3020	5948	
Out	In	Total	

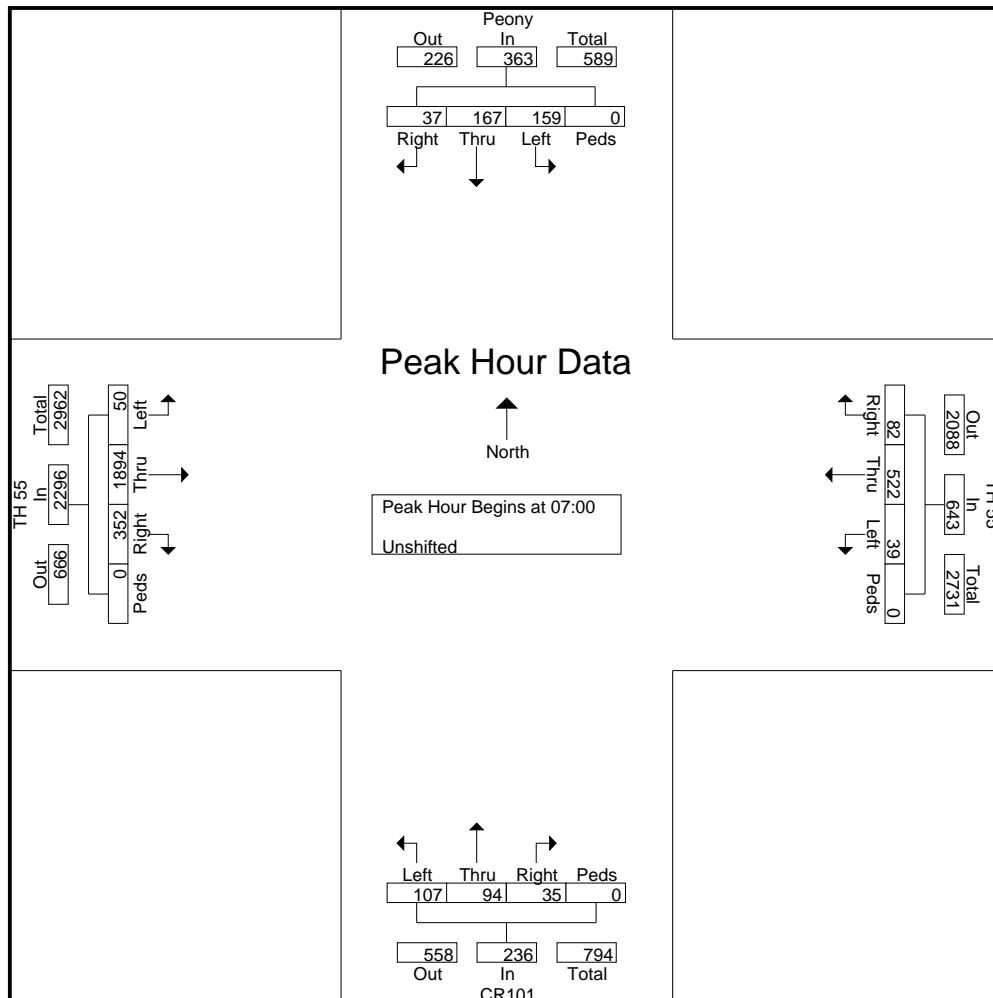


MINNESOTA DEPT OF TRANSPORTATION

TRAFFIC DATA COLLECTION - METRO

File Name : TH 55 @ CR 101-PEONY 2006
 Site Code : 07250422
 Start Date : 7/25/2006
 Page No : 3

Start Time	Peony Southbound					TH 55 Westbound					CR101 Northbound					TH 55 Eastbound					Int. Total
	Left	Thru	Right	Peds	App. Total	Left	Thru	Right	Peds	App. Total	Left	Thru	Right	Peds	App. Total	Left	Thru	Right	Peds	App. Total	
Peak Hour Analysis From 06:00 to 09:45 - Peak 1 of 1																					
Peak Hour for Entire Intersection Begins at 07:00																					
07:00	35	33	3	0	71	7	124	14	0	145	29	15	8	0	52	0	449	83	0	532	800
07:15	43	40	7	0	90	10	110	24	0	144	27	27	6	0	60	25	500	77	0	602	896
07:30	36	51	9	0	96	10	152	25	0	187	27	24	15	0	66	15	480	104	0	599	948
07:45	45	43	18	0	106	12	136	19	0	167	24	28	6	0	58	10	465	88	0	563	894
Total Volume	159	167	37	0	363	39	522	82	0	643	107	94	35	0	236	50	1894	352	0	2296	3538
% App. Total	43.8	46	10.2	0		6.1	81.2	12.8	0		45.3	39.8	14.8	0		2.2	82.5	15.3	0		
PHF	.883	.819	.514	.000	.856	.813	.859	.820	.000	.860	.922	.839	.583	.000	.894	.500	.947	.846	.000	.953	.933





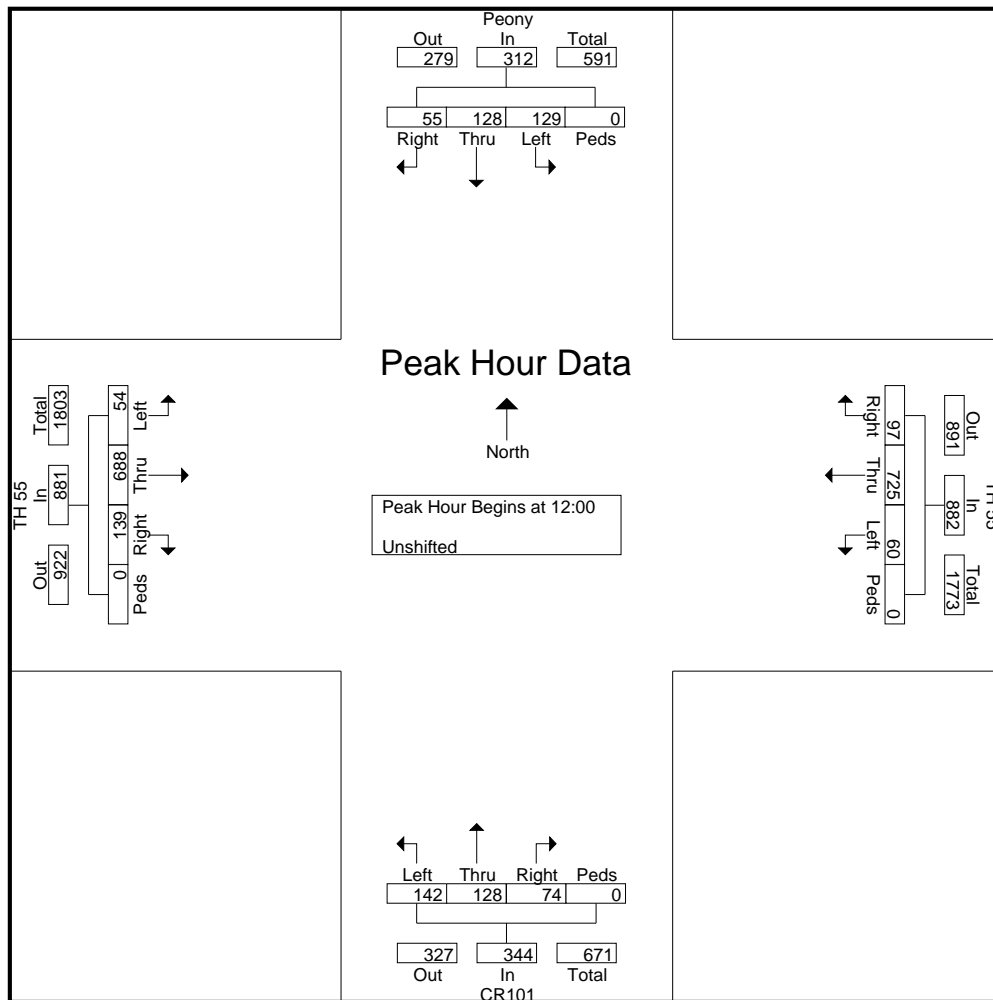
MINNESOTA DEPT OF TRANSPORTATION

TRAFFIC DATA COLLECTION - METRO

File Name : TH 55 @ CR 101-PEONY 2006
 Site Code : 07250422
 Start Date : 7/25/2006
 Page No : 4

Start Time	Peony Southbound					TH 55 Westbound					CR101 Northbound					TH 55 Eastbound					Int. Total
	Left	Thru	Right	Peds	App. Total	Left	Thru	Right	Peds	App. Total	Left	Thru	Right	Peds	App. Total	Left	Thru	Right	Peds	App. Total	
12:00	42	41	11	0	94	13	150	25	0	188	32	36	13	0	81	12	182	24	0	218	581
12:15	36	28	20	0	84	12	179	22	0	213	43	21	20	0	84	14	184	43	0	241	622
12:30	20	21	12	0	53	13	185	23	0	221	33	37	17	0	87	19	164	32	0	215	576
12:45	31	38	12	0	81	22	211	27	0	260	34	34	24	0	92	9	158	40	0	207	640
Total Volume	129	128	55	0	312	60	725	97	0	882	142	128	74	0	344	54	688	139	0	881	2419
% App. Total	41.3	41	17.6	0		6.8	82.2	11	0		41.3	37.2	21.5	0		6.1	78.1	15.8	0		
PHF	.768	.780	.688	.000	.830	.682	.859	.898	.000	.848	.826	.865	.771	.000	.935	.711	.935	.808	.000	.914	.945

Peak Hour Analysis From 10:00 to 13:45 - Peak 1 of 1
 Peak Hour for Entire Intersection Begins at 12:00





MINNESOTA DEPT OF TRANSPORTATION

TRAFFIC DATA COLLECTION - METRO

File Name : TH 55 @ CR 101-PEONY 2006
 Site Code : 07250422
 Start Date : 7/25/2006
 Page No : 5

Start Time	Peony Southbound					TH 55 Westbound					CR101 Northbound					TH 55 Eastbound					Int. Total
	Left	Thru	Right	Peds	App. Total	Left	Thru	Right	Peds	App. Total	Left	Thru	Right	Peds	App. Total	Left	Thru	Right	Peds	App. Total	
Peak Hour Analysis From 14:00 to 17:45 - Peak 1 of 1																					
Peak Hour for Entire Intersection Begins at 16:30																					
16:30	12	23	18	0	53	19	439	34	0	492	86	54	18	0	158	4	174	41	0	219	922
16:45	17	43	14	0	74	15	437	21	0	473	98	49	17	0	164	4	180	34	0	218	929
17:00	21	38	16	0	75	21	463	26	0	510	107	54	23	0	184	8	166	47	0	221	990
17:15	13	26	20	0	59	8	503	45	0	556	91	40	22	0	153	4	196	32	0	232	1000
Total Volume	63	130	68	0	261	63	1842	126	0	2031	382	197	80	0	659	20	716	154	0	890	3841
% App. Total	24.1	49.8	26.1	0		3.1	90.7	6.2	0		58	29.9	12.1	0		2.2	80.4	17.3	0		
PHF	.750	.756	.850	.000	.870	.750	.916	.700	.000	.913	.893	.912	.870	.000	.895	.625	.913	.819	.000	.959	.960

