



# MINNESOTA DEPT OF TRANSPORTATION

## TRAFFIC DATA COLLECTION - METRO

Counted By: Robert & Dorothy  
 Day of the Week: Thursday  
 Location: TH 55 & SS Drive  
 Project #: 5764

File Name : TH 55 @ SOUTH SHORE DR 2006  
 Site Code : 07271612  
 Start Date : 7/27/2006  
 Page No : 1

**Groups Printed- Unshifted**

Start Time	S Shore Dr Southbound					TH 55 Westbound					S Shore Dr Northbound					TH 55 Eastbound					Int. Total
	Left	Thru	Right	Peds	App. Total	Left	Thru	Right	Peds	App. Total	Left	Thru	Right	Peds	App. Total	Left	Thru	Right	Peds	App. Total	
06:00	14	6	10	0	30	4	101	2	0	107	6	3	1	0	10	14	187	12	0	213	360
06:15	17	7	13	0	37	9	128	4	0	141	5	4	0	0	9	26	207	21	0	254	441
06:30	19	17	18	1	55	4	198	10	0	212	3	8	1	0	12	15	337	24	0	376	655
06:45	18	20	25	0	63	6	233	7	0	246	6	8	0	0	14	21	396	55	3	475	798
Total	68	50	66	1	185	23	660	23	0	706	20	23	2	0	45	76	1127	112	3	1318	2254
07:00	13	14	28	0	55	9	214	9	0	232	11	5	3	0	19	16	439	48	0	503	809
07:15	17	13	37	0	67	17	290	10	0	317	12	7	1	0	20	21	486	73	0	580	984
07:30	20	19	37	0	76	12	241	12	0	265	12	7	5	0	24	24	518	64	1	607	972
07:45	13	28	36	0	77	9	358	16	0	383	18	12	4	0	34	27	477	113	8	625	1119
Total	63	74	138	0	275	47	1103	47	0	1197	53	31	13	0	97	88	1920	298	9	2315	3884
08:00	21	10	32	0	63	17	295	6	0	318	16	14	5	0	35	25	482	72	4	583	999
08:15	20	17	30	0	67	10	263	9	0	282	15	5	1	0	21	25	417	48	1	491	861
08:30	24	13	26	0	63	11	253	11	0	275	12	18	3	0	33	23	271	92	10	396	767
08:45	32	7	38	0	77	6	290	13	0	309	18	10	3	0	31	21	280	60	3	364	781
Total	97	47	126	0	270	44	1101	39	0	1184	61	47	12	0	120	94	1450	272	18	1834	3408
11:00	28	17	32	0	77	7	219	13	0	239	25	14	9	0	48	21	202	15	0	238	602
11:15	24	10	42	0	76	12	224	16	0	252	21	13	5	0	39	19	229	22	0	270	637
11:30	25	19	20	0	64	12	239	8	0	259	26	11	6	0	43	22	251	20	2	295	661
11:45	21	12	30	0	63	18	254	13	0	285	20	15	6	0	41	18	262	22	1	303	692
Total	98	58	124	0	280	49	936	50	0	1035	92	53	26	0	171	80	944	79	3	1106	2592
12:00	22	17	35	0	74	8	266	21	0	295	26	11	11	0	48	31	233	15	3	282	699
12:15	18	11	30	0	59	5	313	14	0	332	23	11	12	0	46	28	249	17	0	294	731
12:30	24	15	35	0	74	12	258	16	0	286	25	15	6	0	46	27	182	25	0	234	640
12:45	19	16	46	0	81	9	289	13	0	311	23	11	2	0	36	31	195	27	1	254	682
Total	83	59	146	0	288	34	1126	64	0	1224	97	48	31	0	176	117	859	84	4	1064	2752
15:00	29	6	43	0	78	6	329	11	0	346	30	14	16	0	60	36	266	15	0	317	801
15:15	28	15	31	0	74	11	346	15	0	372	31	17	10	0	58	18	278	22	0	318	822
15:30	17	7	35	0	59	9	348	11	0	368	46	17	15	0	78	31	407	22	0	460	965
15:45	19	16	52	0	87	9	357	16	0	382	36	23	13	0	72	21	269	21	1	312	853
Total	93	44	161	0	298	35	1380	53	0	1468	143	71	54	0	268	106	1220	80	1	1407	3441
16:00	19	15	51	0	85	17	392	13	0	422	61	23	5	0	89	17	347	22	0	386	982
16:15	17	16	50	0	83	12	392	16	0	420	63	16	8	0	87	19	313	20	0	352	942
16:30	25	17	42	0	84	24	501	7	0	532	79	17	8	0	104	18	372	32	0	422	1142
16:45	21	17	46	0	84	5	440	11	0	456	82	18	11	0	111	30	368	25	0	423	1074
Total	82	65	189	0	336	58	1725	47	0	1830	285	74	32	0	391	84	1400	99	0	1583	4140
17:00	23	17	52	0	92	20	492	11	0	523	67	26	7	0	100	35	417	24	0	476	1191
17:15	26	18	44	1	89	29	500	13	0	542	80	22	9	0	111	31	409	45	1	486	1228
17:30	19	23	27	0	69	21	410	13	0	444	72	25	13	0	110	31	283	30	0	344	967
17:45	21	12	34	0	67	18	447	20	0	485	69	26	16	0	111	12	257	27	0	296	959
Total	89	70	157	1	317	88	1849	57	0	1994	288	99	45	0	432	109	1366	126	1	1602	4345
Grand Total	673	467	1107	2	2249	378	9880	380	0	10638	1039	446	215	0	1700	754	10286	1150	39	12229	26816
Apprch %	29.9	20.8	49.2	0.1		3.6	92.9	3.6	0		61.1	26.2	12.6	0		6.2	84.1	9.4	0.3		
Total %	2.5	1.7	4.1	0	8.4	1.4	36.8	1.4	0	39.7	3.9	1.7	0.8	0	6.3	2.8	38.4	4.3	0.1	45.6	



# MINNESOTA DEPT OF TRANSPORTATION

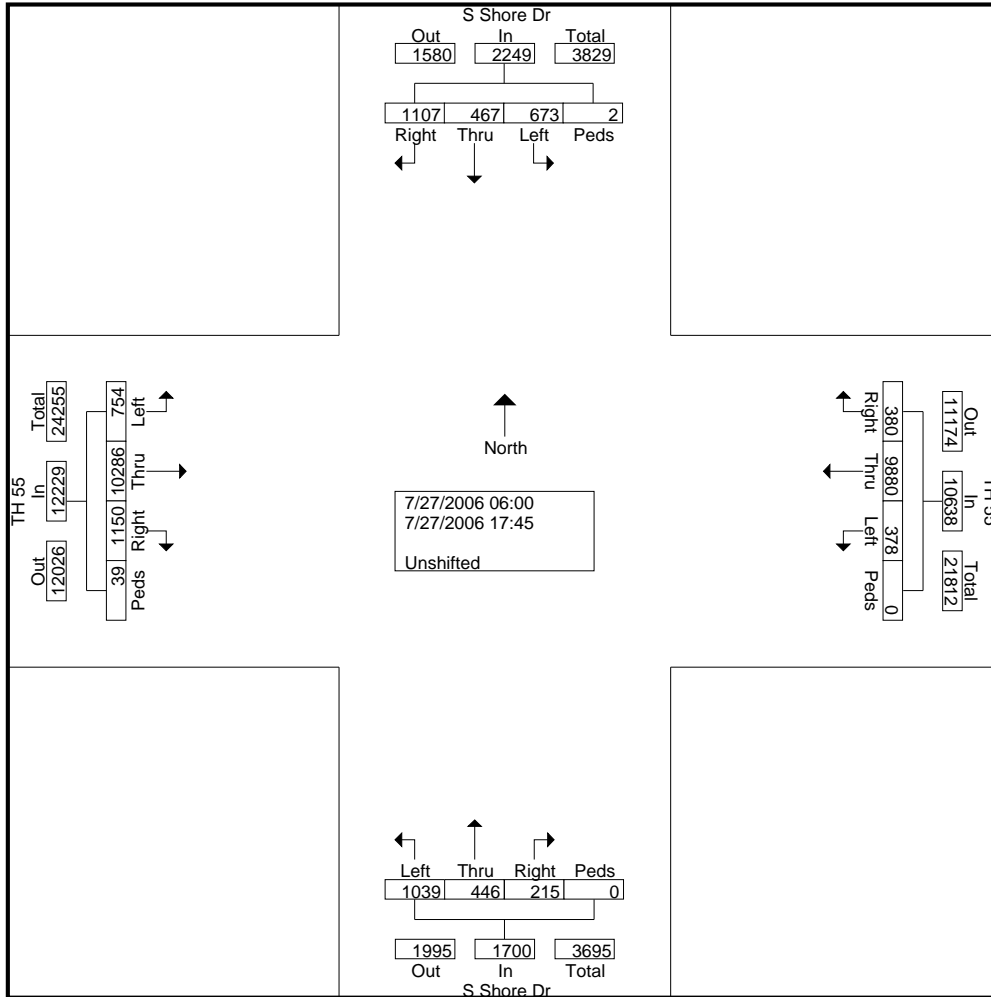
## TRAFFIC DATA COLLECTION - METRO

File Name : TH 55 @ SOUTH SHORE DR 2006

Site Code : 07271612

Start Date : 7/27/2006

Page No : 2



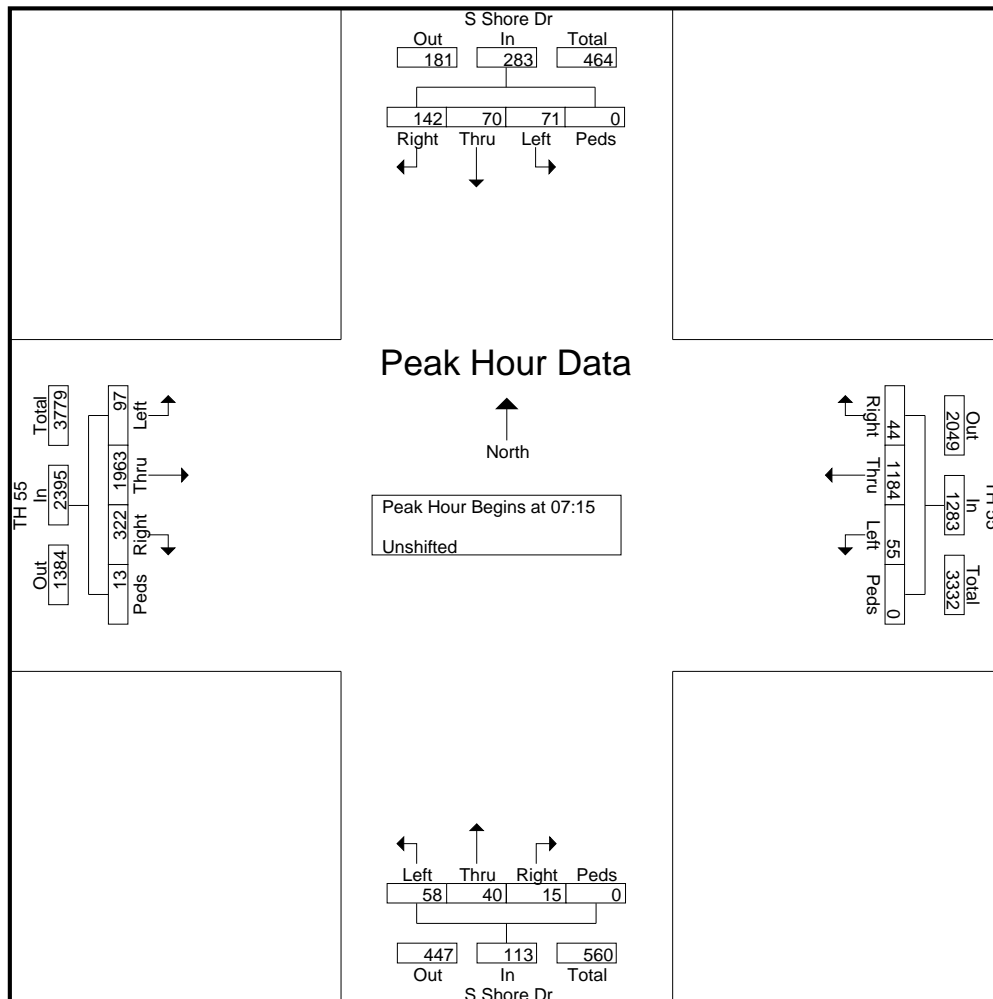


# MINNESOTA DEPT OF TRANSPORTATION

## TRAFFIC DATA COLLECTION - METRO

File Name : TH 55 @ SOUTH SHORE DR 2006  
 Site Code : 07271612  
 Start Date : 7/27/2006  
 Page No : 3

Start Time	S Shore Dr Southbound					TH 55 Westbound					S Shore Dr Northbound					TH 55 Eastbound					Int. Total
	Left	Thru	Right	Peds	App. Total	Left	Thru	Right	Peds	App. Total	Left	Thru	Right	Peds	App. Total	Left	Thru	Right	Peds	App. Total	
Peak Hour Analysis From 06:00 to 09:45 - Peak 1 of 1																					
Peak Hour for Entire Intersection Begins at 07:15																					
07:15	17	13	37	0	67	17	290	10	0	317	12	7	1	0	20	21	486	73	0	580	984
07:30	20	19	37	0	76	12	241	12	0	265	12	7	5	0	24	24	518	64	1	607	972
07:45	13	28	36	0	77	9	358	16	0	383	18	12	4	0	34	27	477	113	8	625	1119
08:00	21	10	32	0	63	17	295	6	0	318	16	14	5	0	35	25	482	72	4	583	999
Total Volume	71	70	142	0	283	55	1184	44	0	1283	58	40	15	0	113	97	1963	322	13	2395	4074
% App. Total	25.1	24.7	50.2	0		4.3	92.3	3.4	0		51.3	35.4	13.3	0		4.1	82	13.4	0.5		
PHF	.845	.625	.959	.000	.919	.809	.827	.688	.000	.837	.806	.714	.750	.000	.807	.898	.947	.712	.406	.958	.910





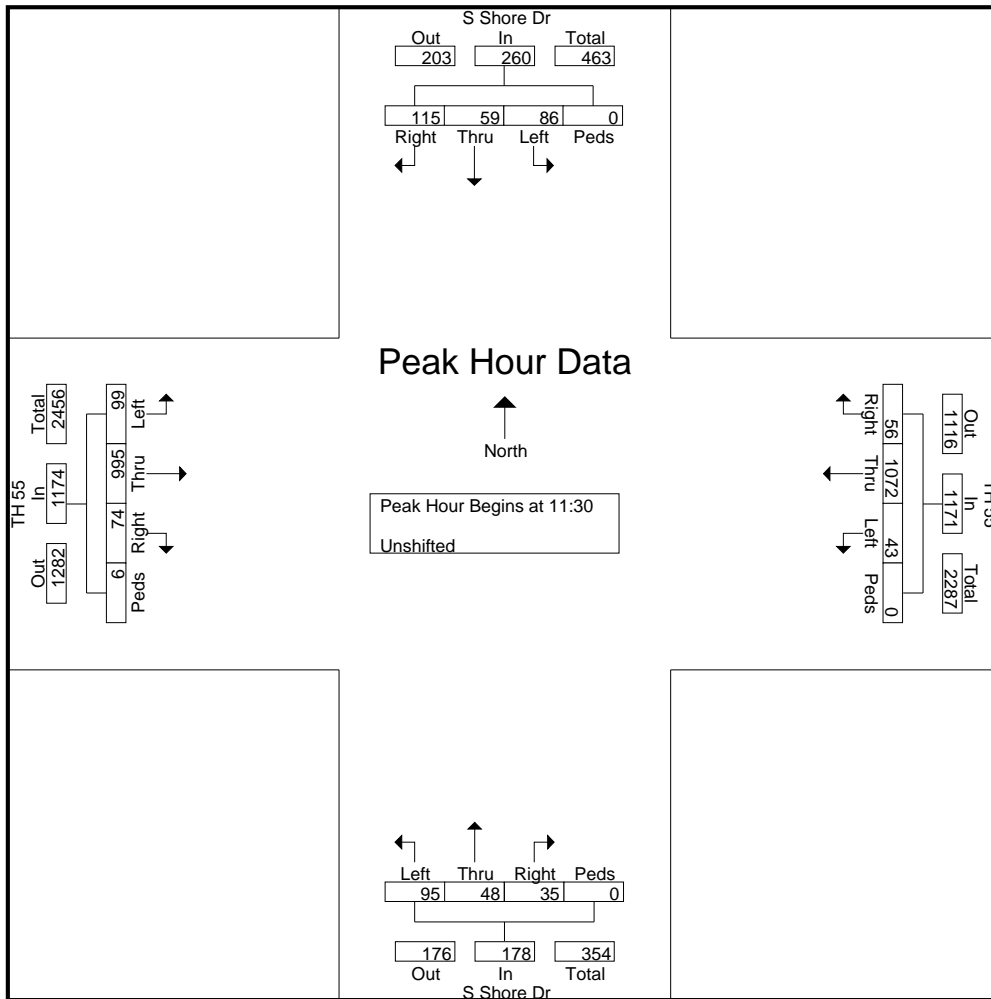
# MINNESOTA DEPT OF TRANSPORTATION

## TRAFFIC DATA COLLECTION - METRO

File Name : TH 55 @ SOUTH SHORE DR 2006  
 Site Code : 07271612  
 Start Date : 7/27/2006  
 Page No : 4

Start Time	S Shore Dr Southbound					TH 55 Westbound					S Shore Dr Northbound					TH 55 Eastbound					Int. Total
	Left	Thru	Right	Peds	App. Total	Left	Thru	Right	Peds	App. Total	Left	Thru	Right	Peds	App. Total	Left	Thru	Right	Peds	App. Total	
11:30	25	19	20	0	64	12	239	8	0	259	26	11	6	0	43	22	251	20	2	295	661
11:45	21	12	30	0	63	18	254	13	0	285	20	15	6	0	41	18	262	22	1	303	692
12:00	22	17	35	0	74	8	266	21	0	295	26	11	11	0	48	31	233	15	3	282	699
12:15	18	11	30	0	59	5	313	14	0	332	23	11	12	0	46	28	249	17	0	294	731
Total Volume	86	59	115	0	260	43	1072	56	0	1171	95	48	35	0	178	99	995	74	6	1174	2783
% App. Total	33.1	22.7	44.2	0		3.7	91.5	4.8	0		53.4	27	19.7	0		8.4	84.8	6.3	0.5		
PHF	.860	.776	.821	.000	.878	.597	.856	.667	.000	.882	.913	.800	.729	.000	.927	.798	.949	.841	.500	.969	.952

Peak Hour Analysis From 10:00 to 13:45 - Peak 1 of 1  
 Peak Hour for Entire Intersection Begins at 11:30





# MINNESOTA DEPT OF TRANSPORTATION

## TRAFFIC DATA COLLECTION - METRO

File Name : TH 55 @ SOUTH SHORE DR 2006  
 Site Code : 07271612  
 Start Date : 7/27/2006  
 Page No : 5

Start Time	S Shore Dr Southbound					TH 55 Westbound					S Shore Dr Northbound					TH 55 Eastbound					Int. Total
	Left	Thru	Right	Peds	App. Total	Left	Thru	Right	Peds	App. Total	Left	Thru	Right	Peds	App. Total	Left	Thru	Right	Peds	App. Total	
16:30	25	17	42	0	84	24	<b>501</b>	7	0	532	79	17	8	0	104	18	372	32	0	422	1142
16:45	21	17	46	0	84	5	440	11	0	456	<b>82</b>	18	<b>11</b>	0	<b>111</b>	30	368	25	0	423	1074
17:00	23	17	<b>52</b>	0	<b>92</b>	20	492	11	0	523	67	<b>26</b>	7	0	100	<b>35</b>	<b>417</b>	24	0	476	1191
17:15	<b>26</b>	<b>18</b>	44	1	89	<b>29</b>	500	<b>13</b>	0	<b>542</b>	80	22	9	0	111	31	409	<b>45</b>	<b>1</b>	<b>486</b>	<b>1228</b>
Total Volume	95	69	184	1	349	78	1933	42	0	2053	308	83	35	0	426	114	1566	126	1	1807	4635
% App. Total	27.2	19.8	52.7	0.3		3.8	94.2	2	0		72.3	19.5	8.2	0		6.3	86.7	7	0.1		
PHF	.913	.958	.885	.250	.948	.672	.965	.808	.000	.947	.939	.798	.795	.000	.959	.814	.939	.700	.250	.930	.944

Peak Hour Analysis From 14:00 to 17:45 - Peak 1 of 1  
 Peak Hour for Entire Intersection Begins at 16:30

