



MINNESOTA DEPT OF TRANSPORTATION

TRAFFIC DATA COLLECTION - METRO

MN-55 AT BLUE GENTIAN RD / LEXINGTON AVE **MN-55 AT BLUE GENTIAN RD LEXINGTON 2007**
REF.PT. 201.357 **Site Code : 00198717**
DATA COLLECTED BY TDI **Start Date : 5/15/2007**
TURN MOVEMENT COUNT **Page No : 1**

Groups Printed- Unshifted

Start Time	Hwy 55 Southbound				Blue Gentian Rd Westbound				Hwy 55 Northbound				Lexington Ave Eastbound				Int. Total
	Left	Thru	Right	Peds	Left	Thru	Right	Peds	Left	Thru	Right	Peds	Left	Thru	Right	Peds	
06:00	13	67	22	0	1	2	5	0	1	129	0	0	44	12	6	0	302
06:15	15	88	15	0	0	3	3	0	4	148	2	0	81	15	5	0	379
06:30	33	94	39	0	0	1	4	0	5	192	1	0	86	16	5	0	476
06:45	60	121	42	0	2	4	5	0	7	222	0	0	105	44	8	0	620
Total	121	370	118	0	3	10	17	0	17	691	3	0	316	87	24	0	1777
07:00	41	131	38	0	1	6	5	0	7	261	5	0	153	40	6	0	694
07:15	36	143	51	0	0	6	5	0	7	270	3	0	163	45	8	0	737
07:30	39	153	56	0	0	4	4	0	6	243	8	0	179	86	16	0	794
07:45	73	149	59	0	0	8	10	0	18	256	5	0	181	101	16	0	876
Total	189	576	204	0	1	24	24	0	38	1030	21	0	676	272	46	0	3101
08:00	48	161	38	0	2	7	6	0	10	215	8	0	153	71	15	0	734
08:15	42	155	37	0	0	7	15	0	10	193	2	0	110	50	16	0	637
08:30	46	125	1	0	4	3	9	0	12	180	2	0	89	42	19	0	532
08:45	29	127	38	0	5	6	3	0	8	140	0	0	61	26	10	0	453
Total	165	568	114	0	11	23	33	0	40	728	12	0	413	189	60	0	2356
*** BREAK ***																	
11:00	14	88	54	0	4	32	23	0	11	75	3	0	30	15	8	0	357
11:15	11	94	47	0	4	30	12	0	12	110	2	0	25	10	17	0	374
11:30	17	105	68	1	7	45	13	0	21	91	4	0	34	18	8	0	432
11:45	20	90	54	0	13	54	28	0	23	110	3	0	43	33	14	0	485
Total	62	377	223	1	28	161	76	0	67	386	12	0	132	76	47	0	1648
12:00	8	102	52	1	6	68	21	0	17	116	11	0	55	41	16	0	514
12:15	26	108	58	0	1	41	13	0	24	123	6	0	47	38	17	0	502
12:30	16	108	60	0	5	25	13	0	27	89	5	0	51	40	17	0	456
12:45	22	111	44	0	4	24	11	0	22	102	9	0	54	71	21	0	495
Total	72	429	214	1	16	158	58	0	90	430	31	0	207	190	71	0	1967
*** BREAK ***																	
15:00	18	144	61	0	4	35	19	0	18	113	1	0	46	14	9	0	482
15:15	16	174	72	0	1	33	18	0	16	116	5	0	29	20	7	0	507
15:30	22	178	98	0	5	46	68	0	14	124	1	0	41	13	6	0	616
15:45	30	187	88	0	2	32	32	0	20	149	2	0	43	16	8	0	609
Total	86	683	319	0	12	146	137	0	68	502	9	0	159	63	30	0	2214
16:00	8	199	128	0	5	58	47	0	28	141	1	0	61	14	8	0	698
16:15	11	192	127	1	2	42	35	1	29	155	0	1	48	7	8	0	659
16:30	6	311	153	2	3	62	66	0	29	163	0	0	51	11	12	0	869
16:45	8	246	174	1	3	51	37	0	31	171	1	0	70	17	18	0	828
Total	33	948	582	4	13	213	185	1	117	630	2	1	230	49	46	0	3054
17:00	13	262	184	0	4	72	75	0	52	212	2	0	77	14	18	1	986
17:15	11	231	155	0	4	64	55	0	45	187	1	0	67	11	41	0	872
17:30	7	263	172	0	1	55	35	0	26	197	1	0	66	12	25	0	860
17:45	9	236	187	0	0	24	22	0	26	131	3	2	50	17	17	0	724
Total	40	992	698	0	9	215	187	0	149	727	7	2	260	54	101	1	3442



MINNESOTA DEPT OF TRANSPORTATION
TRAFFIC DATA COLLECTION - METRO

MN-55 AT BLUE GENTIAN RD / LEXINGTON AVE - HWY-55 AT BLUE GENTIAN RD LEXINGTON 2007
 REF.PT. 201.357 Site Code : 00198717
 DATA COLLECTED BY TDI Start Date : 5/15/2007
 TURN MOVEMENT COUNT Page No : 2

Groups Printed- Unshifted

	Hwy 55 Southbound				Blue Gentian Rd Westbound				Hwy 55 Northbound				Lexington Ave Eastbound				Int. Total
	Left	Thru	Right	Peds	Left	Thru	Right	Peds	Left	Thru	Right	Peds	Left	Thru	Right	Peds	
Grand Total	768	4943	2472	6	93	950	717	1	586	5124	97	3	2393	980	425	1	19559
Apprch %	9.4	60.4	30.2	0.1	5.3	53.9	40.7	0.1	10.1	88.2	1.7	0.1	63	25.8	11.2	0	
Total %	3.9	25.3	12.6	0	0.5	4.9	3.7	0	3	26.2	0.5	0	12.2	5	2.2	0	

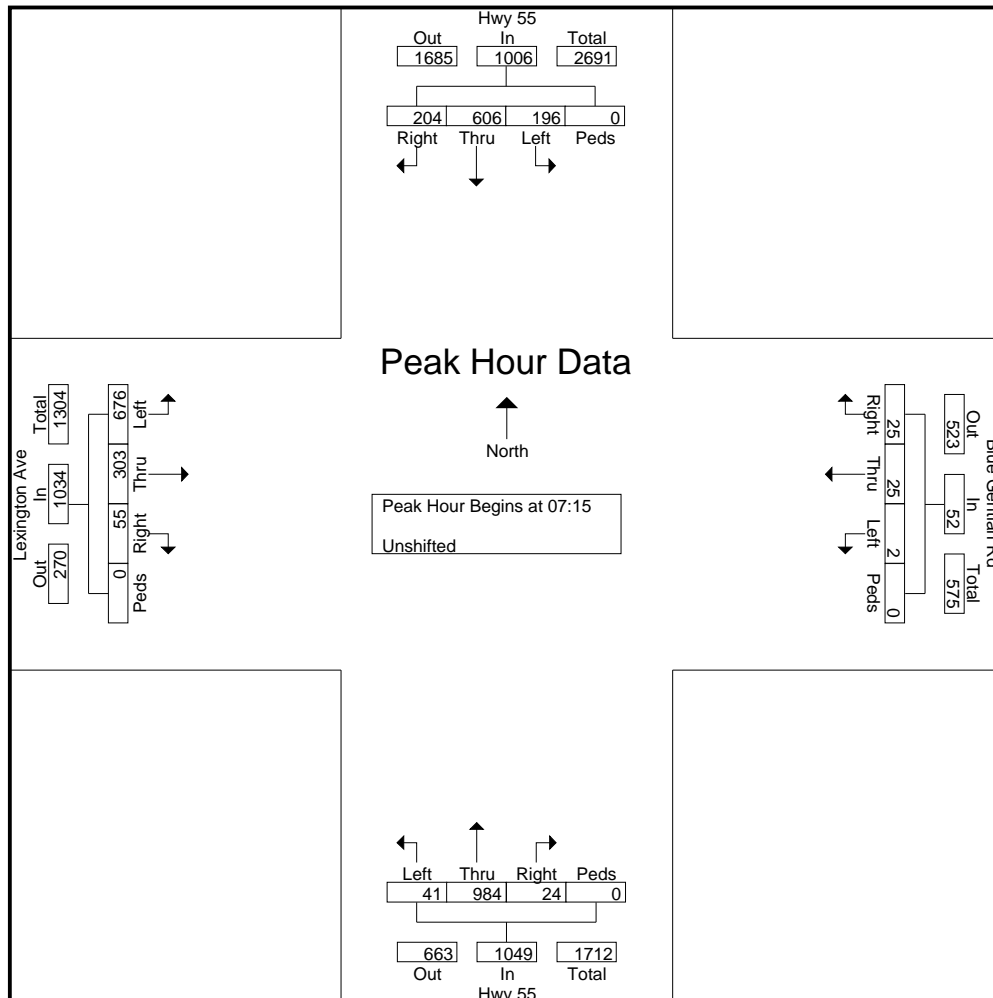


MINNESOTA DEPT OF TRANSPORTATION

TRAFFIC DATA COLLECTION - METRO

MN-55 AT BLUE GENTIAN RD / LEXINGTON AVE **INFORMATION** **Hwy 55 AT BLUE GENTIAN RD LEXINGTON 2007**
REF.PT. 201.357 **Site Code : 00198717**
DATA COLLECTED BY TDI **Start Date : 5/15/2007**
TURN MOVEMENT COUNT **Page No : 3**

Start Time	Hwy 55 Southbound					Blue Gentian Rd Westbound					Hwy 55 Northbound					Lexington Ave Eastbound					Int. Total
	Left	Thru	Right	Peds	App. Total	Left	Thru	Right	Peds	App. Total	Left	Thru	Right	Peds	App. Total	Left	Thru	Right	Peds	App. Total	
Peak Hour Analysis From 06:00 to 08:45 - Peak 1 of 1																					
Peak Hour for Entire Intersection Begins at 07:15																					
07:15	36	143	51	0	230	0	6	5	0	11	7	270	3	0	280	163	45	8	0	216	737
07:30	39	153	56	0	248	0	4	4	0	8	6	243	8	0	257	179	86	16	0	281	794
07:45	73	149	59	0	281	0	8	10	0	18	18	256	5	0	279	181	101	16	0	298	876
08:00	48	161	38	0	247	2	7	6	0	15	10	215	8	0	233	153	71	15	0	239	734
Total Volume	196	606	204	0	1006	2	25	25	0	52	41	984	24	0	1049	676	303	55	0	1034	3141
% App. Total	19.5	60.2	20.3	0		3.8	48.1	48.1	0		3.9	93.8	2.3	0		65.4	29.3	5.3	0		
PHF	.671	.941	.864	.000	.895	.250	.781	.625	.000	.722	.569	.911	.750	.000	.937	.934	.750	.859	.000	.867	.896





MINNESOTA DEPT OF TRANSPORTATION

TRAFFIC DATA COLLECTION - METRO

MN-55 AT BLUE GENTIAN RD / LEXINGTON AVE **INFORMATION** **HWY-55 AT BLUE GENTIAN RD LEXINGTON 2007**
REF.PT. 201.357 **Site Code : 00198717**
DATA COLLECTED BY TDI **Start Date : 5/15/2007**
TURN MOVEMENT COUNT **Page No : 4**

Start Time	Hwy 55 Southbound					Blue Gentian Rd Westbound					Hwy 55 Northbound					Lexington Ave Eastbound					Int. Total
	Left	Thru	Right	Peds	App. Total	Left	Thru	Right	Peds	App. Total	Left	Thru	Right	Peds	App. Total	Left	Thru	Right	Peds	App. Total	
Peak Hour Analysis From 15:00 to 17:45 - Peak 1 of 1																					
Peak Hour for Entire Intersection Begins at 16:30																					
16:30	6	311	153	2	472	3	62	66	0	131	29	163	0	0	192	51	11	12	0	74	869
16:45	8	246	174	1	429	3	51	37	0	91	31	171	1	0	203	70	17	18	0	105	828
17:00	13	262	184	0	459	4	72	75	0	151	52	212	2	0	266	77	14	18	1	110	986
17:15	11	231	155	0	397	4	64	55	0	123	45	187	1	0	233	67	11	41	0	119	872
Total Volume	38	1050	666	3	1757	14	249	233	0	496	157	733	4	0	894	265	53	89	1	408	3555
% App. Total	2.2	59.8	37.9	0.2		2.8	50.2	47	0		17.6	82	0.4	0		65	13	21.8	0.2		
PHF	.731	.844	.905	.375	.931	.875	.865	.777	.000	.821	.755	.864	.500	.000	.840	.860	.779	.543	.250	.857	.901

