



MINNESOTA DEPT OF TRANSPORTATION

TRAFFIC DATA COLLECTION - METRO

TH-61 at 170th Street / CSAH-4 HUGO
 Ref.Pt.: 155.150
 JAMAR # 631 RE
 TURN MOVEMENT COUNT

File Name : TH-61 at 170th St CSAH-4 2010
 Site Code : 00000000
 Start Date : 7/14/2010
 Page No : 1

Groups Printed- Cars & Trucks

Start Time	TH-61 Southbound				170th St / CSAH-4 Westbound				TH-61 Northbound				170th St Eastbound				Int. Total
	Left	Thru	Right	Peds	Left	Thru	Right	Peds	Left	Thru	Right	Peds	Left	Thru	Right	Peds	
06:00	10	37	2	0	36	15	6	0	0	11	1	0	1	3	1	0	123
06:15	10	49	3	0	31	17	11	0	0	22	4	0	1	0	4	0	152
06:30	12	69	7	0	28	11	4	0	0	17	1	0	4	2	6	0	161
06:45	11	70	8	0	34	13	7	0	1	20	5	0	0	4	3	0	176
Total	43	225	20	0	129	56	28	0	1	70	11	0	6	9	14	0	612
07:00	11	89	7	0	15	12	11	0	0	32	9	0	3	1	1	0	191
07:15	16	90	3	0	33	25	10	0	3	29	12	0	1	4	4	0	230
07:30	16	118	8	0	29	12	9	0	1	38	7	0	4	5	4	0	251
07:45	17	69	7	0	31	10	11	0	4	38	7	0	3	4	4	0	205
Total	60	366	25	0	108	59	41	0	8	137	35	0	11	14	13	0	877
08:00	7	69	5	0	17	9	11	0	1	41	11	0	3	1	3	0	178
08:15	7	59	3	0	14	16	10	1	0	33	11	0	3	2	0	0	159
08:30	6	53	6	0	13	10	12	0	1	43	18	0	1	2	1	0	166
08:45	9	48	2	0	20	13	10	0	6	36	10	0	1	5	7	0	167
Total	29	229	16	0	64	48	43	1	8	153	50	0	8	10	11	0	670
*** BREAK ***																	
15:00	9	63	1	0	16	6	18	0	6	88	19	0	7	10	5	0	248
15:15	9	38	4	1	8	7	10	1	8	75	21	0	2	5	1	0	190
15:30	12	44	8	0	15	8	10	0	7	93	20	0	3	11	6	0	237
15:45	19	46	4	0	13	8	19	0	3	110	41	0	4	9	6	0	282
Total	49	191	17	1	52	29	57	1	24	366	101	0	16	35	18	0	957
16:00	6	57	6	0	18	6	19	0	10	107	42	0	4	13	7	0	295
16:15	12	47	2	0	12	9	15	0	4	106	33	0	3	8	5	0	256
16:30	13	69	5	0	14	7	25	0	6	116	34	0	6	11	3	0	309
16:45	12	57	7	0	8	10	12	0	4	98	35	0	7	10	4	0	264
Total	43	230	20	0	52	32	71	0	24	427	144	0	20	42	19	0	1124
17:00	13	60	7	0	14	5	12	0	4	116	36	0	12	12	6	0	297
17:15	14	53	3	0	14	6	14	0	8	128	40	0	2	12	7	0	301
17:30	16	70	3	0	9	12	13	0	6	105	34	0	4	5	5	0	282
17:45	14	62	2	0	9	5	14	0	3	97	35	0	4	10	2	0	257
Total	57	245	15	0	46	28	53	0	21	446	145	0	22	39	20	0	1137
Grand Total	281	1486	113	1	451	252	293	2	86	1599	486	0	83	149	95	0	5377
Apprch %	14.9	79	6	0.1	45.2	25.3	29.4	0.2	4	73.7	22.4	0	25.4	45.6	29.1	0	
Total %	5.2	27.6	2.1	0	8.4	4.7	5.4	0	1.6	29.7	9	0	1.5	2.8	1.8	0	



MINNESOTA DEPT OF TRANSPORTATION

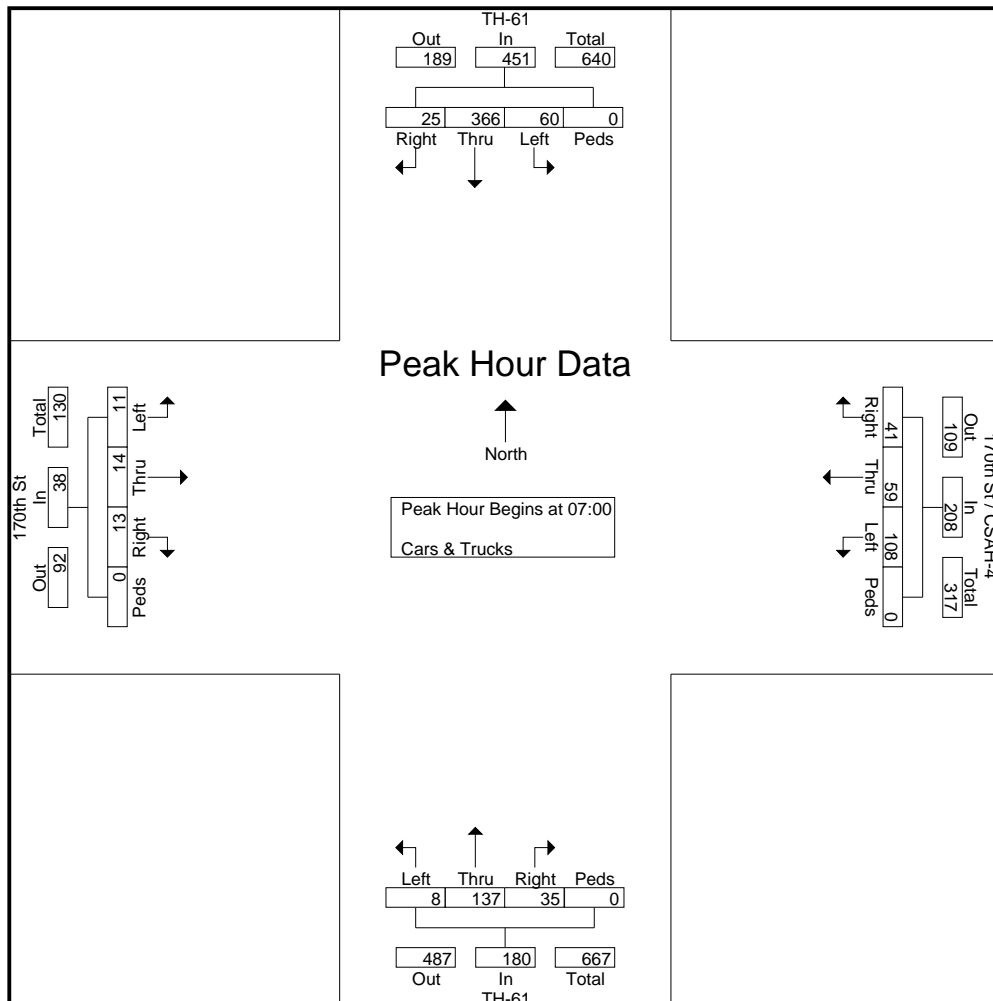
TRAFFIC DATA COLLECTION - METRO

TH-61 at 170th Street / CSAH-4
 Ref.Pt.: 155.150
 JAMAR # 631 RE
 TURN MOVEMENT COUNT

HUGO

File Name : TH-61 at 170th St CSAH-4 2010
 Site Code : 00000000
 Start Date : 7/14/2010
 Page No : 2

Start Time	TH-61 Southbound					170th St / CSAH-4 Westbound					TH-61 Northbound					170th St Eastbound					Int. Total
	Left	Thru	Right	Peds	App. Total	Left	Thru	Right	Peds	App. Total	Left	Thru	Right	Peds	App. Total	Left	Thru	Right	Peds	App. Total	
Peak Hour Analysis From 06:00 to 08:45 - Peak 1 of 1																					
Peak Hour for Entire Intersection Begins at 07:00																					
07:00	11	89	7	0	107	15	12	11	0	38	0	32	9	0	41	3	1	1	0	5	191
07:15	16	90	3	0	109	33	25	10	0	68	3	29	12	0	44	1	4	4	0	9	230
07:30	16	118	8	0	142	29	12	9	0	50	1	38	7	0	46	4	5	4	0	13	251
07:45	17	69	7	0	93	31	10	11	0	52	4	38	7	0	49	3	4	4	0	11	205
Total Volume	60	366	25	0	451	108	59	41	0	208	8	137	35	0	180	11	14	13	0	38	877
% App. Total	13.3	81.2	5.5	0		51.9	28.4	19.7	0		4.4	76.1	19.4	0		28.9	36.8	34.2	0		
PHF	.882	.775	.781	.000	.794	.818	.590	.932	.000	.765	.500	.901	.729	.000	.918	.688	.700	.813	.000	.731	.874





MINNESOTA DEPT OF TRANSPORTATION

TRAFFIC DATA COLLECTION - METRO

TH-61 at 170th Street / CSAH-4 HUGO
 Ref.Pt.: 155.150
 JAMAR # 631 RE
 TURN MOVEMENT COUNT

File Name : TH-61 at 170th St CSAH-4 2010
 Site Code : 00000000
 Start Date : 7/14/2010
 Page No : 3

Start Time	TH-61 Southbound					170th St / CSAH-4 Westbound					TH-61 Northbound					170th St Eastbound					Int. Total
	Left	Thru	Right	Peds	App. Total	Left	Thru	Right	Peds	App. Total	Left	Thru	Right	Peds	App. Total	Left	Thru	Right	Peds	App. Total	

Peak Hour Analysis From 15:00 to 17:45 - Peak 1 of 1
 Peak Hour for Entire Intersection Begins at 16:30

16:30	13	69	5	0	87	14	7	25	0	46	6	116	34	0	156	6	11	3	0	20	309
16:45	12	57	7	0	76	8	10	12	0	30	4	98	35	0	137	7	10	4	0	21	264
17:00	13	60	7	0	80	14	5	12	0	31	4	116	36	0	156	12	12	6	0	30	297
17:15	14	53	3	0	70	14	6	14	0	34	8	128	40	0	176	2	12	7	0	21	301
Total Volume	52	239	22	0	313	50	28	63	0	141	22	458	145	0	625	27	45	20	0	92	1171
% App. Total	16.6	76.4	7	0		35.5	19.9	44.7	0		3.5	73.3	23.2	0		29.3	48.9	21.7	0		
PHF	.929	.866	.786	.000	.899	.893	.700	.630	.000	.766	.688	.895	.906	.000	.888	.563	.938	.714	.000	.767	.947

