



MINNESOTA DEPT OF TRANSPORTATION

TRAFFIC DATA COLLECTION - METRO

TH-61 at 140th St N/ CSAH-8 (Hugo)

Ref.Pt.: 152.065

Data by: Alliant Inc.

TURN MOVEMENT COUNT

File Name : TH-61 at 140th St N 2008

Site Code : 00000121

Start Date : 9/25/2008

Page No : 1

Groups Printed- Unshifted

Start Time	TH-61 Southbound				140th St N Westbound				TH-61 Northbound				140th St N Eastbound				Int. Total
	Left	Thru	Right	Peds	Left	Thru	Right	Peds	Left	Thru	Right	Peds	Left	Thru	Right	Peds	
06:00	2	64	9	0	12	2	34	0	0	18	1	0	4	0	7	0	153
06:15	6	107	15	0	19	2	27	0	1	32	4	0	4	2	8	0	227
06:30	14	126	16	0	31	5	20	0	1	38	2	0	10	1	7	0	271
06:45	12	154	29	0	50	4	43	0	2	47	3	0	16	2	10	0	372
Total	34	451	69	0	112	13	124	0	4	135	10	0	34	5	32	0	1023
07:00	8	191	10	0	57	6	29	0	5	46	7	0	18	2	15	0	394
07:15	9	191	15	0	38	3	30	0	5	56	2	0	9	3	10	0	371
07:30	15	214	19	0	50	3	20	0	2	86	3	0	26	1	8	0	447
07:45	20	130	20	0	31	2	30	0	3	74	9	0	16	1	2	0	338
Total	52	726	64	0	176	14	109	0	15	262	21	0	69	7	35	0	1550
08:00	18	116	17	0	16	2	23	0	2	76	3	0	14	1	5	0	293
08:15	14	117	14	0	27	0	22	0	1	70	7	0	16	1	2	0	291
08:30	9	99	11	0	19	0	25	0	3	63	4	0	7	0	3	0	243
08:45	10	84	9	0	25	4	16	0	3	45	5	0	13	1	5	0	220
Total	51	416	51	0	87	6	86	0	9	254	19	0	50	3	15	0	1047
09:00	10	86	12	0	25	1	32	0	5	71	11	0	15	0	4	0	272
09:15	15	102	16	0	13	0	20	0	0	66	5	0	7	1	3	0	248
*** BREAK ***																	
Total	25	188	28	0	38	1	52	0	5	137	16	0	22	1	7	0	520
*** BREAK ***																	
10:30	10	65	12	0	15	3	27	0	0	52	9	0	10	2	3	0	208
10:45	6	66	11	0	2	2	15	0	1	66	6	0	12	1	3	0	191
Total	16	131	23	0	17	5	42	0	1	118	15	0	22	3	6	0	399
11:00	19	81	9	0	11	1	18	0	5	64	4	0	11	2	1	0	226
11:15	12	74	16	0	14	3	22	0	2	86	8	0	11	2	3	0	253
11:30	12	100	19	0	15	0	18	0	2	99	8	0	23	3	4	0	303
11:45	19	72	9	0	11	0	30	0	2	102	5	0	14	2	2	0	268
Total	62	327	53	0	51	4	88	0	11	351	25	0	59	9	10	0	1050
12:00	24	79	11	0	6	1	19	0	6	81	8	0	20	3	4	0	262
12:15	20	82	15	0	9	2	10	0	3	120	18	0	19	3	8	0	309
12:30	16	81	18	0	8	7	35	0	2	119	11	0	16	1	3	0	317
12:45	13	73	15	0	17	2	17	0	6	75	9	0	17	0	1	0	245
Total	73	315	59	0	40	12	81	0	17	395	46	0	72	7	16	0	1133
13:00	17	72	15	0	7	1	18	0	5	82	5	0	13	1	6	0	242
13:15	21	74	10	0	10	2	22	0	4	74	13	0	15	0	5	0	250
*** BREAK ***																	
Total	38	146	25	0	17	3	40	0	9	156	18	0	28	1	11	0	492
*** BREAK ***																	
14:30	20	84	10	0	2	1	19	0	4	95	8	0	16	0	3	0	262
14:45	26	79	14	0	10	2	14	0	2	113	13	0	11	2	1	0	287
Total	46	163	24	0	12	3	33	0	6	208	21	0	27	2	4	0	549
15:00	19	84	16	0	8	3	18	0	6	117	12	0	22	1	8	0	314
15:15	26	74	26	0	7	3	15	0	6	122	11	0	22	1	2	0	315
15:30	42	110	11	0	10	2	25	0	4	157	13	0	32	3	6	0	415
15:45	40	111	16	0	15	1	26	0	7	197	12	0	26	1	1	0	453
Total	127	379	69	0	40	9	84	0	23	593	48	0	102	6	17	0	1497



MINNESOTA DEPT OF TRANSPORTATION

TRAFFIC DATA COLLECTION - METRO

TH-61 at 140th St N/ CSAH-8 (Hugo)

Ref.Pt.: 152.065

Data by: Alliant Inc.

TURN MOVEMENT COUNT

File Name : TH-61 at 140th St N 2008

Site Code : 00000121

Start Date : 9/25/2008

Page No : 2

Groups Printed- Unshifted

Start Time	TH-61 Southbound				140th St N Westbound				TH-61 Northbound				140th St N Eastbound				Int. Total
	Left	Thru	Right	Peds	Left	Thru	Right	Peds	Left	Thru	Right	Peds	Left	Thru	Right	Peds	
16:00	36	90	22	0	16	3	26	1	5	153	18	0	59	4	3	0	436
16:15	38	114	17	0	8	4	24	0	5	159	25	0	28	7	8	0	437
16:30	42	92	18	0	12	4	22	0	21	150	19	0	39	6	1	0	426
16:45	40	109	18	0	12	1	29	0	13	197	22	0	30	8	3	0	482
Total	156	405	75	0	48	12	101	1	44	659	84	0	156	25	15	0	1781
17:00	46	116	15	0	11	3	31	0	16	160	19	0	39	2	3	0	461
17:15	46	98	17	0	12	1	29	0	4	171	18	0	20	5	9	0	430
17:30	41	99	23	0	20	1	30	0	7	153	24	0	24	4	9	0	435
17:45	42	108	26	0	16	2	25	0	4	108	23	0	20	4	0	0	378
Total	175	421	81	0	59	7	115	0	31	592	84	0	103	15	21	0	1704
Grand Total	855	4068	621	0	697	89	955	1	175	3860	407	0	744	84	189	0	12745
Apprch %	15.4	73.4	11.2	0	40	5.1	54.8	0.1	3.9	86.9	9.2	0	73.2	8.3	18.6	0	
Total %	6.7	31.9	4.9	0	5.5	0.7	7.5	0	1.4	30.3	3.2	0	5.8	0.7	1.5	0	



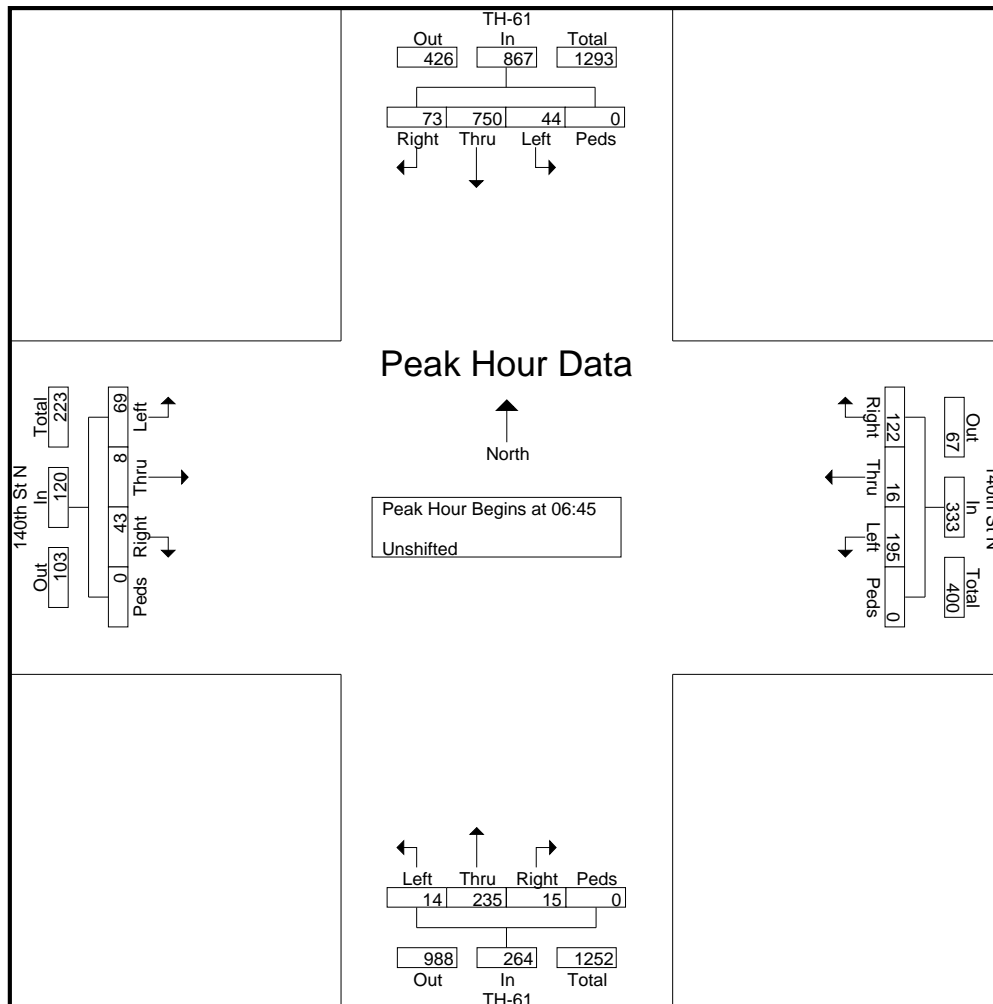
MINNESOTA DEPT OF TRANSPORTATION

TRAFFIC DATA COLLECTION - METRO

TH-61 at 140th St N/ CSAH-8 (Hugo)
 Ref.Pt.: 152.065
 Data by: Alliant Inc.
 TURN MOVEMENT COUNT

File Name : TH-61 at 140th St N 2008
 Site Code : 00000121
 Start Date : 9/25/2008
 Page No : 3

Start Time	TH-61 Southbound					140th St N Westbound					TH-61 Northbound					140th St N Eastbound					Int. Total
	Left	Thru	Right	Peds	App. Total	Left	Thru	Right	Peds	App. Total	Left	Thru	Right	Peds	App. Total	Left	Thru	Right	Peds	App. Total	
Peak Hour Analysis From 06:00 to 08:45 - Peak 1 of 1																					
Peak Hour for Entire Intersection Begins at 06:45																					
06:45	12	154	29	0	195	50	4	43	0	97	2	47	3	0	52	16	2	10	0	28	372
07:00	8	191	10	0	209	57	6	29	0	92	5	46	7	0	58	18	2	15	0	35	394
07:15	9	191	15	0	215	38	3	30	0	71	5	56	2	0	63	9	3	10	0	22	371
07:30	15	214	19	0	248	50	3	20	0	73	2	86	3	0	91	26	1	8	0	35	447
Total Volume	44	750	73	0	867	195	16	122	0	333	14	235	15	0	264	69	8	43	0	120	1584
% App. Total	5.1	86.5	8.4	0		58.6	4.8	36.6	0		5.3	89	5.7	0		57.5	6.7	35.8	0		
PHF	.733	.876	.629	.000	.874	.855	.667	.709	.000	.858	.700	.683	.536	.000	.725	.663	.667	.717	.000	.857	.886





MINNESOTA DEPT OF TRANSPORTATION

TRAFFIC DATA COLLECTION - METRO

TH-61 at 140th St N/ CSAH-8 (Hugo)
 Ref.Pt.: 152.065
 Data by: Alliant Inc.
 TURN MOVEMENT COUNT

File Name : TH-61 at 140th St N 2008
 Site Code : 00000121
 Start Date : 9/25/2008
 Page No : 4

Start Time	TH-61 Southbound					140th St N Westbound					TH-61 Northbound					140th St N Eastbound					Int. Total
	Left	Thru	Right	Peds	App. Total	Left	Thru	Right	Peds	App. Total	Left	Thru	Right	Peds	App. Total	Left	Thru	Right	Peds	App. Total	

Peak Hour Analysis From 15:00 to 17:45 - Peak 1 of 1
 Peak Hour for Entire Intersection Begins at 16:45

16:45	40	109	18	0	167	12	1	29	0	42	13	197	22	0	232	30	8	3	0	41	482
17:00	46	116	15	0	177	11	3	31	0	45	16	160	19	0	195	39	2	3	0	44	461
17:15	46	98	17	0	161	12	1	29	0	42	4	171	18	0	193	20	5	9	0	34	430
17:30	41	99	23	0	163	20	1	30	0	51	7	153	24	0	184	24	4	9	0	37	435
Total Volume	173	422	73	0	668	55	6	119	0	180	40	681	83	0	804	113	19	24	0	156	1808
% App. Total	25.9	63.2	10.9	0		30.6	3.3	66.1	0		5	84.7	10.3	0		72.4	12.2	15.4	0		
PHF	.940	.909	.793	.000	.944	.688	.500	.960	.000	.882	.625	.864	.865	.000	.866	.724	.594	.667	.000	.886	.938

