



MINNESOTA DEPT OF TRANSPORTATION

TRAFFIC DATA COLLECTION - METRO

loc: th 65 @ 45th av n 2003
 ref pt: 005+00.135
 data collected by: alliant eng
 tmc: am noon pm

File Name : T.H. 65 at 45th
 Site Code : 00000004
 Start Date : 7/30/2003
 Page No : 1

Groups Printed- Unshifted

Start Time	T.H. 65 Southbound					45th Ave. NE Westbound					T.H. 65 Northbound					45th Ave. NE Eastbound					Int. Total
	Left	Thru	Right	Peds	App. Total	Left	Thru	Right	Peds	App. Total	Left	Thru	Right	Peds	App. Total	Left	Thru	Right	Peds	App. Total	
06:00	1	95	0	0	96	4	2	2	0	8	0	38	1	1	40	3	3	4	0	10	154
06:15	0	141	2	0	143	2	0	3	1	6	1	43	0	1	45	6	1	7	0	14	208
06:30	2	180	4	0	186	0	4	2	2	8	2	70	0	0	72	5	1	0	1	7	273
06:45	0	194	6	0	200	4	3	7	2	16	0	73	2	0	75	8	2	6	0	16	307
Total	3	610	12	0	625	10	9	14	5	38	3	224	3	2	232	22	7	17	1	47	942
07:00	0	240	2	0	242	3	4	4	1	12	1	73	3	1	78	10	3	2	0	15	347
07:15	2	227	13	1	243	3	4	3	0	10	0	83	0	0	83	2	3	6	2	13	349
07:30	3	179	7	0	189	1	2	4	1	8	1	102	2	0	105	5	0	3	1	9	311
07:45	3	220	7	0	230	3	1	2	0	6	2	109	0	0	111	7	2	3	0	12	359
Total	8	866	29	1	904	10	11	13	2	36	4	367	5	1	377	24	8	14	3	49	1366
08:00	4	166	8	2	180	1	0	3	1	5	1	101	3	0	105	3	2	4	0	9	299
08:15	1	152	5	0	158	6	8	6	0	20	5	123	0	0	128	7	1	4	0	12	318
08:30	2	172	6	0	180	2	6	4	1	13	3	104	0	0	107	13	5	5	3	26	326
08:45	1	190	5	0	196	3	0	4	0	7	2	134	2	1	139	7	2	7	2	18	360
Total	8	680	24	2	714	12	14	17	2	45	11	462	5	1	479	30	10	20	5	65	1303
11:00	1	178	8	3	190	4	3	6	0	13	10	178	2	0	190	14	4	12	2	32	425
11:15	2	180	12	0	194	4	3	7	0	14	3	234	1	4	242	23	3	10	4	40	490
11:30	7	200	14	0	221	3	2	2	0	7	8	223	3	5	239	22	2	5	5	34	501
11:45	4	200	13	0	217	0	1	3	0	4	10	208	2	0	220	16	5	10	0	31	472
Total	14	758	47	3	822	11	9	18	0	38	31	843	8	9	891	75	14	37	11	137	1888
12:00	7	189	19	0	215	6	5	4	1	16	9	241	4	4	258	22	2	8	3	35	524
12:15	2	189	11	5	207	6	6	8	0	20	12	222	3	0	237	20	2	10	0	32	496
12:30	4	196	22	2	224	3	5	3	2	13	10	237	2	1	250	29	1	5	3	38	525
12:45	5	219	13	1	238	10	5	2	0	17	14	228	6	1	249	29	4	8	1	42	546
Total	18	793	65	8	884	25	21	17	3	66	45	928	15	6	994	100	9	31	7	147	2091



MINNESOTA DEPT OF TRANSPORTATION

TRAFFIC DATA COLLECTION - METRO

File Name : T.H. 65 at 45th
 Site Code : 00000004
 Start Date : 7/30/2003
 Page No : 2

Groups Printed- Unshifted

Start Time	T.H. 65 Southbound					45th Ave. NE Westbound					T.H. 65 Northbound					45th Ave. NE Eastbound					Int. Total
	Left	Thru	Right	Peds	App. Total	Left	Thru	Right	Peds	App. Total	Left	Thru	Right	Peds	App. Total	Left	Thru	Right	Peds	App. Total	
15:00	6	205	13	3	227	3	3	1	3	10	14	239	5	0	258	12	8	7	3	30	525
15:15	3	196	13	2	214	3	5	4	3	15	15	246	5	4	270	8	6	7	6	27	526
15:30	0	176	14	6	196	1	1	6	2	10	19	258	3	0	280	20	4	8	2	34	520
15:45	4	201	14	3	222	8	7	5	9	29	9	287	1	0	297	22	4	10	1	37	585
Total	13	778	54	14	859	15	16	16	17	64	57	1030	14	4	1105	62	22	32	12	128	2156
16:00	5	187	17	0	209	3	5	6	0	14	14	267	3	3	287	36	7	16	1	60	570
16:15	3	206	15	0	224	7	2	5	0	14	12	304	4	7	327	15	9	10	0	34	599
16:30	3	203	17	1	224	9	13	4	0	26	12	299	6	0	317	19	6	8	2	35	602
16:45	4	221	17	1	243	4	7	7	2	20	13	325	5	0	343	23	12	3	2	40	646
Total	15	817	66	2	900	23	27	22	2	74	51	1195	18	10	1274	93	34	37	5	169	2417
17:00	2	191	9	2	204	5	8	3	1	17	10	303	1	0	314	20	10	11	3	44	579
17:15	10	225	7	4	246	2	6	2	1	11	16	286	5	0	307	24	7	7	3	41	605
17:30	6	179	11	0	196	4	4	3	0	11	21	301	2	0	324	21	4	13	10	48	579
17:45	1	208	13	4	226	5	7	3	2	17	15	289	2	0	306	27	3	10	0	40	589
Total	19	803	40	10	872	16	25	11	4	56	62	1179	10	0	1251	92	24	41	16	173	2352
Grand Total	98	6105	337	40	6580	122	132	128	35	417	264	6228	78	33	6603	498	128	229	60	915	14515
Apprch %	1.5	92.8	5.1	0.6		29.3	31.7	30.7	8.4		4	94.3	1.2	0.5		54.4	14	25	6.6		
Total %	0.7	42.1	2.3	0.3	45.3	0.8	0.9	0.9	0.2	2.9	1.8	42.9	0.5	0.2	45.5	3.4	0.9	1.6	0.4	6.3	

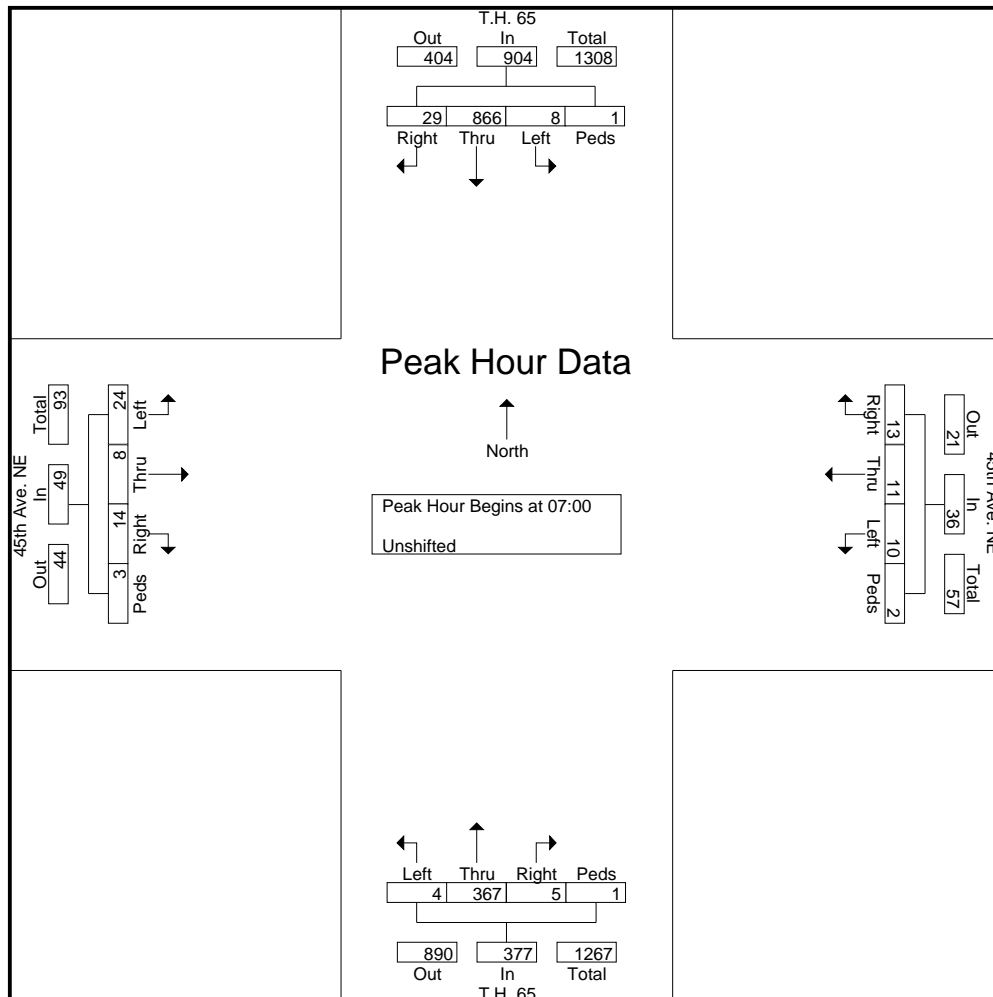


MINNESOTA DEPT OF TRANSPORTATION

TRAFFIC DATA COLLECTION - METRO

File Name : T.H. 65 at 45th
 Site Code : 00000004
 Start Date : 7/30/2003
 Page No : 3

Start Time	T.H. 65 Southbound					45th Ave. NE Westbound					T.H. 65 Northbound					45th Ave. NE Eastbound					Int. Total
	Left	Thru	Right	Peds	App. Total	Left	Thru	Right	Peds	App. Total	Left	Thru	Right	Peds	App. Total	Left	Thru	Right	Peds	App. Total	
Peak Hour Analysis From 06:00 to 09:45 - Peak 1 of 1																					
Peak Hour for Entire Intersection Begins at 07:00																					
07:00	0	240	2	0	242	3	4	4	1	12	1	73	3	1	78	10	3	2	0	15	347
07:15	2	227	13	1	243	3	4	3	0	10	0	83	0	0	83	2	3	6	2	13	349
07:30	3	179	7	0	189	1	2	4	1	8	1	102	2	0	105	5	0	3	1	9	311
07:45	3	220	7	0	230	3	1	2	0	6	2	109	0	0	111	7	2	3	0	12	359
Total Volume	8	866	29	1	904	10	11	13	2	36	4	367	5	1	377	24	8	14	3	49	1366
% App. Total	0.9	95.8	3.2	0.1		27.8	30.6	36.1	5.6		1.1	97.3	1.3	0.3		49	16.3	28.6	6.1		
PHF	.667	.902	.558	.250	.930	.833	.688	.813	.500	.750	.500	.842	.417	.250	.849	.600	.667	.583	.375	.817	.951



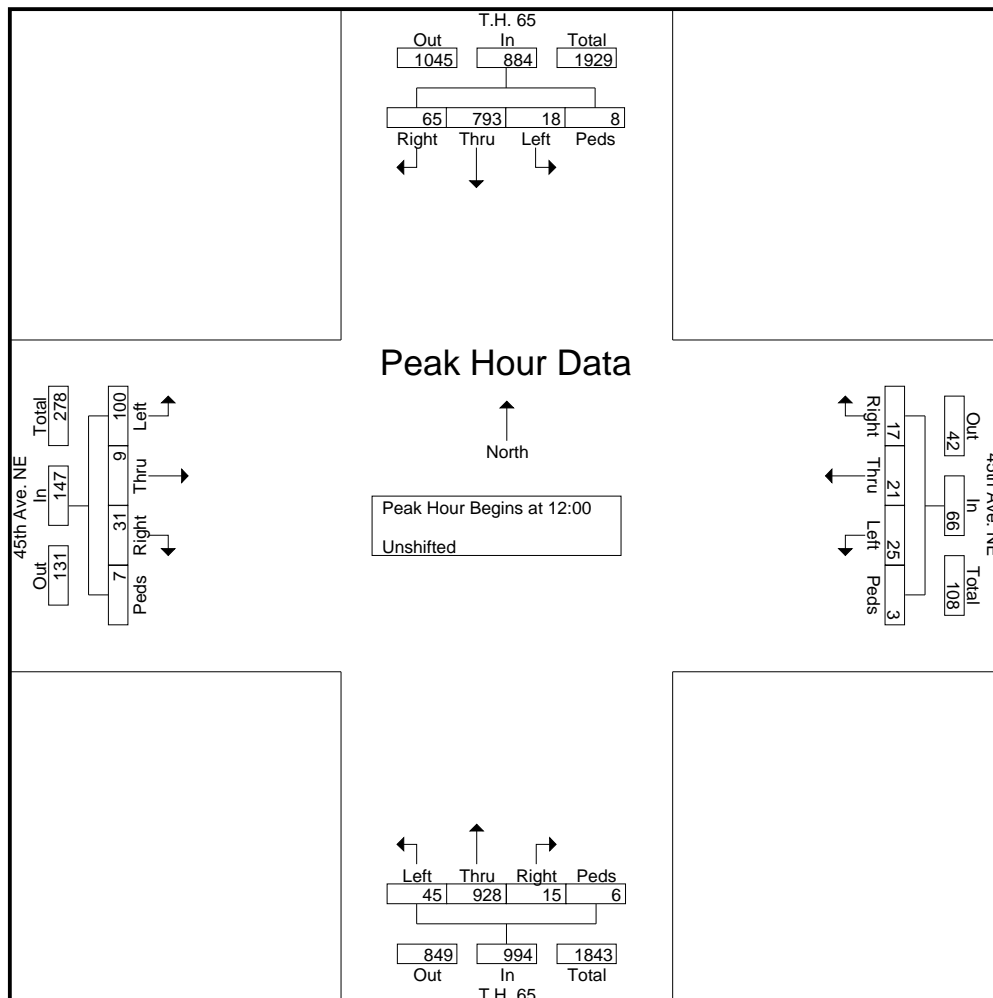


MINNESOTA DEPT OF TRANSPORTATION

TRAFFIC DATA COLLECTION - METRO

File Name : T.H. 65 at 45th
 Site Code : 00000004
 Start Date : 7/30/2003
 Page No : 4

Start Time	T.H. 65 Southbound					45th Ave. NE Westbound					T.H. 65 Northbound					45th Ave. NE Eastbound					Int. Total
	Left	Thru	Right	Peds	App. Total	Left	Thru	Right	Peds	App. Total	Left	Thru	Right	Peds	App. Total	Left	Thru	Right	Peds	App. Total	
Peak Hour Analysis From 10:00 to 13:45 - Peak 1 of 1																					
Peak Hour for Entire Intersection Begins at 12:00																					
12:00	7	189	19	0	215	6	5	4	1	16	9	241	4	4	258	22	2	8	3	35	524
12:15	2	189	11	5	207	6	6	8	0	20	12	222	3	0	237	20	2	10	0	32	496
12:30	4	196	22	2	224	3	5	3	2	13	10	237	2	1	250	29	1	5	3	38	525
12:45	5	219	13	1	238	10	5	2	0	17	14	228	6	1	249	29	4	8	1	42	546
Total Volume	18	793	65	8	884	25	21	17	3	66	45	928	15	6	994	100	9	31	7	147	2091
% App. Total	2	89.7	7.4	0.9		37.9	31.8	25.8	4.5		4.5	93.4	1.5	0.6		68	6.1	21.1	4.8		
PHF	.643	.905	.739	.400	.929	.625	.875	.531	.375	.825	.804	.963	.625	.375	.963	.862	.563	.775	.583	.875	.957





MINNESOTA DEPT OF TRANSPORTATION

TRAFFIC DATA COLLECTION - METRO

File Name : T.H. 65 at 45th
 Site Code : 00000004
 Start Date : 7/30/2003
 Page No : 5

Start Time	T.H. 65 Southbound					45th Ave. NE Westbound					T.H. 65 Northbound					45th Ave. NE Eastbound					Int. Total
	Left	Thru	Right	Peds	App. Total	Left	Thru	Right	Peds	App. Total	Left	Thru	Right	Peds	App. Total	Left	Thru	Right	Peds	App. Total	
Peak Hour Analysis From 14:00 to 17:45 - Peak 1 of 1																					
Peak Hour for Entire Intersection Begins at 16:30																					
16:30	3	203	17	1	224	9	13	4	0	26	12	299	6	0	317	19	6	8	2	35	602
16:45	4	221	17	1	243	4	7	7	2	20	13	325	5	0	343	23	12	3	2	40	646
17:00	2	191	9	2	204	5	8	3	1	17	10	303	1	0	314	20	10	11	3	44	579
17:15	10	225	7	4	246	2	6	2	1	11	16	286	5	0	307	24	7	7	3	41	605
Total Volume	19	840	50	8	917	20	34	16	4	74	51	1213	17	0	1281	86	35	29	10	160	2432
% App. Total	2.1	91.6	5.5	0.9		27	45.9	21.6	5.4		4	94.7	1.3	0		53.8	21.9	18.1	6.2		
PHF	.475	.933	.735	.500	.932	.556	.654	.571	.500	.712	.797	.933	.708	.000	.934	.896	.729	.659	.833	.909	.941

