

Location: TH 65 at 52nd Ave
 Count Date: 4/18/2017
 Counted By: JDA



TURNING MOVEMENT COUNT DATA
 All Vehicles

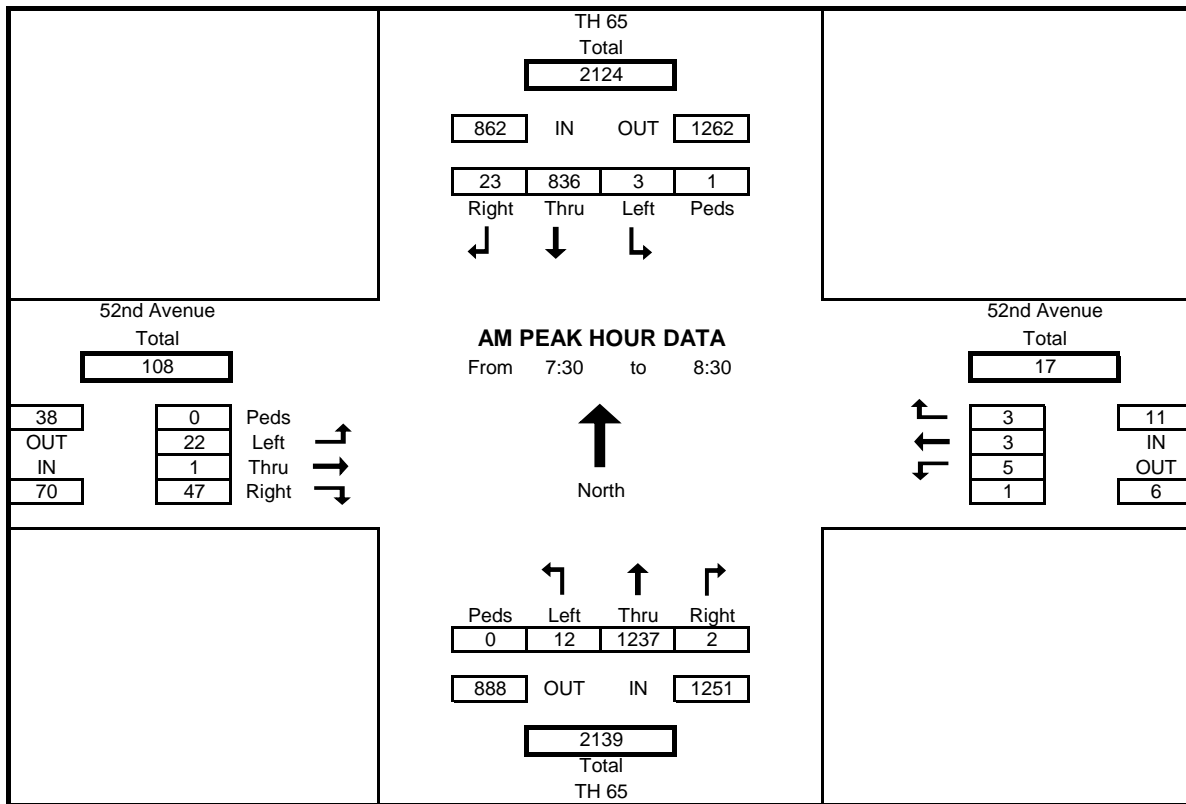
Start Time	TH 65				52nd Avenue				TH 65				52nd Avenue				Int. Total
	Southbound				Westbound				Northbound				Eastbound				
	Left	Thru	Right	Peds	Left	Thru	Right	Peds	Left	Thru	Right	Peds	Left	Thru	Right	Peds	
6:00	0	88	3	2	0	0	1	0	0	132	0	0	2	0	5	0	231
6:15	0	112	3	1	0	0	0	0	5	156	0	0	3	0	6	0	285
6:30	0	148	2	1	0	0	0	0	2	192	0	0	6	0	10	0	360
6:45	0	136	1	0	0	0	0	0	0	244	0	0	5	0	10	1	396
7:00	1	124	5	0	0	0	0	0	1	238	0	0	9	0	9	0	387
7:15	1	180	3	2	1	0	2	0	2	303	0	0	3	0	11	0	506
7:30	2	233	1	0	0	0	0	1	3	320	0	0	2	0	8	0	569
7:45	0	236	10	0	1	2	0	0	0	336	1	0	9	0	10	0	605
8:00	1	179	7	1	3	1	0	0	4	291	1	0	4	1	12	0	504
8:15	0	188	5	0	1	0	3	0	5	290	0	0	7	0	17	0	516
8:30	2	181	2	0	0	0	1	0	2	261	0	0	1	0	7	0	457
8:45	3	174	3	0	1	0	4	0	3	253	0	0	3	0	10	0	454
9:00	3	177	6	0	1	0	0	0	4	204	0	0	11	0	7	0	413
9:15	1	162	8	0	0	1	2	0	3	221	1	0	11	1	15	0	426
9:30	2	158	10	0	0	0	3	0	5	232	1	0	2	1	3	0	417
9:45	0	162	7	0	0	0	2	0	4	188	0	0	5	0	12	0	380
10:00	0	180	5	0	0	0	0	0	10	185	0	0	5	0	8	0	393
10:15	1	184	3	0	0	0	2	0	8	187	0	0	11	1	9	0	406
10:30	9	190	11	0	4	0	1	0	11	193	0	0	11	0	7	0	437
10:45	3	193	7	0	1	2	2	0	5	209	3	0	9	1	9	0	444
11:00	4	192	7	0	8	0	4	0	12	195	1	0	10	0	5	1	438
11:15	9	201	5	0	0	4	2	2	12	237	5	0	14	0	10	0	499
11:30	7	193	13	0	9	1	3	0	10	253	2	0	10	1	12	0	514
11:45	14	248	18	2	11	2	11	0	6	256	2	0	7	0	9	1	584
12:00	11	240	8	0	18	1	11	0	11	233	2	0	11	2	9	0	557
12:15	11	247	9	0	16	0	9	0	7	233	8	0	10	1	6	0	557
12:30	11	255	12	1	23	0	10	0	8	232	3	2	7	1	12	0	574
12:45	9	253	8	0	14	0	8	0	8	255	3	3	6	1	13	0	578
13:00	8	252	16	0	9	1	5	1	3	214	5	0	10	1	6	0	530
13:15	4	251	13	1	12	2	5	0	10	194	6	0	8	1	11	0	517
13:30	9	255	9	0	7	1	6	0	8	221	5	1	4	0	11	1	536
13:45	10	248	12	0	16	1	4	0	9	286	3	0	9	0	10	1	608
14:00	7	235	9	0	9	1	4	0	8	267	4	1	6	0	13	0	563
14:15	12	309	19	1	8	0	8	0	8	269	4	1	4	0	9	0	650
14:30	6	331	12	1	9	0	8	1	16	239	2	0	13	2	20	0	658
14:45	3	284	7	2	8	0	11	0	16	234	5	2	7	0	20	0	595
15:00	7	334	9	1	12	1	3	0	16	264	5	0	9	1	10	0	671
15:15	13	368	9	0	7	0	6	0	8	307	4	0	11	1	15	0	749
15:30	4	353	17	2	12	3	7	2	6	287	3	0	6	0	12	0	710
15:45	6	352	23	1	5	0	9	0	11	288	3	0	4	0	12	1	713
16:00	12	366	10	1	8	1	12	0	9	273	4	0	7	1	8	0	711
16:15	7	354	19	2	5	0	13	0	12	274	2	1	14	3	11	0	714
16:30	7	346	14	0	10	1	9	0	14	254	4	1	16	0	6	2	681
16:45	9	379	10	0	4	0	9	0	11	314	4	0	3	0	5	0	748
17:00	10	381	17	2	11	1	17	0	20	312	4	4	9	1	12	4	795
17:15	13	384	28	0	10	1	7	0	13	306	9	1	9	2	12	1	794
17:30	7	370	15	0	13	0	7	0	11	257	6	0	14	3	9	0	712
17:45	11	309	13	0	13	3	11	0	10	294	4	0	9	0	14	0	691
18:00	11	312	10	1	5	0	14	0	6	209	4	0	6	1	10	1	588
18:15	12	277	11	1	17	2	13	1	11	296	5	9	4	1	8	4	657
18:30	14	283	10	4	13	0	12	0	3	238	3	0	8	0	9	0	593
18:45	15	242	8	0	9	0	12	0	5	254	6	0	5	0	7	0	563
Total	322	12789	502	30	344	33	293	8	395	12880	137	26	389	29	521	18	28634
Cars+	318	12366	491	30	336	31	290	8	384	12491	137	26	380	29	507	18	27760
Trucks	4	423	11	0	8	2	3	0	11	389	0	0	9	0	14	0	874
% Trucks	1.3	3.4	2.2	0.0	2.4	6.5	1.0	0.0	2.9	3.1	0.0	0.0	2.4	0.0	2.8	0.0	3.1
	3.3				2.0				3.1				2.5				

Location: TH 65 at 52nd Ave
 Count Date: 4/18/2017
 Counted By: JDA



AM PEAK HOUR TURNING MOVEMENT DATA
 All Vehicles

Start Time	TH 65				52nd Avenue				TH 65				52nd Avenue				Int. Total
	Southbound				Westbound				Northbound				Eastbound				
	Left	Thru	Right	Peds	Left	Thru	Right	Peds	Left	Thru	Right	Peds	Left	Thru	Right	Peds	
7:30	2	233	1	0	0	0	0	1	3	320	0	0	2	0	8	0	569
7:45	0	236	10	0	1	2	0	0	0	336	1	0	9	0	10	0	605
8:00	1	179	7	1	3	1	0	0	4	291	1	0	4	1	12	0	504
8:15	0	188	5	0	1	0	3	0	5	290	0	0	7	0	17	0	516
Total	3	836	23	1	5	3	3	1	12	1237	2	0	22	1	47	0	2194
% App. Total	0.3	96.9	2.7	0.1	0.6	0.3	0.3	0.1	1.4	143.3	0.2	0.0	2.5	0.1	5.4	0.0	
PHF	0.375	0.886	0.575	0.250	0.417	0.375	0.250	0.250	0.600	0.920	0.500	0.000	0.611	0.250	0.691	0.000	0.907
% Trucks	0.0	6.5	9.5	0.0	0.0	200.0	50.0	0.0	9.1	3.8	0.0	0.0	4.8	0.0	2.2	0.0	5.0
		6.6				37.5			3.8				2.9				

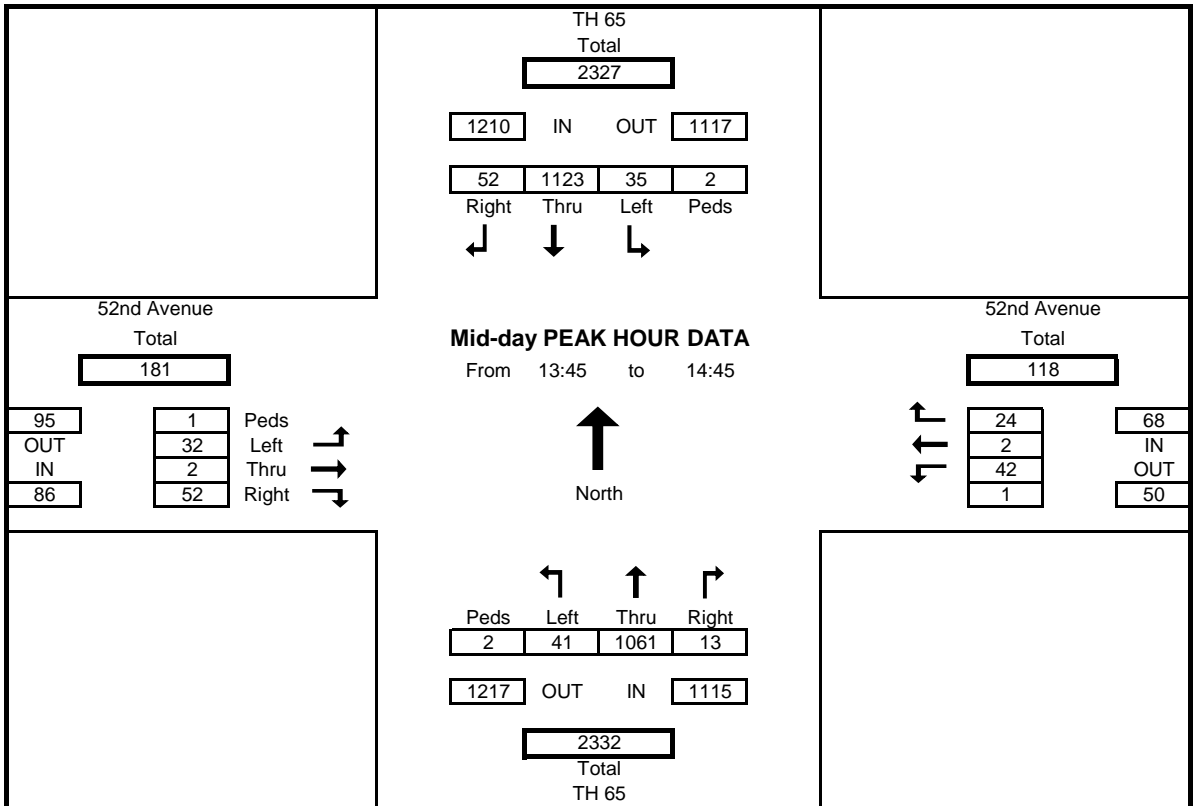


Location: TH 65 at 52nd Ave
 Count Date: 4/18/2017
 Counted By: JDA



Mid-Day PEAK HOUR TURNING MOVEMENT DATA
 All Vehicles

Start Time	TH 65				52nd Avenue				TH 65				52nd Avenue				Int. Total
	Southbound				Westbound				Northbound				Eastbound				
	Left	Thru	Right	Peds	Left	Thru	Right	Peds	Left	Thru	Right	Peds	Left	Thru	Right	Peds	
13:45	10	248	12	0	16	1	4	0	9	286	3	0	9	0	10	1	608
14:00	7	235	9	0	9	1	4	0	8	267	4	1	6	0	13	0	563
14:15	12	309	19	1	8	0	8	0	8	269	4	1	4	0	9	0	650
14:30	6	331	12	1	9	0	8	1	16	239	2	0	13	2	20	0	658
Total	35	1123	52	2	42	2	24	1	41	1061	13	2	32	2	52	1	2479
% App. Total	2.9	92.7	4.3	0.2	3.5	0.2	2.0	0.1	3.4	87.5	1.1	0.2	2.6	0.2	4.3	0.1	
PHF	0.729	0.848	0.684	0.500	0.656	0.500	0.750	0.250	0.641	0.927	0.813	0.500	0.615	0.250	0.650	0.250	0.942
% Trucks	6.1	3.7	0.0	0.0	7.7	0.0	0.0	0.0	2.5	4.6	0.0	0.0	6.7	0.0	0.0	0.0	4.0
	3.6				4.6				4.5				2.4				

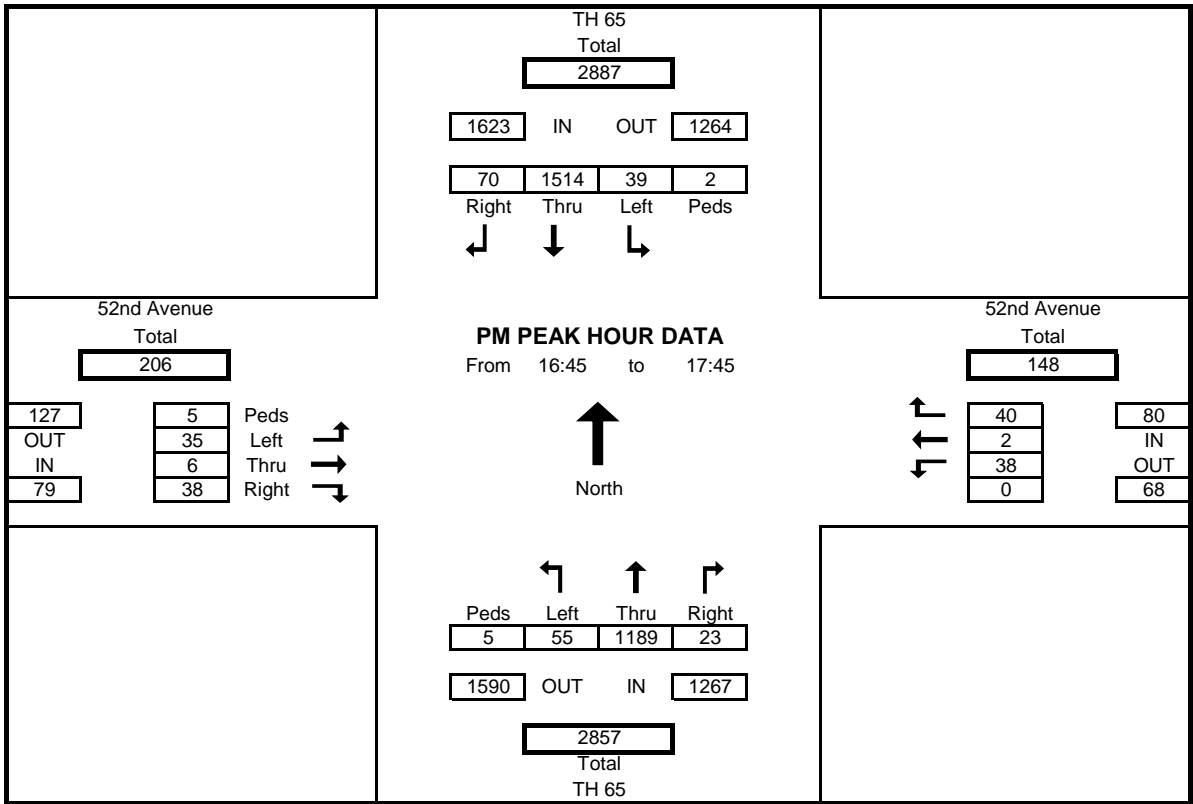


Location: TH 65 at 52nd Ave
 Count Date: 4/18/2017
 Counted By: JDA



AM PEAK HOUR TURNING MOVEMENT DATA
 All Vehicles

Start Time	TH 65				52nd Avenue				TH 65				52nd Avenue				Int. Total
	Southbound				Westbound				Northbound				Eastbound				
	Left	Thru	Right	Peds	Left	Thru	Right	Peds	Left	Thru	Right	Peds	Left	Thru	Right	Peds	
16:45	9	379	10	0	4	0	9	0	11	314	4	0	3	0	5	0	748
17:00	10	381	17	2	11	1	17	0	20	312	4	4	9	1	12	4	795
17:15	13	384	28	0	10	1	7	0	13	306	9	1	9	2	12	1	794
17:30	7	370	15	0	13	0	7	0	11	257	6	0	14	3	9	0	712
Total	39	1514	70	2	38	2	40	0	55	1189	23	5	35	6	38	5	3049
% App. Total	2.4	93.2	4.3	0.1	2.3	0.1	2.5	0.0	3.4	73.2	1.4	0.3	2.2	0.4	2.3	0.3	
PHF	0.750	0.986	0.625	0.250	0.731	0.500	0.588	0.000	0.688	0.947	0.639	0.313	0.625	0.500	0.792	0.313	0.959
% Trucks	2.6	2.0	1.4	0.0	0.0	0.0	0.0	0.0	3.8	1.4	0.0	0.0	0.0	0.0	2.7	0.0	1.7
	2.0				0.0				1.4				1.3				



Location: TH 65 at 52nd Ave
 Count Date: 4/18/2017
 Counted By: JDA



TURNING MOVEMENT COUNT DATA

Cars+

Start Time	TH 65				52nd Avenue				TH 65				52nd Avenue				Int. Total
	Southbound				Westbound				Northbound				Eastbound				
	Left	Thru	Right	Peds	Left	Thru	Right	Peds	Left	Thru	Right	Peds	Left	Thru	Right	Peds	
6:00	0	85	3	2	0	0	1	0	0	121	0	0	2	0	5	0	217
6:15	0	104	3	1	0	0	0	0	4	149	0	0	3	0	6	0	269
6:30	0	141	1	1	0	0	0	0	1	182	0	0	5	0	10	0	340
6:45	0	133	1	0	0	0	0	0	0	229	0	0	4	0	10	1	377
7:00	1	120	4	0	0	0	0	0	1	225	0	0	8	0	8	0	367
7:15	1	172	2	2	0	0	2	0	2	295	0	0	3	0	11	0	488
7:30	2	224	1	0	0	0	0	1	3	307	0	0	2	0	8	0	547
7:45	0	222	9	0	1	0	0	0	0	327	1	0	8	0	10	0	578
8:00	1	164	6	1	3	1	0	0	4	281	1	0	4	1	11	0	477
8:15	0	175	5	0	1	0	2	0	4	277	0	0	7	0	17	0	488
8:30	2	173	2	0	0	0	1	0	2	251	0	0	1	0	7	0	439
8:45	3	168	3	0	1	0	4	0	3	250	0	0	3	0	9	0	444
9:00	3	165	6	0	0	0	0	0	3	196	0	0	10	0	6	0	389
9:15	1	155	8	0	0	1	2	0	3	215	1	0	10	1	15	0	412
9:30	2	151	9	0	0	0	3	0	5	216	1	0	2	1	3	0	393
9:45	0	147	6	0	0	0	2	0	4	181	0	0	5	0	11	0	356
10:00	0	169	5	0	0	0	0	0	9	177	0	0	5	0	8	0	373
10:15	1	172	3	0	0	0	2	0	8	179	0	0	11	1	8	0	385
10:30	9	180	11	0	4	0	1	0	11	186	0	0	11	0	7	0	420
10:45	3	181	7	0	1	2	2	0	5	202	3	0	8	1	7	0	422
11:00	4	183	6	0	8	0	4	0	12	182	1	0	10	0	5	1	415
11:15	9	191	5	0	0	4	2	2	11	228	5	0	14	0	10	0	479
11:30	7	185	13	0	9	1	3	0	10	247	2	0	10	1	12	0	500
11:45	14	243	18	2	11	2	11	0	6	246	2	0	7	0	9	1	569
12:00	11	232	8	0	18	1	11	0	11	229	2	0	11	2	9	0	545
12:15	11	241	9	0	16	0	9	0	7	226	8	0	10	1	6	0	544
12:30	11	252	12	1	23	0	10	0	8	225	3	2	7	1	12	0	564
12:45	9	248	8	0	14	0	7	0	8	246	3	3	6	1	13	0	563
13:00	8	244	16	0	8	1	5	1	3	207	5	0	10	1	6	0	514
13:15	4	248	13	1	12	2	5	0	9	183	6	0	8	1	11	0	502
13:30	9	246	9	0	6	1	6	0	8	214	5	1	4	0	11	1	519
13:45	9	242	12	0	16	1	4	0	8	268	3	0	8	0	10	1	581
14:00	7	226	9	0	9	1	4	0	8	253	4	1	6	0	13	0	540
14:15	11	301	19	1	7	0	8	0	8	263	4	1	4	0	9	0	634
14:30	6	314	12	1	7	0	8	1	16	230	2	0	12	2	20	0	629
14:45	3	278	7	2	8	0	11	0	15	227	5	2	7	0	17	0	578
15:00	7	324	9	1	12	1	3	0	16	258	5	0	9	1	10	0	655
15:15	13	357	9	0	7	0	6	0	8	302	4	0	11	1	14	0	732
15:30	4	345	16	2	12	3	7	2	6	284	3	0	6	0	12	0	698
15:45	6	335	23	1	5	0	9	0	11	283	3	0	4	0	12	1	691
16:00	12	362	10	1	8	1	12	0	9	272	4	0	7	1	7	0	705
16:15	7	349	19	2	5	0	13	0	12	270	2	1	14	3	11	0	705
16:30	6	338	13	0	10	1	9	0	14	251	4	1	16	0	6	2	668
16:45	9	373	10	0	4	0	9	0	9	310	4	0	3	0	5	0	736
17:00	10	372	17	2	11	1	17	0	20	308	4	4	9	1	11	4	781
17:15	13	377	28	0	10	1	7	0	13	302	9	1	9	2	12	1	783
17:30	6	362	14	0	13	0	7	0	11	253	6	0	14	3	9	0	698
17:45	11	301	13	0	13	3	10	0	10	290	4	0	9	0	14	0	678
18:00	11	306	10	1	4	0	14	0	6	206	4	0	6	1	10	1	578
18:15	12	272	11	1	17	2	13	1	11	294	5	9	4	1	8	4	650
18:30	14	280	10	4	13	0	12	0	3	236	3	0	8	0	9	0	588
18:45	15	238	8	0	9	0	12	0	5	252	6	0	5	0	7	0	557
Total	318	12366	491	30	336	31	290	8	384	12491	137	26	380	29	507	18	27760
Cars+	318	12366	491	30	336	31	290	8	384	12491	137	26	380	29	507	18	27760
Trucks	4	423	11	0	8	2	3	0	11	389	0	0	9	0	14	0	874
% Trucks	1.3	3.4	2.2	0.0	2.4	6.5	1.0	0.0	2.9	3.1	0.0	0.0	2.4	0.0	2.8	0.0	3.1
	3.3				2.0				3.1				2.5				

Location: TH 65 at 52nd Ave
 Count Date: 4/18/2017
 Counted By: JDA



TURNING MOVEMENT COUNT DATA
Heavy Vehicles

Start Time	TH 65				52nd Avenue				TH 65				52nd Avenue				Int. Total	
	Southbound				Westbound				Northbound				Eastbound					
	Left	Thru	Right	Bikes	Left	Thru	Right	Bikes	Left	Thru	Right	Bikes	Left	Thru	Right	Bikes		
6:00	0	3	0	0	0	0	0	0	0	11	0	0	0	0	0	0	0	14
6:15	0	8	0	0	0	0	0	0	1	7	0	0	0	0	0	0	0	16
6:30	0	7	1	0	0	0	0	0	1	10	0	0	1	0	0	0	0	20
6:45	0	3	0	0	0	0	0	0	0	15	0	0	1	0	0	0	0	19
7:00	0	4	1	0	0	0	0	0	0	13	0	0	1	0	1	0	0	20
7:15	0	8	1	0	1	0	0	0	0	8	0	0	0	0	0	0	0	18
7:30	0	9	0	0	0	0	0	0	0	13	0	0	0	0	0	0	0	22
7:45	0	14	1	0	0	2	0	0	0	9	0	0	1	0	0	0	0	27
8:00	0	15	1	0	0	0	0	0	0	10	0	0	0	0	1	0	0	27
8:15	0	13	0	0	0	0	1	0	1	13	0	0	0	0	0	0	0	28
8:30	0	8	0	0	0	0	0	0	0	10	0	0	0	0	0	0	0	18
8:45	0	6	0	0	0	0	0	0	0	3	0	0	0	0	1	0	0	10
9:00	0	12	0	0	1	0	0	0	1	8	0	0	1	0	1	0	0	24
9:15	0	7	0	0	0	0	0	0	0	6	0	0	1	0	0	0	0	14
9:30	0	7	1	0	0	0	0	0	0	16	0	0	0	0	0	0	0	24
9:45	0	15	1	0	0	0	0	0	0	7	0	0	0	0	1	0	0	24
10:00	0	11	0	0	0	0	0	0	1	8	0	0	0	0	0	0	0	20
10:15	0	12	0	0	0	0	0	0	0	8	0	0	0	0	1	0	0	21
10:30	0	10	0	0	0	0	0	0	0	7	0	0	0	0	0	0	0	17
10:45	0	12	0	0	0	0	0	0	0	7	0	0	1	0	2	0	0	22
11:00	0	9	1	0	0	0	0	0	0	13	0	0	0	0	0	0	0	23
11:15	0	10	0	0	0	0	0	0	1	9	0	0	0	0	0	0	0	20
11:30	0	8	0	0	0	0	0	0	0	6	0	0	0	0	0	0	0	14
11:45	0	5	0	0	0	0	0	0	0	10	0	0	0	0	0	0	0	15
12:00	0	8	0	0	0	0	0	0	0	4	0	0	0	0	0	0	0	12
12:15	0	6	0	0	0	0	0	0	0	7	0	0	0	0	0	0	0	13
12:30	0	3	0	0	0	0	0	0	0	7	0	0	0	0	0	0	0	10
12:45	0	5	0	0	0	0	1	0	0	9	0	0	0	0	0	0	0	15
13:00	0	8	0	0	1	0	0	0	0	7	0	0	0	0	0	0	0	16
13:15	0	3	0	0	0	0	0	0	1	11	0	0	0	0	0	0	0	15
13:30	0	9	0	0	1	0	0	0	0	7	0	0	0	0	0	0	0	17
13:45	1	6	0	0	0	0	0	0	1	18	0	0	1	0	0	0	0	27
14:00	0	9	0	0	0	0	0	0	0	14	0	0	0	0	0	0	0	23
14:15	1	8	0	0	1	0	0	0	0	6	0	0	0	0	0	0	0	16
14:30	0	17	0	0	2	0	0	0	0	9	0	0	1	0	0	0	0	29
14:45	0	6	0	0	0	0	0	0	1	7	0	0	0	0	3	0	0	17
15:00	0	10	0	0	0	0	0	0	0	6	0	0	0	0	0	0	0	16
15:15	0	11	0	0	0	0	0	0	0	5	0	0	0	0	1	0	0	17
15:30	0	8	1	0	0	0	0	0	0	3	0	0	0	0	0	0	0	12
15:45	0	17	0	0	0	0	0	0	0	5	0	0	0	0	0	0	0	22
16:00	0	4	0	0	0	0	0	0	0	1	0	0	0	0	1	0	0	6
16:15	0	5	0	0	0	0	0	0	0	4	0	0	0	0	0	0	0	9
16:30	1	8	1	0	0	0	0	0	0	3	0	0	0	0	0	0	0	13
16:45	0	6	0	0	0	0	0	0	2	4	0	0	0	0	0	0	0	12
17:00	0	9	0	0	0	0	0	0	0	4	0	0	0	0	1	0	0	14
17:15	0	7	0	0	0	0	0	0	0	4	0	0	0	0	0	0	0	11
17:30	1	8	1	0	0	0	0	0	0	4	0	0	0	0	0	0	0	14
17:45	0	8	0	0	0	0	1	0	0	4	0	0	0	0	0	0	0	13
18:00	0	6	0	0	1	0	0	0	0	3	0	0	0	0	0	0	0	10
18:15	0	5	0	0	0	0	0	0	0	2	0	0	0	0	0	0	0	7
18:30	0	3	0	0	0	0	0	0	0	2	0	0	0	0	0	0	0	5
18:45	0	4	0	0	0	0	0	0	0	2	0	0	0	0	0	0	0	6
Total	4	423	11	0	8	2	3	0	11	389	0	0	9	0	14	0	0	874
Cars+	318	12366	491	30	336	31	290	8	384	12491	137	26	380	29	507	18	0	27760
Trucks	4	423	11	0	8	2	3	0	11	389	0	0	9	0	14	0	0	874
% Trucks	1.3	3.4	2.2	0.0	2.4	6.5	1.0	0.0	2.9	3.1	0.0	0.0	2.4	0.0	2.8	0.0	0.0	3.1
		3.3				2.0				3.1				2.5				3.1