



MINNESOTA DEPT OF TRANSPORTATION

TRAFFIC DATA COLLECTION - METRO

TH-65 / Central Ave at 53rd Ave NE

Ref.Pt.: 006.130

JAMAR # 631/632/D4-3365 RE/DR/CH

TURN MOVEMENT COUNT

File Name : TH-65 at 53rd Ave NE 2009

Site Code : 00000000

Start Date : 4/29/2009

Page No : 1

Groups Printed- Cars & Trucks

Start Time	TH-65 / Central Ave Southbound				53rd Ave NE Westbound				TH-65 / Central Ave Northbound				53rd Ave NE Eastbound				Int. Total
	Left	Thru	Right	Peds	Left	Thru	Right	Peds	Left	Thru	Right	Peds	Left	Thru	Right	Peds	
06:00	10	117	21	0	2	3	17	0	2	68	1	1	13	2	5	0	262
06:15	8	173	30	0	3	3	12	0	2	132	2	1	17	2	3	1	389
06:30	13	221	19	0	4	3	24	0	6	155	3	0	12	3	2	1	466
06:45	7	198	30	0	8	4	12	0	5	140	4	0	11	1	10	0	430
Total	38	709	100	0	17	13	65	0	15	495	10	2	53	8	20	2	1547
07:00	10	221	35	0	3	6	7	0	6	133	3	0	23	1	10	1	459
07:15	9	249	37	0	7	6	25	0	7	183	4	0	23	3	14	1	568
07:30	14	273	41	0	3	0	19	0	10	219	5	1	29	5	11	4	634
07:45	21	283	58	0	11	10	33	0	24	222	10	0	20	3	17	4	716
Total	54	1026	171	0	24	22	84	0	47	757	22	1	95	12	52	10	2377
08:00	24	200	52	0	9	11	37	0	22	176	10	0	24	9	15	0	589
08:15	21	198	55	0	6	3	32	0	14	172	3	1	21	7	26	0	559
08:30	30	171	41	0	12	13	27	0	22	152	15	0	48	6	27	0	564
08:45	30	170	38	0	9	10	26	0	19	179	7	0	41	9	33	0	571
Total	105	739	186	0	36	37	122	0	77	679	35	1	134	31	101	0	2283
10:45	45	201	47	0	15	11	34	0	29	173	16	0	42	9	40	0	662
Total	45	201	47	0	15	11	34	0	29	173	16	0	42	9	40	0	662
11:00	44	217	57	0	22	9	44	0	20	172	16	1	58	24	49	0	733
11:15	50	226	60	0	15	12	44	1	40	214	15	0	44	10	40	0	771
11:30	60	201	58	0	29	10	40	1	27	201	17	0	44	15	36	0	739
11:45	63	247	78	1	16	13	39	3	28	194	20	0	53	15	46	2	818
Total	217	891	253	1	82	44	167	5	115	781	68	1	199	64	171	2	3061
12:00	48	240	57	0	17	15	46	4	26	220	19	2	62	17	42	1	816
12:15	41	225	70	0	18	13	39	1	15	249	31	0	60	8	35	2	807
12:30	46	229	68	1	21	18	39	6	39	240	24	0	44	18	35	0	828
12:45	40	222	77	4	19	11	50	6	41	262	12	0	65	9	37	0	855
Total	175	916	272	5	75	57	174	17	121	971	86	2	231	52	149	3	3306
15:00	39	239	71	0	18	10	63	1	33	294	18	1	77	13	34	1	912
15:15	51	244	77	0	10	11	50	1	29	336	19	0	86	8	48	4	974
15:30	27	230	70	2	11	11	39	0	36	325	12	0	93	14	48	0	918
15:45	51	258	79	1	13	14	37	1	35	344	17	1	63	15	48	0	977
Total	168	971	297	3	52	46	189	3	133	1299	66	2	319	50	178	5	3781
16:00	43	244	75	0	15	11	36	3	28	313	13	2	73	24	48	4	932
16:15	33	204	86	0	17	16	37	4	50	376	23	0	83	16	46	1	992
16:30	35	241	60	2	19	13	42	2	25	338	22	0	97	13	51	0	960
16:45	53	243	107	2	18	17	33	2	38	345	23	3	54	20	62	0	1020
Total	164	932	328	4	69	57	148	11	141	1372	81	5	307	73	207	5	3904
17:00	41	265	54	0	14	13	39	0	39	300	20	1	90	10	57	1	944
17:15	45	219	92	3	17	19	41	0	50	327	22	1	72	19	37	0	964
17:30	33	238	83	3	20	8	26	2	37	351	19	0	64	16	59	1	960
17:45	47	228	83	1	9	7	21	0	52	270	24	0	86	18	43	0	889
Total	166	950	312	7	60	47	127	2	178	1248	85	2	312	63	196	2	3757



MINNESOTA DEPT OF TRANSPORTATION

TRAFFIC DATA COLLECTION - METRO

TH-65 / Central Ave at 53rd Ave NE
 Ref.Pt.: 006.130
 JAMAR # 631/632/D4-3365 RE/DR/CH
 TURN MOVEMENT COUNT

File Name : TH-65 at 53rd Ave NE 2009
 Site Code : 00000000
 Start Date : 4/29/2009
 Page No : 2

Groups Printed- Cars & Trucks

	TH-65 / Central Ave Southbound				53rd Ave NE Westbound				TH-65 / Central Ave Northbound				53rd Ave NE Eastbound				Int. Total
	Left	Thru	Right	Peds	Left	Thru	Right	Peds	Left	Thru	Right	Peds	Left	Thru	Right	Peds	
Grand Total	1132	7335	1966	20	430	334	1110	38	856	7775	469	16	1692	362	1114	29	24678
Apprch %	10.8	70.2	18.8	0.2	22.5	17.5	58.1	2	9.4	85.3	5.1	0.2	52.9	11.3	34.8	0.9	
Total %	4.6	29.7	8	0.1	1.7	1.4	4.5	0.2	3.5	31.5	1.9	0.1	6.9	1.5	4.5	0.1	



MINNESOTA DEPT OF TRANSPORTATION

TRAFFIC DATA COLLECTION - METRO

TH-65 / Central Ave at 53rd Ave NE

Ref.Pt.: 006.130

JAMAR # 631/632/D4-3365 RE/DR/CH

TURN MOVEMENT COUNT

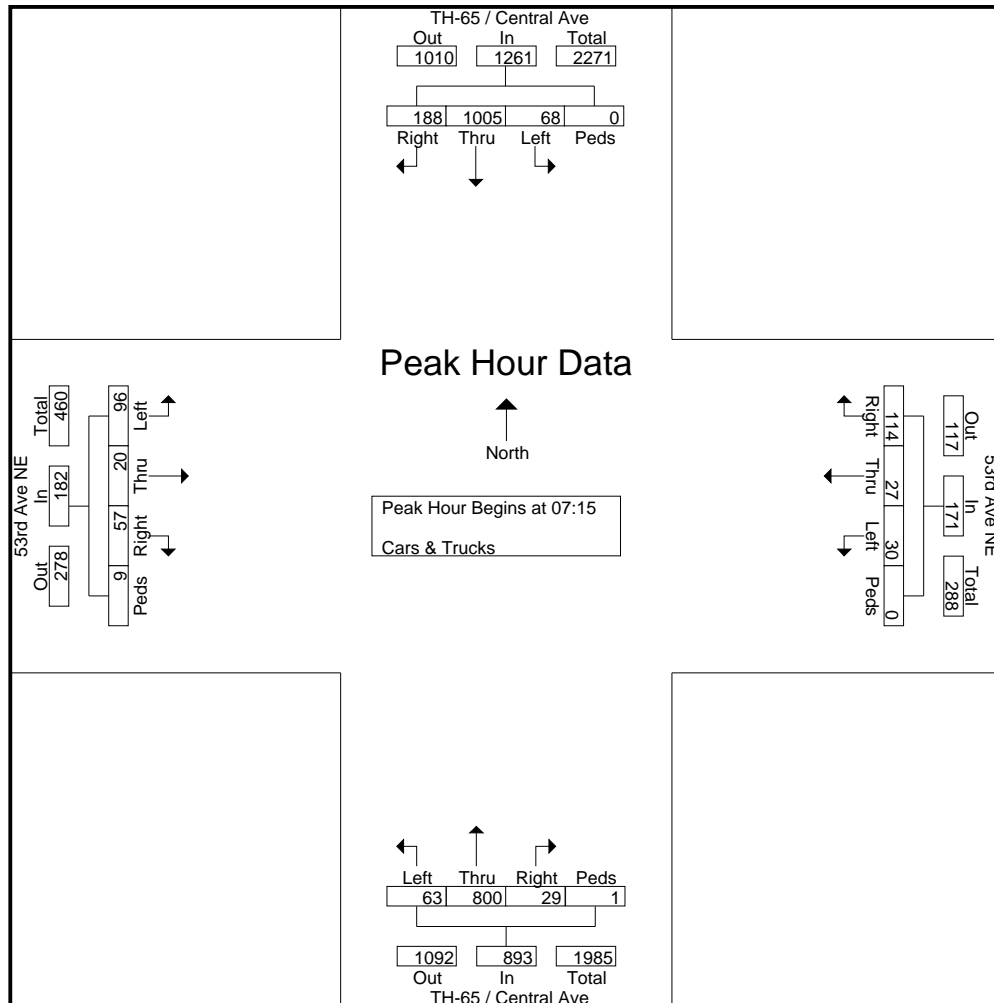
File Name : TH-65 at 53rd Ave NE 2009

Site Code : 00000000

Start Date : 4/29/2009

Page No : 3

Start Time	TH-65 / Central Ave Southbound					53rd Ave NE Westbound					TH-65 / Central Ave Northbound					53rd Ave NE Eastbound					Int. Total
	Left	Thru	Right	Peds	App. Total	Left	Thru	Right	Peds	App. Total	Left	Thru	Right	Peds	App. Total	Left	Thru	Right	Peds	App. Total	
Peak Hour Analysis From 06:00 to 08:45 - Peak 1 of 1																					
Peak Hour for Entire Intersection Begins at 07:15																					
07:15	9	249	37	0	295	7	6	25	0	38	7	183	4	0	194	23	3	14	1	41	568
07:30	14	273	41	0	328	3	0	19	0	22	10	219	5	1	235	29	5	11	4	49	634
07:45	21	283	58	0	362	11	10	33	0	54	24	222	10	0	256	20	3	17	4	44	716
08:00	24	200	52	0	276	9	11	37	0	57	22	176	10	0	208	24	9	15	0	48	589
Total Volume	68	1005	188	0	1261	30	27	114	0	171	63	800	29	1	893	96	20	57	9	182	2507
% App. Total	5.4	79.7	14.9	0		17.5	15.8	66.7	0		7.1	89.6	3.2	0.1		52.7	11	31.3	4.9		
PHF	.708	.888	.810	.000	.871	.682	.614	.770	.000	.750	.656	.901	.725	.250	.872	.828	.556	.838	.563	.929	.875





MINNESOTA DEPT OF TRANSPORTATION

TRAFFIC DATA COLLECTION - METRO

TH-65 / Central Ave at 53rd Ave NE

File Name : TH-65 at 53rd Ave NE 2009

Ref.Pt.: 006.130

Site Code : 00000000

JAMAR # 631/632/D4-3365 RE/DR/CH

Start Date : 4/29/2009

TURN MOVEMENT COUNT

Page No : 4

Start Time	TH-65 / Central Ave Southbound					53rd Ave NE Westbound					TH-65 / Central Ave Northbound					53rd Ave NE Eastbound					Int. Total
	Left	Thru	Right	Peds	App. Total	Left	Thru	Right	Peds	App. Total	Left	Thru	Right	Peds	App. Total	Left	Thru	Right	Peds	App. Total	

Peak Hour Analysis From 15:00 to 17:45 - Peak 1 of 1

Peak Hour for Entire Intersection Begins at 16:15

16:15	33	204	86	0	323	17	16	37	4	74	50	376	23	0	449	83	16	46	1	146	992
16:30	35	241	60	2	338	19	13	42	2	76	25	338	22	0	385	97	13	51	0	161	960
16:45	53	243	107	2	405	18	17	33	2	70	38	345	23	3	409	54	20	62	0	136	1020
17:00	41	265	54	0	360	14	13	39	0	66	39	300	20	1	360	90	10	57	1	158	944
Total Volume	162	953	307	4	1426	68	59	151	8	286	152	1359	88	4	1603	324	59	216	2	601	3916
% App. Total	11.4	66.8	21.5	0.3		23.8	20.6	52.8	2.8		9.5	84.8	5.5	0.2		53.9	9.8	35.9	0.3		
PHF	.764	.899	.717	.500	.880	.895	.868	.899	.500	.941	.760	.904	.957	.333	.893	.835	.738	.871	.500	.933	.960

