

Location: TH 65 at Medtronic Parkway/Central Avenue
 Count Date: 4/27/2017
 Counted By: JDA



TURNING MOVEMENT COUNT DATA
 All Vehicles

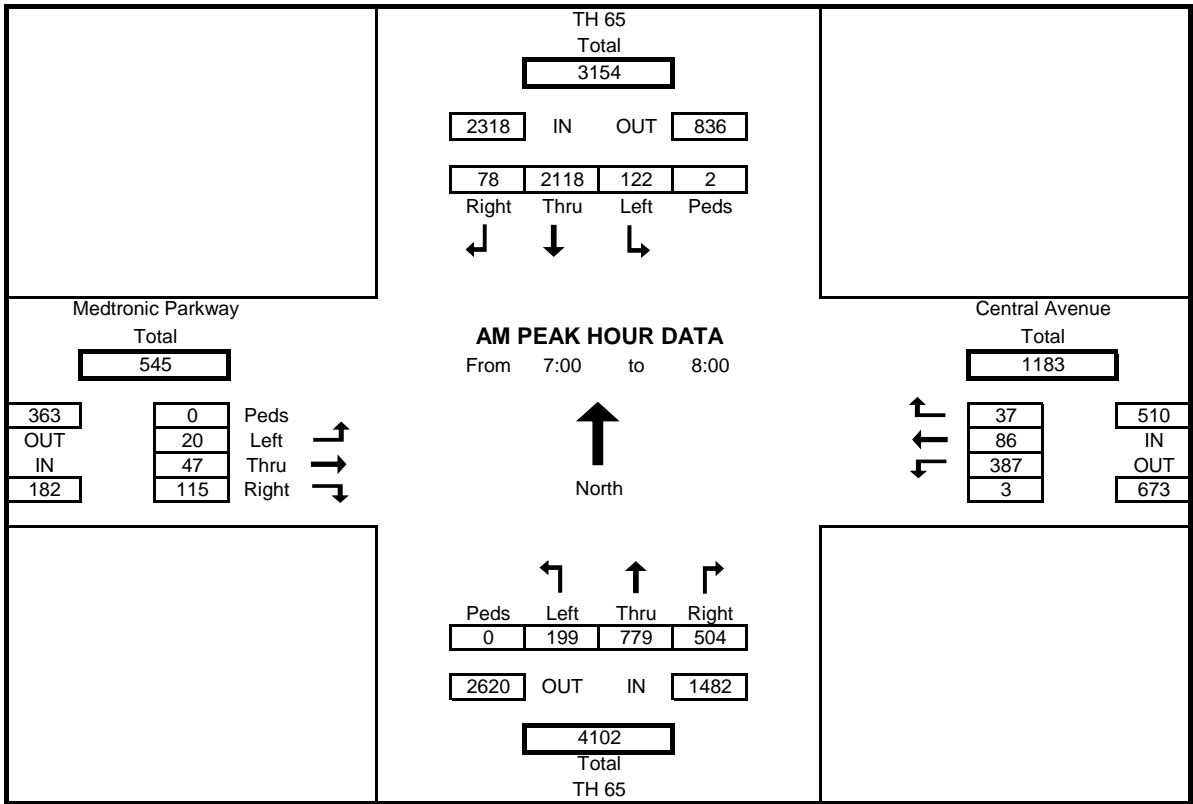
Start Time	TH 65				Central Avenue				TH 65				Medtronic Parkway				Int. Total
	Southbound				Westbound				Northbound				Eastbound				
	Left	Thru	Right	Peds	Left	Thru	Right	Peds	Left	Thru	Right	Peds	Left	Thru	Right	Peds	
6:00	2	340	0	1	36	0	2	0	8	90	20	0	0	2	9	0	509
6:15	4	419	7	0	58	5	9	0	7	112	36	0	1	4	13	0	675
6:30	5	530	7	0	62	8	11	0	14	133	64	0	5	6	17	0	862
6:45	25	435	8	2	46	12	12	1	20	164	65	1	9	3	18	0	817
7:00	49	585	10	0	93	13	6	0	34	166	133	0	5	7	14	0	1115
7:15	37	507	18	2	86	19	8	0	38	166	152	0	3	12	30	0	1076
7:30	16	535	25	0	109	22	6	3	70	211	86	0	2	9	33	0	1124
7:45	20	491	25	0	99	32	17	0	57	236	133	0	10	19	38	0	1177
8:00	22	396	22	0	75	17	8	0	46	207	95	0	6	5	38	0	937
8:15	12	395	29	0	95	7	10	0	59	186	98	0	6	4	19	0	920
8:30	12	292	13	0	67	9	10	0	35	159	79	0	3	0	17	0	696
8:45	9	288	13	0	73	9	13	0	47	240	82	0	4	3	10	0	791
9:00	6	237	2	0	63	7	14	0	38	180	65	0	5	1	13	0	631
9:15	7	248	5	0	62	9	5	0	13	181	54	0	2	4	17	0	607
9:30	17	232	6	0	63	4	7	0	12	204	50	0	2	4	13	0	614
9:45	12	204	2	0	37	3	10	0	11	220	66	0	1	4	6	0	576
10:00	7	190	3	1	63	4	5	0	9	188	48	0	8	1	14	0	540
10:15	9	206	9	1	61	6	10	0	10	178	45	0	1	2	12	0	549
10:30	7	222	3	0	60	5	2	0	9	167	41	0	1	6	8	0	531
10:45	3	210	5	0	43	5	6	0	17	205	53	0	1	5	23	0	576
11:00	7	246	2	0	76	5	11	0	13	197	61	0	4	8	18	0	648
11:15	3	250	7	0	61	6	5	0	8	194	74	0	6	6	17	0	637
11:30	12	219	3	0	80	11	9	0	9	241	65	0	8	8	28	0	693
11:45	9	217	4	0	74	6	10	0	15	268	62	0	11	12	12	0	700
12:00	6	260	10	0	62	5	14	0	5	244	56	0	4	10	21	0	697
12:15	6	236	9	0	65	5	12	0	18	212	68	0	5	5	13	0	654
12:30	7	230	5	0	73	6	9	0	21	244	75	0	2	5	33	0	710
12:45	4	236	6	0	51	10	12	0	28	247	71	0	3	9	11	0	688
13:00	6	217	7	0	60	11	3	0	19	254	51	0	3	5	24	0	660
13:15	4	238	3	0	54	8	8	0	13	243	73	0	11	7	22	0	684
13:30	10	226	4	0	72	10	13	0	12	239	65	0	3	7	23	0	684
13:45	13	245	10	0	66	5	19	0	6	238	79	0	3	9	24	0	717
14:00	16	239	3	0	70	8	8	0	7	261	108	0	8	13	31	0	772
14:15	14	223	4	0	93	9	15	0	12	289	113	0	4	9	28	0	813
14:30	15	263	6	0	104	8	12	0	14	319	82	0	7	9	20	0	859
14:45	9	213	11	0	83	11	13	0	23	335	89	0	6	8	31	0	832
15:00	13	287	5	1	96	9	10	1	27	342	104	0	11	36	82	0	1022
15:15	15	247	5	0	111	8	18	0	13	345	122	0	11	15	55	0	965
15:30	7	253	3	0	97	11	26	0	18	438	109	0	5	10	53	0	1030
15:45	15	245	6	0	84	7	18	0	24	401	108	0	10	14	53	1	985
16:00	20	264	8	0	95	4	9	0	19	512	138	0	19	18	69	0	1175
16:15	11	244	6	2	109	8	16	0	23	492	158	0	10	11	68	0	1156
16:30	14	245	7	0	118	13	8	0	19	496	153	0	23	24	67	0	1187
16:45	15	212	5	0	136	16	15	0	22	527	140	4	21	20	64	0	1193
17:00	8	263	16	0	81	1	12	0	18	541	130	0	14	20	78	0	1182
17:15	6	247	4	0	123	7	11	0	15	491	125	0	9	13	61	0	1112
17:30	6	217	8	0	81	11	11	1	34	476	104	0	11	9	50	0	1018
17:45	9	184	7	0	71	10	16	0	29	441	101	0	7	22	67	0	964
18:00	15	274	4	0	66	6	17	0	24	355	159	0	6	7	60	0	993
18:15	16	230	6	0	75	5	11	0	21	350	121	0	3	7	36	0	881
18:30	10	234	5	0	97	10	28	0	14	330	85	1	2	9	35	0	859
18:45	12	187	5	0	73	4	11	0	26	316	92	0	5	8	22	0	761
Total	614	14553	406	10	4008	450	581	6	1123	14471	4606	6	330	474	1638	1	43254
Cars+	595	14090	402	9	3890	430	572	6	1105	13928	4454	5	321	455	1613	0	41855
Trucks	19	463	4	1	118	20	9	0	18	543	152	1	9	19	25	1	1399
% Trucks	3.2	3.3	1.0	11.1	3.0	4.7	1.6	0.0	1.6	3.9	3.4	20.0	2.8	4.2	1.5	#DIV/0!	3.3
		3.2				3.0				3.7				2.2			

Location: TH 65 at Medtronic Parkway/Central Avenue
 Count Date: 4/27/2017
 Counted By: JDA



AM PEAK HOUR TURNING MOVEMENT DATA
 All Vehicles

Start Time	TH 65				Central Avenue				TH 65				Medtronic Parkway				Int. Total
	Southbound				Westbound				Northbound				Eastbound				
	Left	Thru	Right	Peds	Left	Thru	Right	Peds	Left	Thru	Right	Peds	Left	Thru	Right	Peds	
7:00	49	585	10	0	93	13	6	0	34	166	133	0	5	7	14	0	1115
7:15	37	507	18	2	86	19	8	0	38	166	152	0	3	12	30	0	1076
7:30	16	535	25	0	109	22	6	3	70	211	86	0	2	9	33	0	1124
7:45	20	491	25	0	99	32	17	0	57	236	133	0	10	19	38	0	1177
Total	122	2118	78	2	387	86	37	3	199	779	504	0	20	47	115	0	4492
% App. Total	5.3	91.3	3.4	0.1	16.7	3.7	1.6	0.1	8.6	33.6	21.7	0.0	0.9	2.0	5.0	0.0	
PHF	0.622	0.905	0.780	0.250	0.888	0.672	0.544	0.250	0.711	0.825	0.829	0.000	0.500	0.618	0.757	0.000	0.954
% Trucks	0.8	2.3	0.0	0.0	2.9	8.9	15.6	0.0	1.0	5.6	2.6	0.0	25.0	14.6	0.0	0.0	3.2
	2.2				4.7				3.9				5.8				

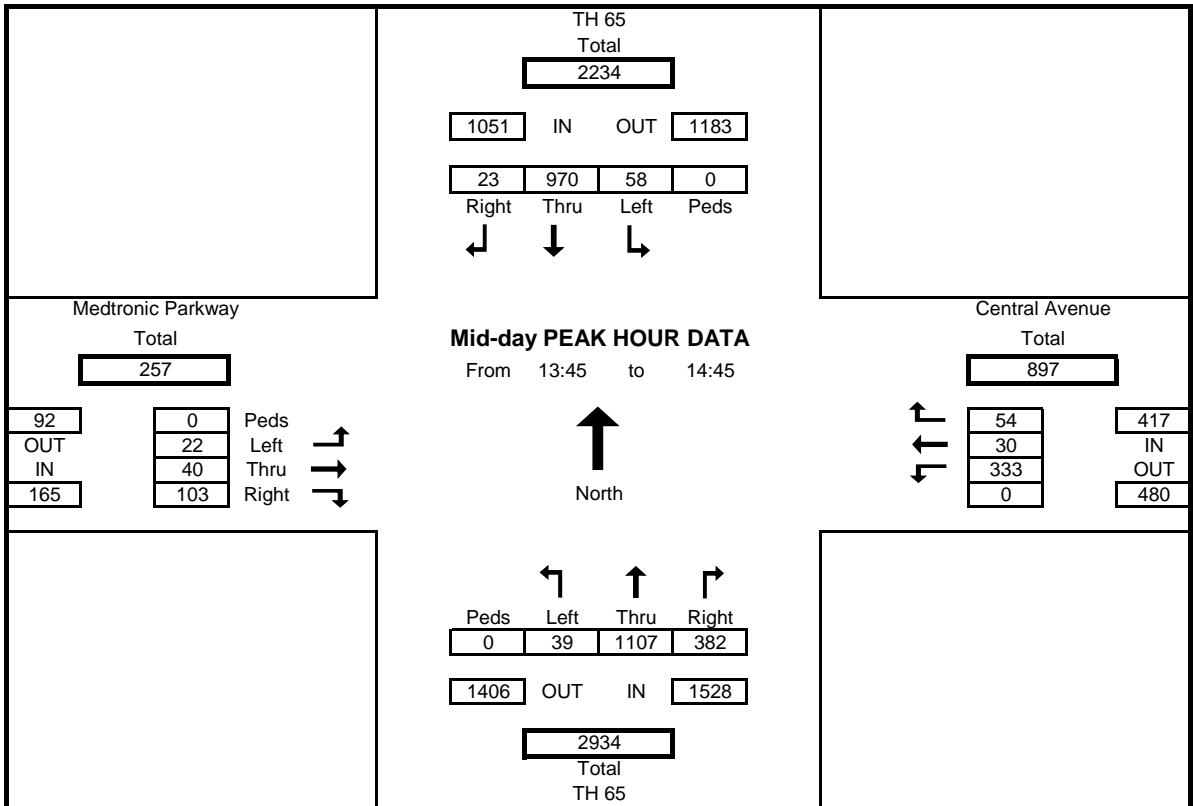


Location: TH 65 at Medtronic Parkway/Central Avenue
 Count Date: 4/27/2017
 Counted By: JDA



Mid-Day PEAK HOUR TURNING MOVEMENT DATA
 All Vehicles

Start Time	TH 65				Central Avenue				TH 65				Medtronic Parkway				Int. Total
	Southbound				Westbound				Northbound				Eastbound				
	Left	Thru	Right	Peds	Left	Thru	Right	Peds	Left	Thru	Right	Peds	Left	Thru	Right	Peds	
13:45	13	245	10	0	66	5	19	0	6	238	79	0	3	9	24	0	717
14:00	16	239	3	0	70	8	8	0	7	261	108	0	8	13	31	0	772
14:15	14	223	4	0	93	9	15	0	12	289	113	0	4	9	28	0	813
14:30	15	263	6	0	104	8	12	0	14	319	82	0	7	9	20	0	859
Total	58	970	23	0	333	30	54	0	39	1107	382	0	22	40	103	0	3161
% App. Total	5.5	92.3	2.2	0.0	31.7	2.9	5.1	0.0	3.7	105.3	36.3	0.0	2.1	3.8	9.8	0.0	
PHF	0.906	0.922	0.575	0.000	0.800	0.833	0.711	0.000	0.696	0.868	0.845	0.000	0.688	0.769	0.831	0.000	0.920
% Trucks	16.0	5.7	0.0	0.0	3.4	3.4	0.0	0.0	5.4	5.4	4.1	0.0	4.8	2.6	0.0	0.0	4.9
	6.1				3.0				5.1				1.2				

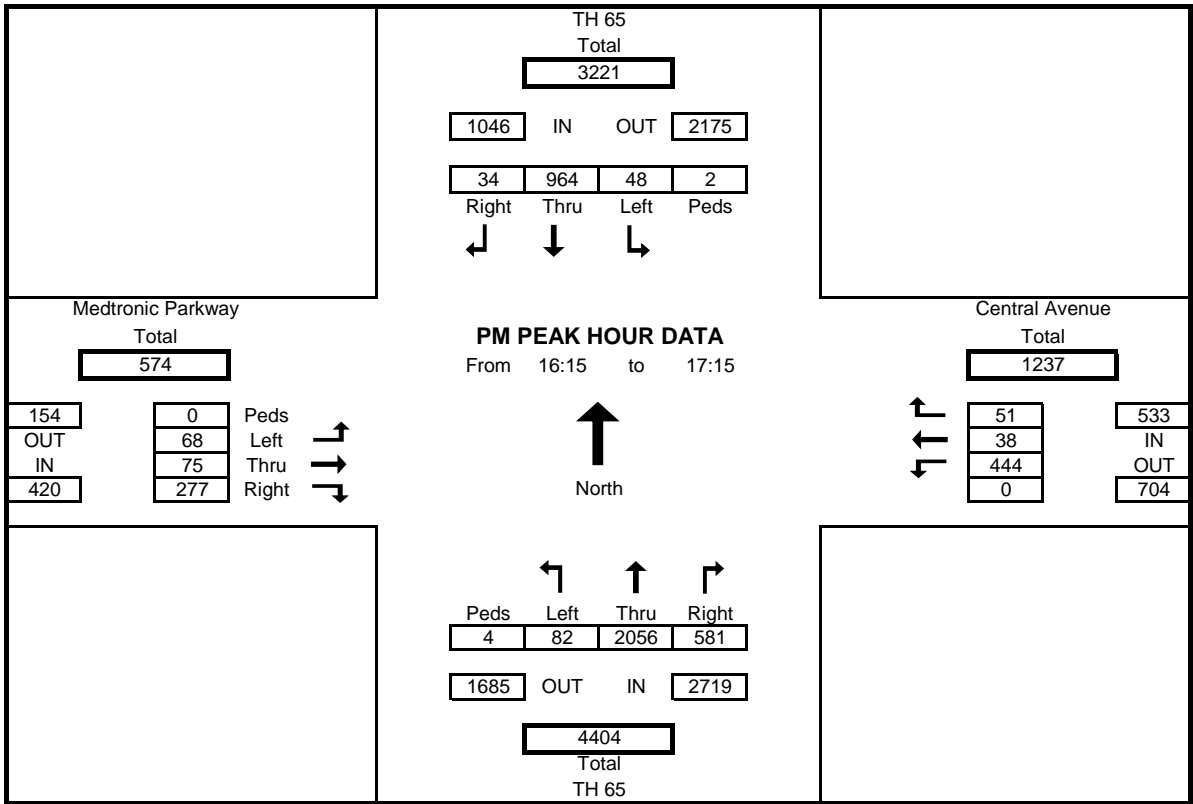


Location: TH 65 at Medtronic Parkway/Central Avenue
 Count Date: 4/27/2017
 Counted By: JDA



AM PEAK HOUR TURNING MOVEMENT DATA
 All Vehicles

Start Time	TH 65				Central Avenue				TH 65				Medtronic Parkway				Int. Total
	Southbound				Westbound				Northbound				Eastbound				
	Left	Thru	Right	Peds	Left	Thru	Right	Peds	Left	Thru	Right	Peds	Left	Thru	Right	Peds	
16:15	11	244	6	2	109	8	16	0	23	492	158	0	10	11	68	0	1156
16:30	14	245	7	0	118	13	8	0	19	496	153	0	23	24	67	0	1187
16:45	15	212	5	0	136	16	15	0	22	527	140	4	21	20	64	0	1193
17:00	8	263	16	0	81	1	12	0	18	541	130	0	14	20	78	0	1182
Total	48	964	34	2	444	38	51	0	82	2056	581	4	68	75	277	0	4718
% App. Total	4.6	92.0	3.2	0.2	42.4	3.6	4.9	0.0	7.8	196.2	55.4	0.4	6.5	7.2	26.4	0.0	
PHF	0.800	0.916	0.531	0.250	0.816	0.594	0.797	0.000	0.891	0.950	0.919	0.250	0.739	0.781	0.888	0.000	0.989
% Trucks	0.0	1.6	0.0	0.0	1.1	0.0	2.0	0.0	1.2	2.4	1.8	33.3	0.0	1.4	0.0	0.0	1.7
		1.5			1.1				2.2				0.2				



Location: TH 65 at Medtronic Parkway/Central Avenue
 Count Date: 4/27/2017
 Counted By: JDA



TURNING MOVEMENT COUNT DATA

Cars+

Start Time	TH 65				Central Avenue				TH 65				Medtronic Parkway				Int. Total
	Southbound				Westbound				Northbound				Eastbound				
	Left	Thru	Right	Peds	Left	Thru	Right	Peds	Left	Thru	Right	Peds	Left	Thru	Right	Peds	
6:00	2	326	0	1	36	0	2	0	8	85	20	0	0	2	9	0	490
6:15	4	411	7	0	55	3	9	0	7	108	36	0	1	4	11	0	656
6:30	4	514	7	0	60	7	11	0	13	127	60	0	5	5	17	0	830
6:45	25	424	8	1	45	11	12	1	20	161	63	1	9	2	17	0	797
7:00	48	579	10	0	90	10	5	0	34	158	131	0	5	7	14	0	1091
7:15	37	493	18	2	83	18	7	0	38	157	147	0	3	10	30	0	1041
7:30	16	529	25	0	105	20	3	3	69	196	82	0	2	9	33	0	1089
7:45	20	469	25	0	98	31	17	0	56	227	131	0	6	15	38	0	1133
8:00	22	386	22	0	72	16	8	0	46	186	91	0	6	5	37	0	897
8:15	12	383	29	0	92	7	10	0	59	173	94	0	6	4	19	0	888
8:30	10	282	13	0	67	8	10	0	34	156	76	0	3	0	15	0	674
8:45	9	277	13	0	71	9	13	0	46	230	80	0	4	3	10	0	765
9:00	6	232	2	0	60	7	14	0	38	169	64	0	5	1	13	0	611
9:15	7	236	5	0	60	8	5	0	13	171	51	0	2	3	17	0	578
9:30	17	227	6	0	62	4	7	0	12	194	48	0	2	4	13	0	596
9:45	11	189	1	0	34	2	10	0	11	211	65	0	1	4	5	0	544
10:00	7	183	3	1	61	4	5	0	9	181	45	0	8	1	14	0	521
10:15	8	193	9	1	60	6	10	0	10	170	44	0	1	2	12	0	525
10:30	6	209	3	0	57	5	2	0	9	159	39	0	1	6	8	0	504
10:45	3	202	5	0	42	4	6	0	16	192	53	0	1	4	22	0	550
11:00	7	230	2	0	75	5	10	0	13	185	60	0	4	8	18	0	617
11:15	3	242	7	0	60	6	5	0	8	187	71	0	6	6	17	0	618
11:30	12	208	2	0	78	11	9	0	9	227	59	0	8	7	28	0	658
11:45	9	210	4	0	71	5	10	0	15	248	57	0	10	12	12	0	663
12:00	6	247	10	0	58	5	14	0	5	230	30	0	4	10	19	0	638
12:15	6	222	9	0	63	5	12	0	17	202	67	0	4	5	13	0	625
12:30	7	224	5	0	70	6	9	0	20	234	69	0	2	5	33	0	684
12:45	4	224	6	0	49	10	11	0	28	236	66	0	3	9	11	0	657
13:00	4	211	7	0	57	11	3	0	19	233	49	0	3	5	24	0	626
13:15	4	227	3	0	46	6	7	0	13	235	71	0	10	7	21	0	650
13:30	9	210	3	0	70	10	13	0	12	224	63	0	2	7	23	0	646
13:45	12	225	10	0	65	5	19	0	6	227	75	0	3	8	24	0	679
14:00	11	229	3	0	67	8	8	0	7	249	103	0	8	13	31	0	737
14:15	12	213	4	0	91	9	15	0	10	273	107	0	3	9	28	0	774
14:30	15	251	6	0	99	7	12	0	14	301	82	0	7	9	20	0	823
14:45	9	208	11	0	78	11	13	0	23	326	88	0	6	7	30	0	810
15:00	13	280	5	1	95	9	10	1	25	330	102	0	11	33	73	0	986
15:15	15	239	5	0	109	8	18	0	13	337	117	0	11	15	54	0	941
15:30	7	248	3	0	96	11	26	0	16	426	108	0	5	9	53	0	1008
15:45	15	237	6	0	81	7	18	0	22	395	107	0	10	13	53	0	964
16:00	19	263	8	0	93	4	9	0	19	502	135	0	19	18	69	0	1158
16:15	11	241	6	2	108	8	16	0	23	479	154	0	10	11	68	0	1135
16:30	14	238	7	0	117	13	8	0	19	486	151	0	23	24	67	0	1167
16:45	15	210	5	0	134	16	15	0	21	516	137	3	21	20	64	0	1174
17:00	8	260	16	0	80	1	11	0	18	527	129	0	14	19	78	0	1161
17:15	6	244	4	0	119	7	11	0	15	476	123	0	9	13	60	0	1087
17:30	6	212	8	0	76	11	11	1	34	463	102	0	11	9	50	0	993
17:45	9	181	6	0	70	10	16	0	29	435	101	0	7	22	66	0	952
18:00	15	270	4	0	64	6	17	0	23	350	159	0	6	7	60	0	981
18:15	16	224	6	0	73	5	11	0	21	343	119	0	3	7	36	0	864
18:30	10	232	5	0	96	10	28	0	14	325	83	1	2	9	34	0	848
18:45	12	186	5	0	72	4	11	0	26	310	90	0	5	8	22	0	751
Total	595	14090	402	9	3890	430	572	6	1105	13928	4454	5	321	455	1613	0	41855
Cars+	595	14090	402	9	3890	430	572	6	1105	13928	4454	5	321	455	1613	0	41855
Trucks	19	463	4	1	118	20	9	0	18	543	152	1	9	19	25	1	1399
% Trucks	3.2	3.3	1.0	11.1	3.0	4.7	1.6	0.0	1.6	3.9	3.4	20.0	2.8	4.2	1.5	0.0	3.3
	3.2				3.0				3.7				2.2				

Location: TH 65 at Medtronic Parkway/Central Avenue
 Count Date: 4/27/2017
 Counted By: JDA



TURNING MOVEMENT COUNT DATA
Heavy Vehicles

Start Time	TH 65				Central Avenue				TH 65				Medtronic Parkway				Int. Total	
	Southbound				Westbound				Northbound				Eastbound					
	Left	Thru	Right	Bikes	Left	Thru	Right	Bikes	Left	Thru	Right	Bikes	Left	Thru	Right	Bikes		
6:00	0	14	0	0	0	0	0	0	0	5	0	0	0	0	0	0	0	19
6:15	0	8	0	0	3	2	0	0	0	4	0	0	0	0	0	2	0	19
6:30	1	16	0	0	2	1	0	0	0	6	4	0	0	0	1	0	0	32
6:45	0	11	0	1	1	1	0	0	0	3	2	0	0	0	1	1	0	20
7:00	1	6	0	0	3	3	1	0	0	8	2	0	0	0	0	0	0	24
7:15	0	14	0	0	3	1	1	0	0	9	5	0	0	0	2	0	0	35
7:30	0	6	0	0	4	2	3	0	0	15	4	0	0	0	0	0	0	35
7:45	0	22	0	0	1	1	0	0	0	9	2	0	0	4	4	0	0	44
8:00	0	10	0	0	3	1	0	0	0	21	4	0	0	0	0	1	0	40
8:15	0	12	0	0	3	0	0	0	0	13	4	0	0	0	0	0	0	32
8:30	2	10	0	0	0	1	0	0	0	3	3	0	0	0	0	2	0	22
8:45	0	11	0	0	2	0	0	0	0	10	2	0	0	0	0	0	0	26
9:00	0	5	0	0	3	0	0	0	0	11	1	0	0	0	0	0	0	20
9:15	0	12	0	0	2	1	0	0	0	10	3	0	0	0	1	0	0	29
9:30	0	5	0	0	1	0	0	0	0	10	2	0	0	0	0	0	0	18
9:45	1	15	1	0	3	1	0	0	0	9	1	0	0	0	0	1	0	32
10:00	0	7	0	0	2	0	0	0	0	7	3	0	0	0	0	0	0	19
10:15	1	13	0	0	1	0	0	0	0	8	1	0	0	0	0	0	0	24
10:30	1	13	0	0	3	0	0	0	0	8	2	0	0	0	0	0	0	27
10:45	0	8	0	0	1	1	0	0	0	13	0	0	0	0	1	1	0	26
11:00	0	16	0	0	1	0	1	0	0	12	1	0	0	0	0	0	0	31
11:15	0	8	0	0	1	0	0	0	0	7	3	0	0	0	0	0	0	19
11:30	0	11	1	0	2	0	0	0	0	14	6	0	0	0	1	0	0	35
11:45	0	7	0	0	3	1	0	0	0	20	5	0	0	1	0	0	0	37
12:00	0	13	0	0	4	0	0	0	0	14	26	0	0	0	0	2	0	59
12:15	0	14	0	0	2	0	0	0	0	10	1	0	0	1	0	0	0	29
12:30	0	6	0	0	3	0	0	0	0	10	6	0	0	0	0	0	0	26
12:45	0	12	0	0	2	0	1	0	0	11	5	0	0	0	0	0	0	31
13:00	2	6	0	0	3	0	0	0	0	21	2	0	0	0	0	0	0	34
13:15	0	11	0	0	8	2	1	0	0	8	2	0	0	1	0	1	0	34
13:30	1	16	1	0	2	0	0	0	0	15	2	0	0	1	0	0	0	38
13:45	1	20	0	0	1	0	0	0	0	11	4	0	0	0	1	0	0	38
14:00	5	10	0	0	3	0	0	0	0	12	5	0	0	0	0	0	0	35
14:15	2	10	0	0	2	0	0	0	0	16	6	0	0	1	0	0	0	39
14:30	0	12	0	0	5	1	0	0	0	18	0	0	0	0	0	0	0	36
14:45	0	5	0	0	5	0	0	0	0	9	1	0	0	0	1	1	0	22
15:00	0	7	0	0	1	0	0	0	0	12	2	0	0	0	3	9	0	36
15:15	0	8	0	0	2	0	0	0	0	8	5	0	0	0	0	1	0	24
15:30	0	5	0	0	1	0	0	0	0	12	1	0	0	0	1	0	0	22
15:45	0	8	0	0	3	0	0	0	0	6	1	0	0	0	1	0	1	21
16:00	1	1	0	0	2	0	0	0	0	10	3	0	0	0	0	0	0	17
16:15	0	3	0	0	1	0	0	0	0	13	4	0	0	0	0	0	0	21
16:30	0	7	0	0	1	0	0	0	0	10	2	0	0	0	0	0	0	20
16:45	0	2	0	0	2	0	0	0	0	11	3	1	0	0	0	0	0	19
17:00	0	3	0	0	1	0	1	0	0	14	1	0	0	0	1	0	0	21
17:15	0	3	0	0	4	0	0	0	0	15	2	0	0	0	0	1	0	25
17:30	0	5	0	0	5	0	0	0	0	13	2	0	0	0	0	0	0	25
17:45	0	3	1	0	1	0	0	0	0	6	0	0	0	0	0	1	0	12
18:00	0	4	0	0	2	0	0	0	0	5	0	0	0	0	0	0	0	12
18:15	0	6	0	0	2	0	0	0	0	7	2	0	0	0	0	0	0	17
18:30	0	2	0	0	1	0	0	0	0	5	2	0	0	0	0	1	0	11
18:45	0	1	0	0	1	0	0	0	0	6	2	0	0	0	0	0	0	10
Total	19	463	4	1	118	20	9	0	18	543	152	1	9	19	25	1	1399	
Cars+	595	14090	402	9	3890	430	572	6	1105	13928	4454	5	321	455	1613	0	41855	
Trucks	19	463	4	1	118	20	9	0	18	543	152	1	9	19	25	1	1399	
% Trucks	3.2	3.3	1.0	11.1	3.0	4.7	1.6	0.0	1.6	3.9	3.4	20.0	2.8	4.2	1.5	#DIV/0!		3.3
			3.2			3.0				3.7				2.2				