

Location: TH 65 at 73rd Avenue
 Count Date: 4/13/2017
 Counted By: JDA



TURNING MOVEMENT COUNT DATA
 All Vehicles

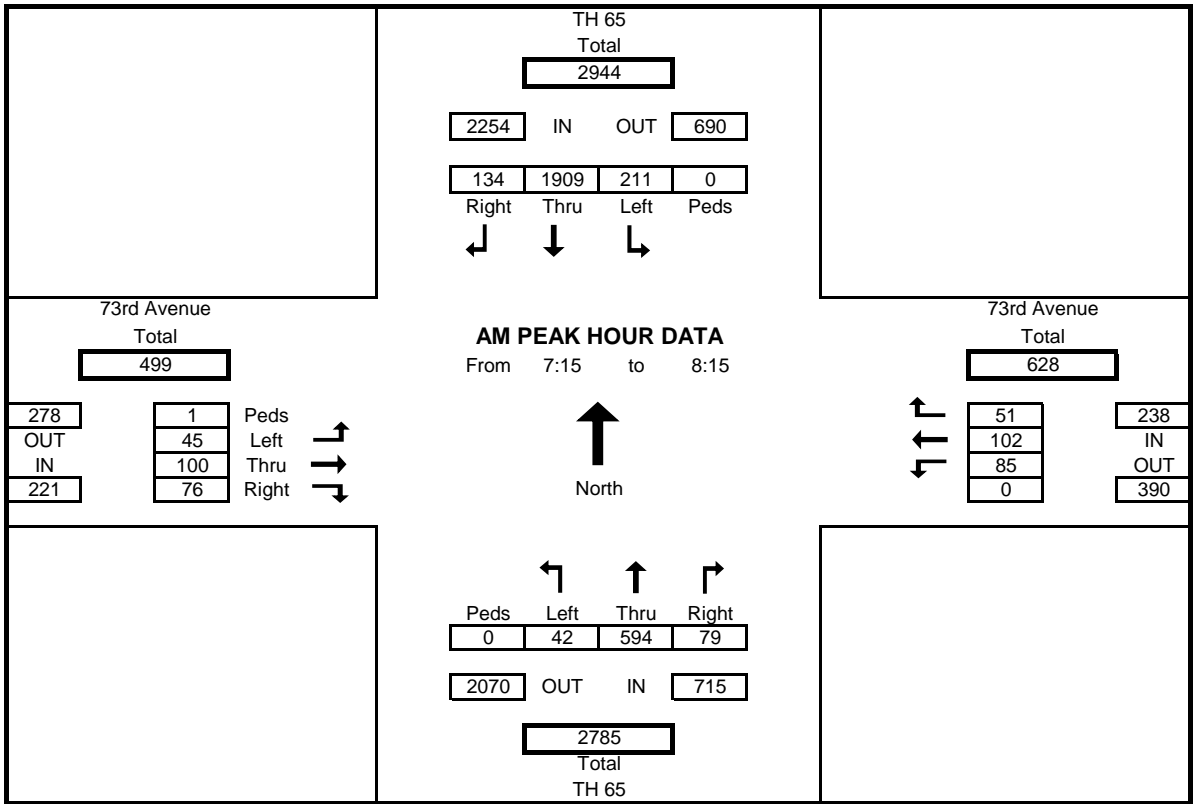
Start Time	TH 65				73rd Avenue				TH 65				73rd Avenue				Int. Total
	Southbound				Westbound				Northbound				Eastbound				
	Left	Thru	Right	Peds	Left	Thru	Right	Peds	Left	Thru	Right	Peds	Left	Thru	Right	Peds	
6:00	22	290	14	0	9	5	5	0	8	51	5	1	4	13	3	0	429
6:15	33	344	30	0	13	12	8	0	5	89	7	1	5	16	17	0	579
6:30	49	467	29	0	16	16	12	0	6	111	15	0	5	13	14	0	753
6:45	56	406	36	0	17	14	8	0	7	147	20	0	3	27	8	0	749
7:00	42	529	21	0	17	11	5	0	5	131	12	1	10	10	20	0	813
7:15	36	500	36	0	17	25	10	0	6	153	14	0	12	23	11	1	843
7:30	57	476	27	0	23	25	11	0	12	119	21	0	13	31	21	0	836
7:45	68	497	46	0	18	33	16	0	11	164	23	0	7	20	24	0	927
8:00	50	436	25	0	27	19	14	0	13	158	21	0	13	26	20	0	822
8:15	50	345	40	0	14	10	15	0	9	138	12	0	13	20	10	0	676
8:30	28	314	18	0	16	17	12	0	8	158	15	0	12	11	27	0	636
8:45	29	269	20	0	12	22	13	0	14	131	13	0	8	14	17	0	562
9:00	13	241	21	0	18	26	11	0	12	142	13	0	15	25	18	0	555
9:15	26	229	17	0	9	14	22	0	10	146	6	0	13	19	17	0	528
9:30	15	201	16	0	17	17	15	0	7	137	8	2	9	20	15	0	477
9:45	16	217	19	0	14	11	13	0	17	160	18	0	15	12	19	0	531
10:00	11	187	16	0	17	15	10	0	9	178	12	2	12	14	8	0	489
10:15	13	198	14	0	11	8	12	0	9	148	8	1	5	11	22	0	459
10:30	13	182	11	0	20	19	10	0	7	195	12	0	11	21	15	0	516
10:45	14	180	16	0	12	15	16	0	14	173	11	1	15	13	17	0	496
11:00	15	133	11	0	17	14	18	0	18	182	10	0	13	24	16	0	471
11:15	12	194	20	0	16	18	20	0	15	181	9	0	13	15	20	0	533
11:30	16	184	23	0	17	19	19	0	17	179	11	1	25	14	24	0	548
11:45	18	194	10	0	16	17	16	0	7	197	14	2	24	17	19	0	549
12:00	19	202	14	0	15	26	14	0	12	181	12	0	16	23	9	0	543
12:15	13	187	20	0	13	18	23	0	11	213	16	2	21	24	14	0	573
12:30	17	202	17	0	17	12	11	0	20	211	11	0	10	23	16	0	567
12:45	16	172	17	0	16	18	9	0	21	201	11	0	16	13	17	0	527
13:00	18	203	24	0	28	23	21	0	11	197	10	0	16	16	19	0	586
13:15	15	194	20	0	20	24	13	0	15	197	11	1	12	24	20	0	565
13:30	7	201	23	0	16	22	19	0	20	206	4	0	12	22	14	0	566
13:45	13	188	17	1	13	19	12	1	10	214	14	2	13	17	18	2	548
14:00	13	225	18	0	18	16	21	0	19	216	20	0	17	17	13	0	613
14:15	26	202	22	0	16	28	19	0	12	233	17	1	16	18	23	0	632
14:30	29	192	13	0	23	25	21	0	17	316	16	1	43	23	25	0	743
14:45	24	217	18	1	19	31	31	0	13	316	20	2	51	36	12	1	788
15:00	10	225	19	0	42	50	47	0	21	282	12	0	33	36	36	0	813
15:15	18	248	17	1	40	43	43	0	15	368	10	1	23	30	31	1	886
15:30	13	203	27	0	15	35	29	0	15	375	16	0	36	27	26	0	817
15:45	33	221	33	0	17	37	28	0	24	408	6	0	38	45	32	0	922
16:00	9	202	18	0	23	31	38	0	22	439	12	4	59	51	28	0	932
16:15	16	270	17	1	20	31	35	0	11	474	25	1	26	24	19	0	968
16:30	20	237	17	0	24	39	35	0	17	483	17	0	27	37	24	0	977
16:45	21	251	23	0	22	44	20	0	16	420	24	0	31	41	18	0	931
17:00	11	175	23	0	30	48	26	0	20	473	23	0	31	30	26	0	916
17:15	16	227	26	1	14	40	29	2	18	508	19	0	22	27	30	0	976
17:30	11	208	24	0	15	31	32	0	12	440	20	0	29	33	26	0	881
17:45	13	188	25	0	21	21	18	0	15	366	16	0	22	21	15	0	741
18:00	10	186	26	0	16	25	25	0	10	365	11	2	17	28	13	2	732
18:15	17	204	13	4	28	15	14	2	15	318	9	0	17	14	13	0	677
18:30	4	190	11	0	11	21	13	0	22	300	10	0	15	19	15	0	631
18:45	16	213	21	0	13	8	14	0	13	227	22	0	13	15	21	0	596
Total	1150	13046	1099	9	948	1183	971	5	693	12515	724	29	957	1163	975	7	35424
Cars+	1093	12681	1002	9	898	1145	921	5	670	12148	672	26	863	1120	956	7	34169
Trucks	57	365	97	0	50	38	50	0	23	367	52	3	94	43	19	0	1255
% Trucks	5.2	2.9	9.7	0.0	5.6	3.3	5.4	0.0	3.4	3.0	7.7	11.5	10.9	3.8	2.0	0.0	3.7
	3.5				4.7				3.3				5.3				

Location: TH 65 at 73rd Avenue
 Count Date: 4/13/2017
 Counted By: JDA



AM PEAK HOUR TURNING MOVEMENT DATA
 All Vehicles

Start Time	TH 65				73rd Avenue				TH 65				73rd Avenue				Int. Total
	Southbound				Westbound				Northbound				Eastbound				
	Left	Thru	Right	Peds	Left	Thru	Right	Peds	Left	Thru	Right	Peds	Left	Thru	Right	Peds	
7:15	36	500	36	0	17	25	10	0	6	153	14	0	12	23	11	1	843
7:30	57	476	27	0	23	25	11	0	12	119	21	0	13	31	21	0	836
7:45	68	497	46	0	18	33	16	0	11	164	23	0	7	20	24	0	927
8:00	50	436	25	0	27	19	14	0	13	158	21	0	13	26	20	0	822
Total	211	1909	134	0	85	102	51	0	42	594	79	0	45	100	76	1	3428
% App. Total	9.4	84.7	5.9	0.0	3.8	4.5	2.3	0.0	1.9	26.4	3.5	0.0	2.0	4.4	3.4	0.0	
PHF	0.776	0.955	0.728	0.000	0.787	0.773	0.797	0.000	0.808	0.905	0.859	0.000	0.865	0.806	0.792	0.250	0.924
% Trucks	1.4	2.3	3.1	0.0	4.9	4.1	13.3	0.0	2.4	9.4	9.7	0.0	7.1	11.1	2.7	0.0	4.2
	2.3				6.3				9.0				7.3				

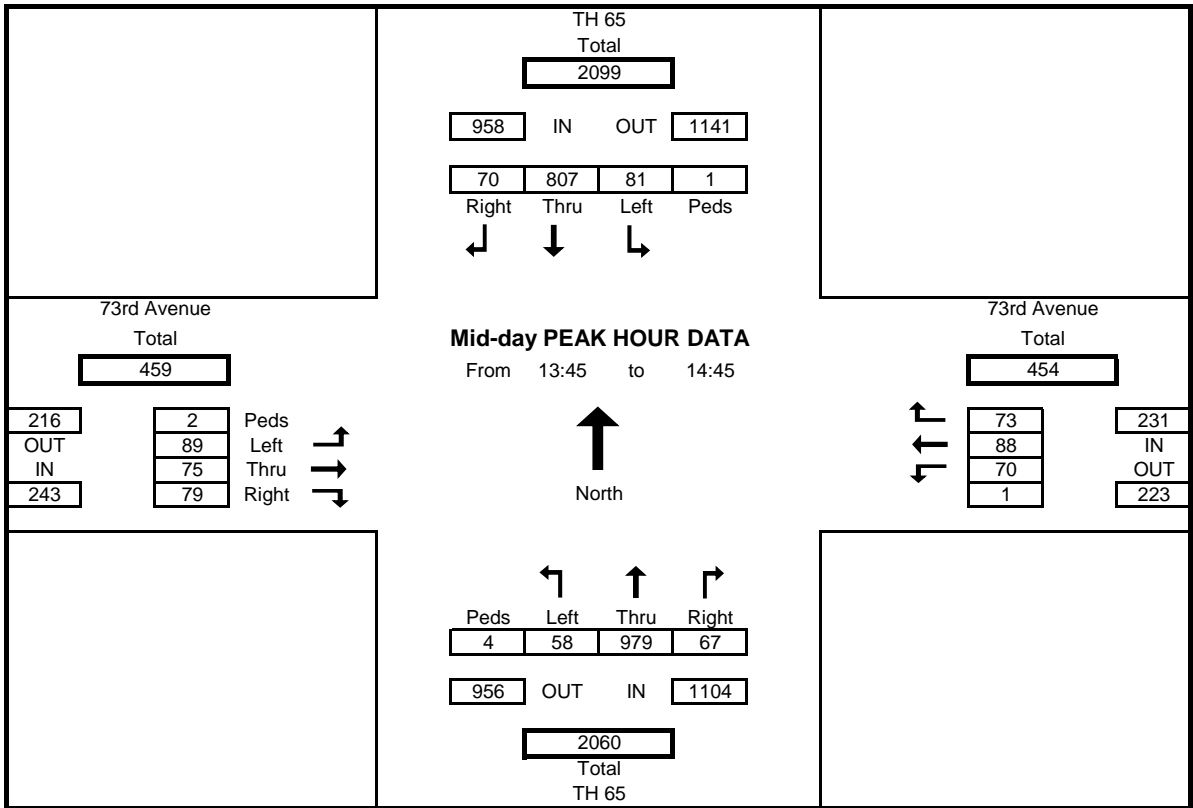


Location: TH 65 at 73rd Avenue
 Count Date: 4/13/2017
 Counted By: JDA



Mid-Day PEAK HOUR TURNING MOVEMENT DATA
 All Vehicles

Start Time	TH 65				73rd Avenue				TH 65				73rd Avenue				Int. Total
	Southbound				Westbound				Northbound				Eastbound				
	Left	Thru	Right	Peds	Left	Thru	Right	Peds	Left	Thru	Right	Peds	Left	Thru	Right	Peds	
13:45	13	188	17	1	13	19	12	1	10	214	14	2	13	17	18	2	548
14:00	13	225	18	0	18	16	21	0	19	216	20	0	17	17	13	0	613
14:15	26	202	22	0	16	28	19	0	12	233	17	1	16	18	23	0	632
14:30	29	192	13	0	23	25	21	0	17	316	16	1	43	23	25	0	743
Total	81	807	70	1	70	88	73	1	58	979	67	4	89	75	79	2	2536
% App. Total	8.4	84.2	7.3	0.1	7.3	9.2	7.6	0.1	6.0	102.1	7.0	0.4	9.3	7.8	8.2	0.2	
PHF	0.698	0.897	0.795	0.250	0.761	0.786	0.869	0.250	0.763	0.775	0.838	0.500	0.517	0.815	0.790	0.250	0.853
% Trucks	5.2	4.4	12.9	0.0	2.9	1.1	4.3	0.0	0.0	2.1	9.8	33.3	14.1	2.7	5.3	0.0	3.9
	5.0				2.7				2.4				7.5				

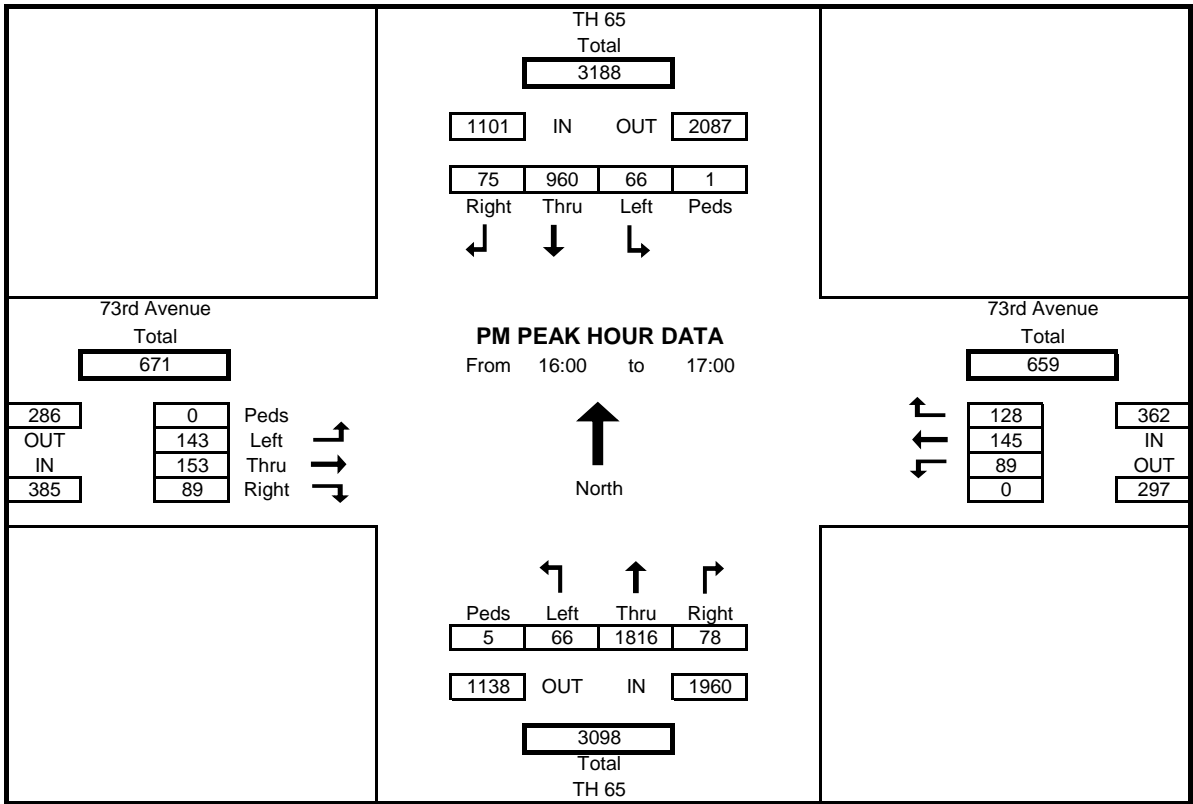


Location: TH 65 at 73rd Avenue
 Count Date: 4/13/2017
 Counted By: JDA



AM PEAK HOUR TURNING MOVEMENT DATA
 All Vehicles

Start Time	TH 65				73rd Avenue				TH 65				73rd Avenue				Int. Total
	Southbound				Westbound				Northbound				Eastbound				
	Left	Thru	Right	Peds	Left	Thru	Right	Peds	Left	Thru	Right	Peds	Left	Thru	Right	Peds	
16:00	9	202	18	0	23	31	38	0	22	439	12	4	59	51	28	0	932
16:15	16	270	17	1	20	31	35	0	11	474	25	1	26	24	19	0	968
16:30	20	237	17	0	24	39	35	0	17	483	17	0	27	37	24	0	977
16:45	21	251	23	0	22	44	20	0	16	420	24	0	31	41	18	0	931
Total	66	960	75	1	89	145	128	0	66	1816	78	5	143	153	89	0	3808
% App. Total	6.0	87.1	6.8	0.1	8.1	13.2	11.6	0.0	6.0	164.8	7.1	0.5	13.0	13.9	8.1	0.0	
PHF	0.786	0.889	0.815	0.250	0.927	0.824	0.842	0.000	0.750	0.940	0.780	0.313	0.606	0.750	0.795	0.000	0.974
% Trucks	4.8	2.2	2.7	0.0	0.0	4.3	1.6	0.0	4.8	1.6	0.0	0.0	6.7	2.7	0.0	0.0	2.1
	2.4				2.3				1.6				3.5				



Location: TH 65 at 73rd Avenue
 Count Date: 4/13/2017
 Counted By: JDA



TURNING MOVEMENT COUNT DATA

Cars+

Start Time	TH 65				73rd Avenue				TH 65				73rd Avenue				Int. Total
	Southbound				Westbound				Northbound				Eastbound				
	Left	Thru	Right	Peds	Left	Thru	Right	Peds	Left	Thru	Right	Peds	Left	Thru	Right	Peds	
6:00	20	276	14	0	7	5	5	0	7	51	5	0	4	11	3	0	408
6:15	29	338	27	0	12	12	7	0	5	86	7	1	5	16	15	0	559
6:30	47	448	27	0	12	16	11	0	6	107	13	0	5	13	14	0	719
6:45	54	390	33	0	17	14	8	0	7	144	20	0	2	27	7	0	723
7:00	40	525	16	0	17	11	5	0	5	124	11	1	8	7	20	0	789
7:15	35	496	34	0	16	24	9	0	5	147	11	0	10	18	10	1	815
7:30	56	464	26	0	22	24	10	0	12	113	21	0	13	29	21	0	811
7:45	67	485	46	0	17	32	13	0	11	150	20	0	7	18	24	0	890
8:00	50	421	24	0	26	18	13	0	13	133	20	0	12	25	19	0	774
8:15	49	338	37	0	14	10	13	0	9	124	12	0	10	20	10	0	646
8:30	28	305	15	0	16	16	10	0	8	147	13	0	10	10	27	0	605
8:45	29	260	17	0	12	20	13	0	12	124	13	0	5	14	17	0	536
9:00	13	233	20	0	18	24	11	0	12	126	12	0	9	24	18	0	520
9:15	24	216	15	0	9	14	19	0	9	144	5	0	10	19	16	0	500
9:30	15	196	16	0	16	17	14	0	7	128	7	2	8	20	15	0	459
9:45	14	209	17	0	13	9	13	0	17	148	14	0	12	11	19	0	496
10:00	9	183	14	0	14	12	9	0	9	173	11	2	11	14	7	0	466
10:15	13	188	13	0	7	8	10	0	9	141	6	0	5	11	20	0	431
10:30	12	177	6	0	16	18	10	0	7	189	9	0	8	20	15	0	487
10:45	13	175	12	0	12	14	15	0	14	163	9	1	12	13	16	0	468
11:00	12	127	9	0	14	13	16	0	17	179	7	0	11	23	15	0	443
11:15	10	189	18	0	16	16	18	0	14	174	9	0	10	13	19	0	506
11:30	15	176	18	0	15	19	18	0	15	173	11	1	23	14	23	0	520
11:45	18	187	8	0	13	16	14	0	7	184	12	2	22	16	19	0	516
12:00	16	196	11	0	15	26	14	0	11	177	11	0	13	22	9	0	521
12:15	13	177	19	0	12	18	20	0	11	208	16	2	18	24	14	0	550
12:30	15	192	14	0	15	12	10	0	18	204	9	0	9	22	16	0	536
12:45	14	168	15	0	15	17	9	0	21	191	10	0	14	12	17	0	503
13:00	16	193	22	0	25	23	18	0	11	194	8	0	12	16	19	0	557
13:15	14	186	15	0	18	24	12	0	15	188	10	1	11	23	20	0	536
13:30	7	197	23	0	16	21	18	0	18	200	4	0	11	22	14	0	551
13:45	10	177	16	1	13	19	12	1	10	208	13	2	9	17	15	2	519
14:00	13	211	15	0	18	16	20	0	19	214	18	0	16	16	13	0	589
14:15	25	200	18	0	15	28	18	0	12	226	16	1	14	18	22	0	612
14:30	29	185	13	0	22	24	20	0	17	311	14	0	39	22	25	0	721
14:45	22	202	17	1	18	30	29	0	12	308	19	2	49	34	11	1	751
15:00	9	221	16	0	41	49	46	0	19	275	9	0	31	35	35	0	786
15:15	18	238	14	1	39	42	42	0	15	358	9	1	21	28	31	1	855
15:30	13	198	24	0	15	34	29	0	15	365	15	0	30	26	26	0	790
15:45	32	220	32	0	16	35	27	0	24	399	6	0	36	42	32	0	901
16:00	9	193	17	0	23	30	37	0	19	434	12	4	55	51	28	0	908
16:15	13	265	17	1	20	28	34	0	11	465	25	1	25	22	19	0	944
16:30	20	233	17	0	24	38	35	0	17	477	17	0	25	36	24	0	963
16:45	21	248	22	0	22	43	20	0	16	412	24	0	29	40	18	0	915
17:00	11	174	23	0	30	48	26	0	20	469	22	0	31	30	26	0	910
17:15	14	224	26	1	14	39	27	2	17	502	19	0	22	27	30	0	961
17:30	9	205	23	0	14	31	32	0	12	436	20	0	28	32	26	0	868
17:45	12	187	25	0	21	21	17	0	13	361	16	0	22	21	15	0	731
18:00	9	184	26	0	15	24	24	0	10	359	11	2	17	28	13	2	720
18:15	17	204	13	4	28	15	14	2	15	311	9	0	17	14	13	0	670
18:30	4	189	11	0	11	20	13	0	22	297	10	0	14	19	15	0	625
18:45	16	212	16	0	12	8	14	0	13	227	22	0	13	15	21	0	589
Total	1093	12681	1002	9	898	1145	921	5	670	12148	672	26	863	1120	956	7	34169
Cars+	1093	12681	1002	9	898	1145	921	5	670	12148	672	26	863	1120	956	7	34169
Trucks	57	365	97	0	50	38	50	0	23	367	52	3	94	43	19	0	1255
% Trucks	5.2	2.9	9.7	0.0	5.6	3.3	5.4	0.0	3.4	3.0	7.7	11.5	10.9	3.8	2.0	0.0	3.7
	3.5				4.7				3.3				5.3				

Location: TH 65 at 73rd Avenue
 Count Date: 4/13/2017
 Counted By: JDA



TURNING MOVEMENT COUNT DATA
Heavy Vehicles

Start Time	TH 65				73rd Avenue				TH 65				73rd Avenue				Int. Total
	Southbound				Westbound				Northbound				Eastbound				
	Left	Thru	Right	Bikes	Left	Thru	Right	Bikes	Left	Thru	Right	Bikes	Left	Thru	Right	Bikes	
6:00	2	14	0	0	2	0	0	0	1	0	0	1	0	2	0	0	21
6:15	4	6	3	0	1	0	1	0	0	3	0	0	0	0	2	0	20
6:30	2	19	2	0	4	0	1	0	0	4	2	0	0	0	0	0	34
6:45	2	16	3	0	0	0	0	0	0	3	0	0	1	0	1	0	26
7:00	2	4	5	0	0	0	0	0	0	7	1	0	2	3	0	0	24
7:15	1	4	2	0	1	1	1	0	1	6	3	0	2	5	1	0	28
7:30	1	12	1	0	1	1	1	0	0	6	0	0	0	2	0	0	25
7:45	1	12	0	0	1	1	3	0	0	14	3	0	0	2	0	0	37
8:00	0	15	1	0	1	1	1	0	0	25	1	0	1	1	1	0	48
8:15	1	7	3	0	0	0	2	0	0	14	0	0	3	0	0	0	30
8:30	0	9	3	0	0	1	2	0	0	11	2	0	2	1	0	0	31
8:45	0	9	3	0	0	2	0	0	2	7	0	0	3	0	0	0	26
9:00	0	8	1	0	0	2	0	0	0	16	1	0	6	1	0	0	35
9:15	2	13	2	0	0	0	3	0	1	2	1	0	3	0	1	0	28
9:30	0	5	0	0	1	0	1	0	0	9	1	0	1	0	0	0	18
9:45	2	8	2	0	1	2	0	0	0	12	4	0	3	1	0	0	35
10:00	2	4	2	0	3	3	1	0	0	5	1	0	1	0	1	0	23
10:15	0	10	1	0	4	0	2	0	0	7	2	1	0	0	2	0	28
10:30	1	5	5	0	4	1	0	0	0	6	3	0	3	1	0	0	29
10:45	1	5	4	0	0	1	1	0	0	10	2	0	3	0	1	0	28
11:00	3	6	2	0	3	1	2	0	1	3	3	0	2	1	1	0	28
11:15	2	5	2	0	0	2	2	0	1	7	0	0	3	2	1	0	27
11:30	1	8	5	0	2	0	1	0	2	6	0	0	2	0	1	0	28
11:45	0	7	2	0	3	1	2	0	0	13	2	0	2	1	0	0	33
12:00	3	6	3	0	0	0	0	0	1	4	1	0	3	1	0	0	22
12:15	0	10	1	0	1	0	3	0	0	5	0	0	3	0	0	0	23
12:30	2	10	3	0	2	0	1	0	2	7	2	0	1	1	0	0	31
12:45	2	4	2	0	1	1	0	0	0	10	1	0	2	1	0	0	24
13:00	2	10	2	0	3	0	3	0	0	3	2	0	4	0	0	0	29
13:15	1	8	5	0	2	0	1	0	0	9	1	0	1	1	0	0	29
13:30	0	4	0	0	0	1	1	0	2	6	0	0	1	0	0	0	15
13:45	3	11	1	0	0	0	0	0	0	6	1	0	4	0	3	0	29
14:00	0	14	3	0	0	0	1	0	0	2	2	0	1	1	0	0	24
14:15	1	2	4	0	1	0	1	0	0	7	1	0	2	0	1	0	20
14:30	0	7	0	0	1	1	1	0	0	5	2	1	4	1	0	0	22
14:45	2	15	1	0	1	1	2	0	1	8	1	0	2	2	1	0	37
15:00	1	4	3	0	1	1	1	0	2	7	3	0	2	1	1	0	27
15:15	0	10	3	0	1	1	1	0	0	10	1	0	2	2	0	0	31
15:30	0	5	3	0	0	1	0	0	0	10	1	0	6	1	0	0	27
15:45	1	1	1	0	1	2	1	0	0	9	0	0	2	3	0	0	21
16:00	0	9	1	0	0	1	1	0	3	5	0	0	4	0	0	0	24
16:15	3	5	0	0	0	3	1	0	0	9	0	0	1	2	0	0	24
16:30	0	4	0	0	0	1	0	0	0	6	0	0	2	1	0	0	14
16:45	0	3	1	0	0	1	0	0	0	8	0	0	2	1	0	0	16
17:00	0	1	0	0	0	0	0	0	0	4	1	0	0	0	0	0	6
17:15	2	3	0	0	0	1	2	0	1	6	0	0	0	0	0	0	15
17:30	2	3	1	0	1	0	0	0	0	4	0	0	1	1	0	0	13
17:45	1	1	0	0	0	0	1	0	2	5	0	0	0	0	0	0	10
18:00	1	2	0	0	1	1	1	0	0	6	0	0	0	0	0	0	12
18:15	0	0	0	0	0	0	0	0	0	7	0	0	0	0	0	0	7
18:30	0	1	0	0	0	1	0	0	0	3	0	0	1	0	0	0	6
18:45	0	1	5	0	1	0	0	0	0	0	0	0	0	0	0	0	7
Total	57	365	97	0	50	38	50	0	23	367	52	3	94	43	19	0	1255
Cars+	1093	12681	1002	9	898	1145	921	5	670	12148	672	26	863	1120	956	7	34169
Trucks	57	365	97	0	50	38	50	0	23	367	52	3	94	43	19	0	1255
% Trucks	5.2	2.9	9.7	0.0	5.6	3.3	5.4	0.0	3.4	3.0	7.7	11.5	10.9	3.8	2.0	0.0	3.7
	3.5				4.7				3.3				5.3				