



# MINNESOTA DEPT OF TRANSPORTATION

## TRAFFIC DATA COLLECTION - METRO

loc: th 65 @ 85th ave ne 2003  
 ref pt: 010+00.410  
 data collected by: alliant eng  
 tmc: am noon pm

File Name : T.H. 65 at 85th  
 Site Code : 00000018  
 Start Date : 8/14/2003  
 Page No : 1

**Groups Printed- Unshifted**

Start Time	T.H. 65 Southbound					85th Ave. NE Westbound					T.H. 65 Northbound					85th Ave. NE Eastbound					Int. Total
	Left	Thru	Right	Peds	App. Total	Left	Thru	Right	Peds	App. Total	Left	Thru	Right	Peds	App. Total	Left	Thru	Right	Peds	App. Total	
06:00	6	328	2	0	336	34	5	0	0	39	5	52	14	0	71	3	1	7	0	11	457
06:15	13	452	4	0	469	60	4	4	0	68	4	104	3	0	111	4	4	5	0	13	661
06:30	15	582	3	0	600	84	4	7	0	95	1	119	18	0	138	1	2	11	0	14	847
06:45	23	429	4	0	456	90	1	10	1	102	5	119	15	0	139	6	3	5	0	14	711
Total	57	1791	13	0	1861	268	14	21	1	304	15	394	50	0	459	14	10	28	0	52	2676
07:00	11	528	10	0	549	63	4	14	1	82	4	113	21	0	138	4	2	7	0	13	782
07:15	20	603	2	0	625	92	3	20	0	115	0	104	29	0	133	5	5	11	0	21	894
07:30	24	556	5	0	585	83	6	13	0	102	6	139	45	0	190	6	7	9	0	22	899
07:45	37	558	4	0	599	78	3	25	1	107	4	130	37	0	171	1	7	16	0	24	901
Total	92	2245	21	0	2358	316	16	72	2	406	14	486	132	0	632	16	21	43	0	80	3476
08:00	19	410	8	0	437	68	6	21	1	96	3	154	28	0	185	3	4	8	0	15	733
08:15	23	366	5	0	394	54	6	20	0	80	4	127	36	0	167	5	6	3	0	14	655
08:30	24	314	6	0	344	58	8	24	0	90	6	173	28	0	207	4	1	7	0	12	653
08:45	23	342	7	0	372	72	3	24	0	99	8	184	25	0	217	6	3	3	0	12	700
Total	89	1432	26	0	1547	252	23	89	1	365	21	638	117	0	776	18	14	21	0	53	2741
11:00	37	226	8	0	271	44	29	14	2	89	8	227	45	0	280	4	8	9	0	21	661
11:15	28	241	9	0	278	90	14	21	0	125	13	249	54	1	317	7	5	10	1	23	743
11:30	32	239	9	0	280	92	8	24	0	124	12	252	38	0	302	2	5	13	0	20	726
11:45	18	266	4	0	288	84	4	21	1	110	14	315	63	0	392	2	8	7	0	17	807
Total	115	972	30	0	1117	310	55	80	3	448	47	1043	200	1	1291	15	26	39	1	81	2937
12:00	33	210	11	0	254	94	11	32	1	138	9	269	54	0	332	10	8	11	1	30	754
12:15	30	277	6	1	314	68	5	23	0	96	7	235	71	0	313	6	1	21	0	28	751
12:30	39	258	9	1	307	74	5	29	0	108	10	290	51	0	351	12	12	11	0	35	801
12:45	27	233	6	2	268	80	6	26	1	113	13	240	72	0	325	12	5	11	0	28	734
Total	129	978	32	4	1143	316	27	110	2	455	39	1034	248	0	1321	40	26	54	1	121	3040



# MINNESOTA DEPT OF TRANSPORTATION

## TRAFFIC DATA COLLECTION - METRO

File Name : T.H. 65 at 85th  
 Site Code : 00000018  
 Start Date : 8/14/2003  
 Page No : 2

**Groups Printed- Unshifted**

Start Time	T.H. 65 Southbound					85th Ave. NE Westbound					T.H. 65 Northbound					85th Ave. NE Eastbound					Int. Total
	Left	Thru	Right	Peds	App. Total	Left	Thru	Right	Peds	App. Total	Left	Thru	Right	Peds	App. Total	Left	Thru	Right	Peds	App. Total	
15:00	35	191	10	0	236	91	8	28	0	127	8	412	73	0	493	16	10	13	0	39	895
15:15	38	238	4	0	280	75	5	23	0	103	8	389	76	0	473	7	5	11	0	23	879
15:30	39	252	3	0	294	68	14	28	0	110	8	427	89	0	524	9	2	8	0	19	947
15:45	41	241	6	0	288	61	10	32	0	103	8	474	94	0	576	5	4	8	0	17	984
<b>Total</b>	153	922	23	0	1098	295	37	111	0	443	32	1702	332	0	2066	37	21	40	0	98	3705
16:00	31	256	10	1	298	89	13	28	0	130	12	441	100	0	553	9	6	10	0	25	1006
16:15	30	265	5	0	300	71	14	33	0	118	11	463	113	1	588	10	5	5	0	20	1026
16:30	31	248	7	0	286	86	10	31	1	128	12	499	126	4	641	6	4	9	0	19	1074
16:45	29	206	5	0	240	63	15	43	1	122	10	467	125	0	602	3	10	10	0	23	987
<b>Total</b>	121	975	27	1	1124	309	52	135	2	498	45	1870	464	5	2384	28	25	34	0	87	4093
17:00	19	222	5	0	246	67	6	29	0	102	9	510	107	0	626	9	3	4	0	16	990
17:15	31	234	4	0	269	70	13	27	0	110	13	458	86	1	558	5	6	10	1	22	959
17:30	27	250	3	0	280	60	11	23	0	94	17	489	112	1	619	9	3	7	0	19	1012
17:45	35	254	10	0	299	54	7	27	0	88	17	391	64	0	472	7	4	9	0	20	879
<b>Total</b>	112	960	22	0	1094	251	37	106	0	394	56	1848	369	2	2275	30	16	30	1	77	3840
Grand Total	868	10275	194	5	11342	2317	261	724	11	3313	269	9015	1912	8	11204	198	159	289	3	649	26508
Apprch %	7.7	90.6	1.7	0		69.9	7.9	21.9	0.3		2.4	80.5	17.1	0.1		30.5	24.5	44.5	0.5		
Total %	3.3	38.8	0.7	0	42.8	8.7	1	2.7	0	12.5	1	34	7.2	0	42.3	0.7	0.6	1.1	0	2.4	

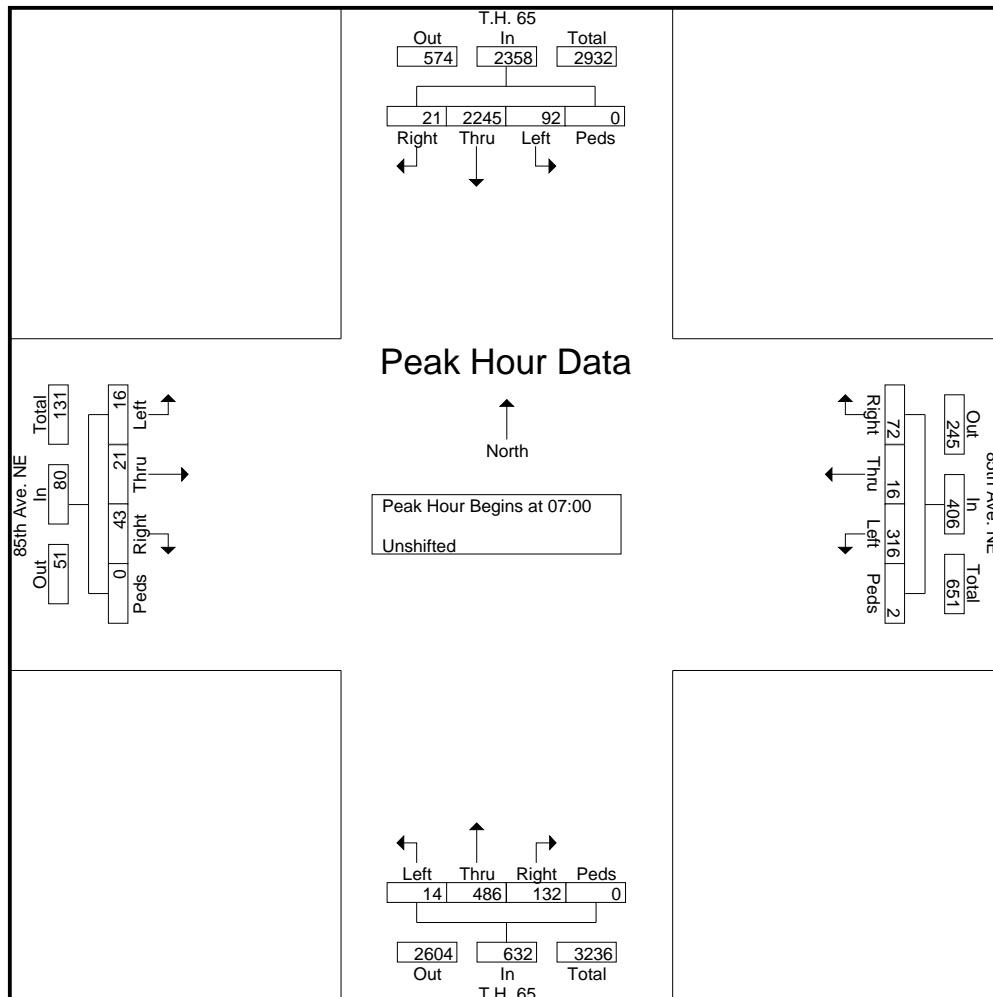


# MINNESOTA DEPT OF TRANSPORTATION

## TRAFFIC DATA COLLECTION - METRO

File Name : T.H. 65 at 85th  
 Site Code : 00000018  
 Start Date : 8/14/2003  
 Page No : 3

Start Time	T.H. 65 Southbound					85th Ave. NE Westbound					T.H. 65 Northbound					85th Ave. NE Eastbound					Int. Total
	Left	Thru	Right	Peds	App. Total	Left	Thru	Right	Peds	App. Total	Left	Thru	Right	Peds	App. Total	Left	Thru	Right	Peds	App. Total	
Peak Hour Analysis From 06:00 to 09:45 - Peak 1 of 1																					
Peak Hour for Entire Intersection Begins at 07:00																					
07:00	11	528	10	0	549	63	4	14	1	82	4	113	21	0	138	4	2	7	0	13	782
07:15	20	<b>603</b>	2	0	<b>625</b>	<b>92</b>	3	20	0	<b>115</b>	0	104	29	0	133	5	5	11	0	21	894
07:30	24	556	5	0	585	83	6	13	0	102	6	<b>139</b>	<b>45</b>	0	<b>190</b>	<b>6</b>	<b>7</b>	9	0	22	899
07:45	<b>37</b>	558	4	0	599	78	3	<b>25</b>	1	107	4	130	37	0	171	1	7	<b>16</b>	0	<b>24</b>	<b>901</b>
Total Volume	92	2245	21	0	2358	316	16	72	2	406	14	486	132	0	632	16	21	43	0	80	3476
% App. Total	3.9	95.2	0.9	0		77.8	3.9	17.7	0.5		2.2	76.9	20.9	0		20	26.2	53.8	0		
PHF	.622	.931	.525	.000	.943	.859	.667	.720	.500	.883	.583	.874	.733	.000	.832	.667	.750	.672	.000	.833	.964



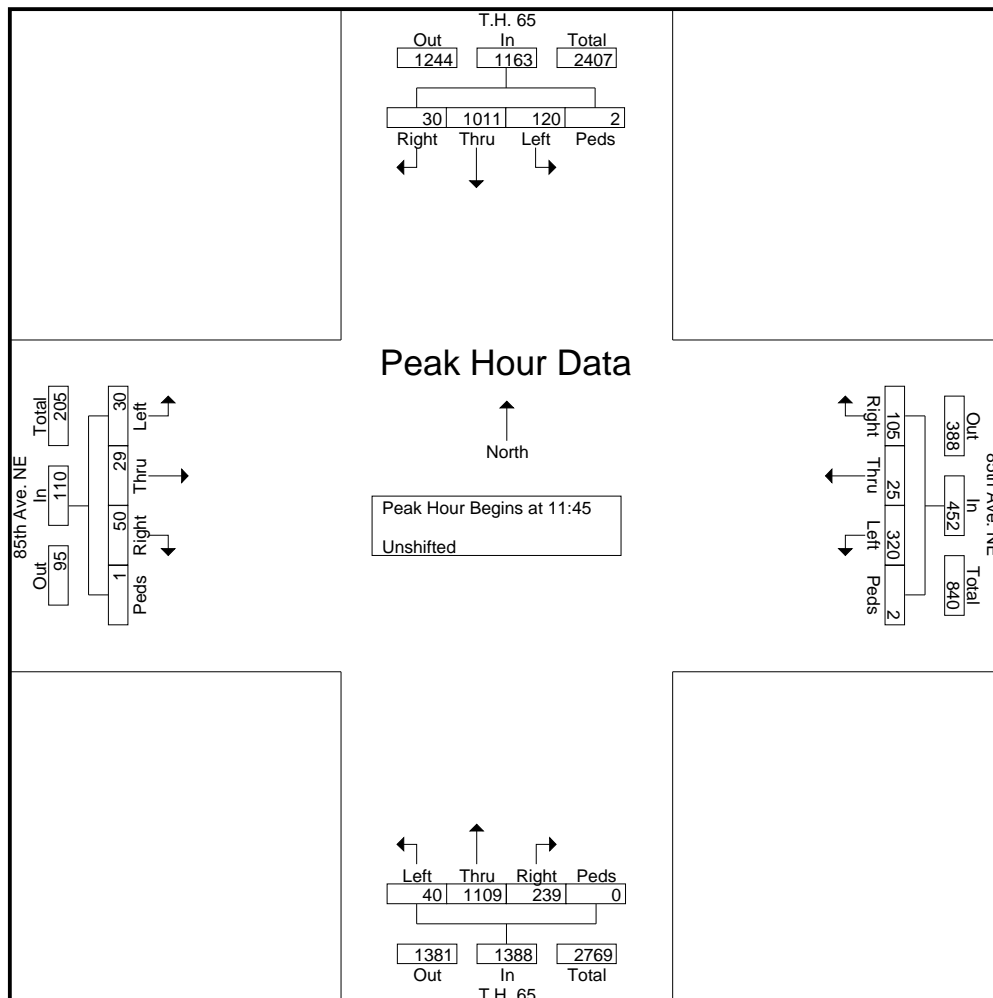


# MINNESOTA DEPT OF TRANSPORTATION

## TRAFFIC DATA COLLECTION - METRO

File Name : T.H. 65 at 85th  
 Site Code : 00000018  
 Start Date : 8/14/2003  
 Page No : 4

Start Time	T.H. 65 Southbound					85th Ave. NE Westbound					T.H. 65 Northbound					85th Ave. NE Eastbound					Int. Total
	Left	Thru	Right	Peds	App. Total	Left	Thru	Right	Peds	App. Total	Left	Thru	Right	Peds	App. Total	Left	Thru	Right	Peds	App. Total	
Peak Hour Analysis From 10:00 to 13:45 - Peak 1 of 1																					
Peak Hour for Entire Intersection Begins at 11:45																					
11:45	18	266	4	0	288	84	4	21	1	110	14	315	63	0	392	2	8	7	0	17	807
12:00	33	210	11	0	254	94	11	32	1	138	9	269	54	0	332	10	8	11	1	30	754
12:15	30	277	6	1	314	68	5	23	0	96	7	235	71	0	313	6	1	21	0	28	751
12:30	39	258	9	1	307	74	5	29	0	108	10	290	51	0	351	12	12	11	0	35	801
Total Volume	120	1011	30	2	1163	320	25	105	2	452	40	1109	239	0	1388	30	29	50	1	110	3113
% App. Total	10.3	86.9	2.6	0.2		70.8	5.5	23.2	0.4		2.9	79.9	17.2	0		27.3	26.4	45.5	0.9		
PHF	.769	.912	.682	.500	.926	.851	.568	.820	.500	.819	.714	.880	.842	.000	.885	.625	.604	.595	.250	.786	.964





# MINNESOTA DEPT OF TRANSPORTATION

## TRAFFIC DATA COLLECTION - METRO

File Name : T.H. 65 at 85th  
 Site Code : 00000018  
 Start Date : 8/14/2003  
 Page No : 5

Start Time	T.H. 65 Southbound					85th Ave. NE Westbound					T.H. 65 Northbound					85th Ave. NE Eastbound					Int. Total
	Left	Thru	Right	Peds	App. Total	Left	Thru	Right	Peds	App. Total	Left	Thru	Right	Peds	App. Total	Left	Thru	Right	Peds	App. Total	
Peak Hour Analysis From 14:00 to 17:45 - Peak 1 of 1																					
Peak Hour for Entire Intersection Begins at 16:00																					
16:00	31	256	10	1	298	89	13	28	0	130	12	441	100	0	553	9	6	10	0	25	1006
16:15	30	265	5	0	300	71	14	33	0	118	11	463	113	1	588	10	5	5	0	20	1026
16:30	31	248	7	0	286	86	10	31	1	128	12	499	126	4	641	6	4	9	0	19	1074
16:45	29	206	5	0	240	63	15	43	1	122	10	467	125	0	602	3	10	10	0	23	987
Total Volume	121	975	27	1	1124	309	52	135	2	498	45	1870	464	5	2384	28	25	34	0	87	4093
% App. Total	10.8	86.7	2.4	0.1		62	10.4	27.1	0.4		1.9	78.4	19.5	0.2		32.2	28.7	39.1	0		
PHF	.976	.920	.675	.250	.937	.868	.867	.785	.500	.958	.938	.937	.921	.313	.930	.700	.625	.850	.000	.870	.953

