



MINNESOTA DEPT OF TRANSPORTATION
TRAFFIC DATA COLLECTION - METRO

Loc: th 65 @ 89th ave. ne 2003
 ref. pt.: 010+00.896
 data collected by: alliant eng., inc.
 tmc: am, noon, pm

File Name : T.H. 65 at 89th
 Site Code : 00000019
 Start Date : 8/19/2003
 Page No : 1

Groups Printed- Unshifted

Start Time	T.H. 65 Southbound					89th Ave. NE Westbound					T.H. 65 Northbound					89th Ave. NE Eastbound					Int. Total
	Left	Thru	Right	Peds	App. Total	Left	Thru	Right	Peds	App. Total	Left	Thru	Right	Peds	App. Total	Left	Thru	Right	Peds	App. Total	
06:00	1	367	5	0	373	1	0	4	0	5	2	86	0	0	88	12	0	15	0	27	493
06:15	3	432	18	0	453	1	0	3	0	4	6	101	0	0	107	17	2	20	0	39	603
06:30	3	563	12	0	578	1	3	6	0	10	4	148	0	0	152	13	1	23	1	38	778
06:45	5	506	32	0	543	0	3	2	1	6	4	144	0	0	148	13	2	32	0	47	744
Total	12	1868	67	0	1947	3	6	15	1	25	16	479	0	0	495	55	5	90	1	151	2618
07:00	3	501	20	0	524	0	0	2	0	2	4	167	0	0	171	15	1	20	0	36	733
07:15	3	597	31	0	631	0	1	4	0	5	6	195	0	0	201	14	2	29	0	45	882
07:30	3	562	41	0	606	0	2	4	1	7	16	182	0	0	198	25	2	34	1	62	873
07:45	4	526	60	0	590	0	6	5	1	12	28	150	0	0	178	12	3	25	0	40	820
Total	13	2186	152	0	2351	0	9	15	2	26	54	694	0	0	748	66	8	108	1	183	3308
08:00	2	473	53	0	528	2	5	3	0	10	31	129	1	0	161	22	2	19	0	43	742
08:15	4	400	70	0	474	0	3	3	0	6	28	182	1	0	211	26	4	14	0	44	735
08:30	6	320	35	0	361	1	8	3	0	12	19	152	0	0	171	22	4	13	0	39	583
08:45	4	337	51	0	392	0	0	0	0	0	35	187	0	0	222	23	3	20	0	46	660
Total	16	1530	209	0	1755	3	16	9	0	28	113	650	2	0	765	93	13	66	0	172	2720
11:00	8	273	62	0	343	0	1	1	0	2	16	236	0	0	252	41	2	26	0	69	666
11:15	5	288	39	0	332	0	3	0	0	3	34	252	0	0	286	42	8	23	0	73	694
11:30	5	287	43	0	335	0	0	2	0	2	19	265	0	0	284	42	5	29	0	76	697
11:45	7	279	54	0	340	1	2	2	0	5	29	310	1	0	340	63	5	41	0	109	794
Total	25	1127	198	0	1350	1	6	5	0	12	98	1063	1	0	1162	188	20	119	0	327	2851
12:00	6	256	49	0	311	0	2	2	0	4	26	259	0	0	285	53	8	30	1	92	692
12:15	2	292	43	0	337	0	1	3	0	4	19	298	0	0	317	35	8	34	0	77	735
12:30	6	292	39	0	337	0	1	2	1	4	14	276	0	0	290	56	4	20	0	80	711
12:45	6	309	70	0	385	0	0	0	1	1	38	282	0	0	320	46	3	17	0	66	772
Total	20	1149	201	0	1370	0	4	7	2	13	97	1115	0	0	1212	190	23	101	1	315	2910
15:00	10	201	41	0	252	0	6	7	1	14	17	442	0	0	459	48	2	15	0	65	790
15:15	6	266	43	0	315	0	2	5	4	11	23	460	0	0	483	44	4	16	0	64	873
15:30	5	291	54	0	350	0	1	0	0	1	28	493	0	0	521	60	3	21	0	84	956
15:45	12	244	37	0	293	0	6	7	0	13	28	474	0	0	502	38	3	12	0	53	861
Total	33	1002	175	0	1210	0	15	19	5	39	96	1869	0	0	1965	190	12	64	0	266	3480
16:00	10	232	37	0	279	0	8	4	2	14	23	465	0	0	488	56	7	22	0	85	866
16:15	7	271	52	0	330	0	2	10	0	12	23	544	0	0	567	54	5	29	0	88	997
16:30	6	269	48	0	323	2	11	8	1	22	30	507	0	0	537	62	5	24	0	91	973
16:45	6	249	45	0	300	0	6	3	0	9	30	541	2	0	573	52	3	17	0	72	954
Total	29	1021	182	0	1232	2	27	25	3	57	106	2057	2	0	2165	224	20	92	0	336	3790
17:00	10	272	56	1	339	2	10	5	0	17	19	523	2	0	544	45	3	9	0	57	957
17:15	5	284	40	0	329	1	5	3	0	9	21	547	1	0	569	49	3	4	0	56	963
17:30	5	245	50	0	300	0	7	3	0	10	19	434	1	0	454	48	12	20	0	80	844
17:45	4	233	34	0	271	1	2	7	0	10	28	438	3	0	469	39	5	10	0	54	804
Total	24	1034	180	1	1239	4	24	18	0	46	87	1942	7	0	2036	181	23	43	0	247	3568



MINNESOTA DEPT OF TRANSPORTATION
TRAFFIC DATA COLLECTION - METRO

File Name : T.H. 65 at 89th
 Site Code : 00000019
 Start Date : 8/19/2003
 Page No : 2

Groups Printed- Unshifted

	T.H. 65 Southbound					89th Ave. NE Westbound					T.H. 65 Northbound					89th Ave. NE Eastbound					Int. Total
	Left	Thru	Right	Peds	App. Total	Left	Thru	Right	Peds	App. Total	Left	Thru	Right	Peds	App. Total	Left	Thru	Right	Peds	App. Total	
Grand Total	172	10917	1364	1	12454	13	107	113	13	246	667	9869	12	0	10548	1187	124	683	3	1997	25245
Apprch %	1.4	87.7	11	0		5.3	43.5	45.9	5.3		6.3	93.6	0.1	0		59.4	6.2	34.2	0.2		
Total %	0.7	43.2	5.4	0	49.3	0.1	0.4	0.4	0.1	1	2.6	39.1	0	0	41.8	4.7	0.5	2.7	0	7.9	

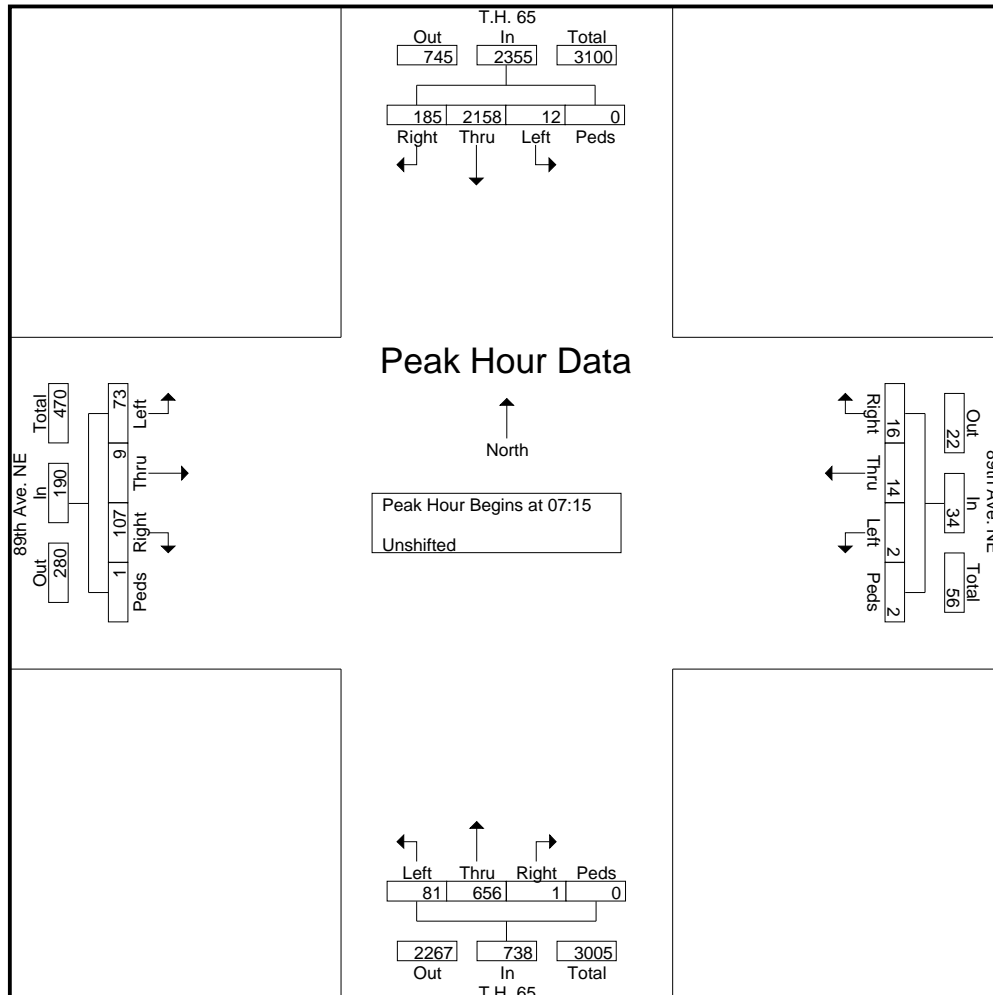


MINNESOTA DEPT OF TRANSPORTATION

TRAFFIC DATA COLLECTION - METRO

File Name : T.H. 65 at 89th
 Site Code : 00000019
 Start Date : 8/19/2003
 Page No : 3

Start Time	T.H. 65 Southbound					89th Ave. NE Westbound					T.H. 65 Northbound					89th Ave. NE Eastbound					Int. Total
	Left	Thru	Right	Peds	App. Total	Left	Thru	Right	Peds	App. Total	Left	Thru	Right	Peds	App. Total	Left	Thru	Right	Peds	App. Total	
Peak Hour Analysis From 06:00 to 08:45 - Peak 1 of 1																					
Peak Hour for Entire Intersection Begins at 07:15																					
07:15	3	597	31	0	631	0	1	4	0	5	6	195	0	0	201	14	2	29	0	45	882
07:30	3	562	41	0	606	0	2	4	1	7	16	182	0	0	198	25	2	34	1	62	873
07:45	4	526	60	0	590	0	6	5	1	12	28	150	0	0	178	12	3	25	0	40	820
08:00	2	473	53	0	528	2	5	3	0	10	31	129	1	0	161	22	2	19	0	43	742
Total Volume	12	2158	185	0	2355	2	14	16	2	34	81	656	1	0	738	73	9	107	1	190	3317
% App. Total	0.5	91.6	7.9	0		5.9	41.2	47.1	5.9		11	88.9	0.1	0		38.4	4.7	56.3	0.5		
PHF	.750	.904	.771	.000	.933	.250	.583	.800	.500	.708	.653	.841	.250	.000	.918	.730	.750	.787	.250	.766	.940



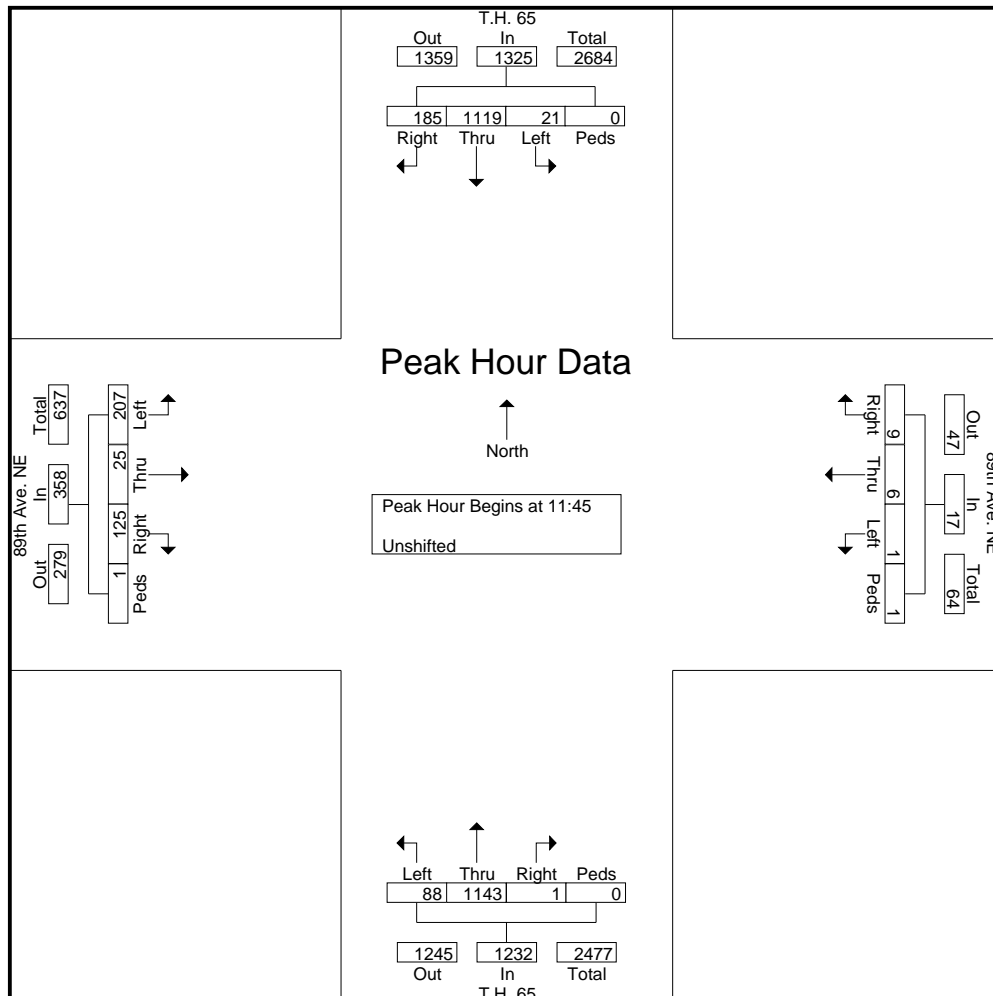


MINNESOTA DEPT OF TRANSPORTATION

TRAFFIC DATA COLLECTION - METRO

File Name : T.H. 65 at 89th
 Site Code : 00000019
 Start Date : 8/19/2003
 Page No : 4

Start Time	T.H. 65 Southbound					89th Ave. NE Westbound					T.H. 65 Northbound					89th Ave. NE Eastbound					Int. Total
	Left	Thru	Right	Peds	App. Total	Left	Thru	Right	Peds	App. Total	Left	Thru	Right	Peds	App. Total	Left	Thru	Right	Peds	App. Total	
Peak Hour Analysis From 11:00 to 12:45 - Peak 1 of 1																					
Peak Hour for Entire Intersection Begins at 11:45																					
11:45	7	279	54	0	340	1	2	2	0	5	29	310	1	0	340	63	5	41	0	109	794
12:00	6	256	49	0	311	0	2	2	0	4	26	259	0	0	285	53	8	30	1	92	692
12:15	2	292	43	0	337	0	1	3	0	4	19	298	0	0	317	35	8	34	0	77	735
12:30	6	292	39	0	337	0	1	2	1	4	14	276	0	0	290	56	4	20	0	80	711
Total Volume	21	1119	185	0	1325	1	6	9	1	17	88	1143	1	0	1232	207	25	125	1	358	2932
% App. Total	1.6	84.5	14	0		5.9	35.3	52.9	5.9		7.1	92.8	0.1	0		57.8	7	34.9	0.3		
PHF	.750	.958	.856	.000	.974	.250	.750	.750	.250	.850	.759	.922	.250	.000	.906	.821	.781	.762	.250	.821	.923





MINNESOTA DEPT OF TRANSPORTATION

TRAFFIC DATA COLLECTION - METRO

File Name : T.H. 65 at 89th
 Site Code : 00000019
 Start Date : 8/19/2003
 Page No : 5

Start Time	T.H. 65 Southbound					89th Ave. NE Westbound					T.H. 65 Northbound					89th Ave. NE Eastbound					Int. Total
	Left	Thru	Right	Peds	App. Total	Left	Thru	Right	Peds	App. Total	Left	Thru	Right	Peds	App. Total	Left	Thru	Right	Peds	App. Total	
Peak Hour Analysis From 15:00 to 17:45 - Peak 1 of 1																					
Peak Hour for Entire Intersection Begins at 16:15																					
16:15	7	271	52	0	330	0	2	10	0	12	23	544	0	0	567	54	5	29	0	88	997
16:30	6	269	48	0	323	2	11	8	1	22	30	507	0	0	537	62	5	24	0	91	973
16:45	6	249	45	0	300	0	6	3	0	9	30	541	2	0	573	52	3	17	0	72	954
17:00	10	272	56	1	339	2	10	5	0	17	19	523	2	0	544	45	3	9	0	57	957
Total Volume	29	1061	201	1	1292	4	29	26	1	60	102	2115	4	0	2221	213	16	79	0	308	3881
% App. Total	2.2	82.1	15.6	0.1		6.7	48.3	43.3	1.7		4.6	95.2	0.2	0		69.2	5.2	25.6	0		
PHF	.725	.975	.897	.250	.953	.500	.659	.650	.250	.682	.850	.972	.500	.000	.969	.859	.800	.681	.000	.846	.973

