

Alliant Engineering Inc Minneapolis, MN 55415

TH-65 at TH-10, North Ramps
Ref.Pt.: 011.119 BLAINE
data by Alliant Engineering Inc
TURN MOVEMENT COUNT

File Name : TH-65 at TH-10 north ramps 2009
Site Code : 00000012
Start Date : 1/8/2009
Page No : 1

Groups Printed- Unshifted

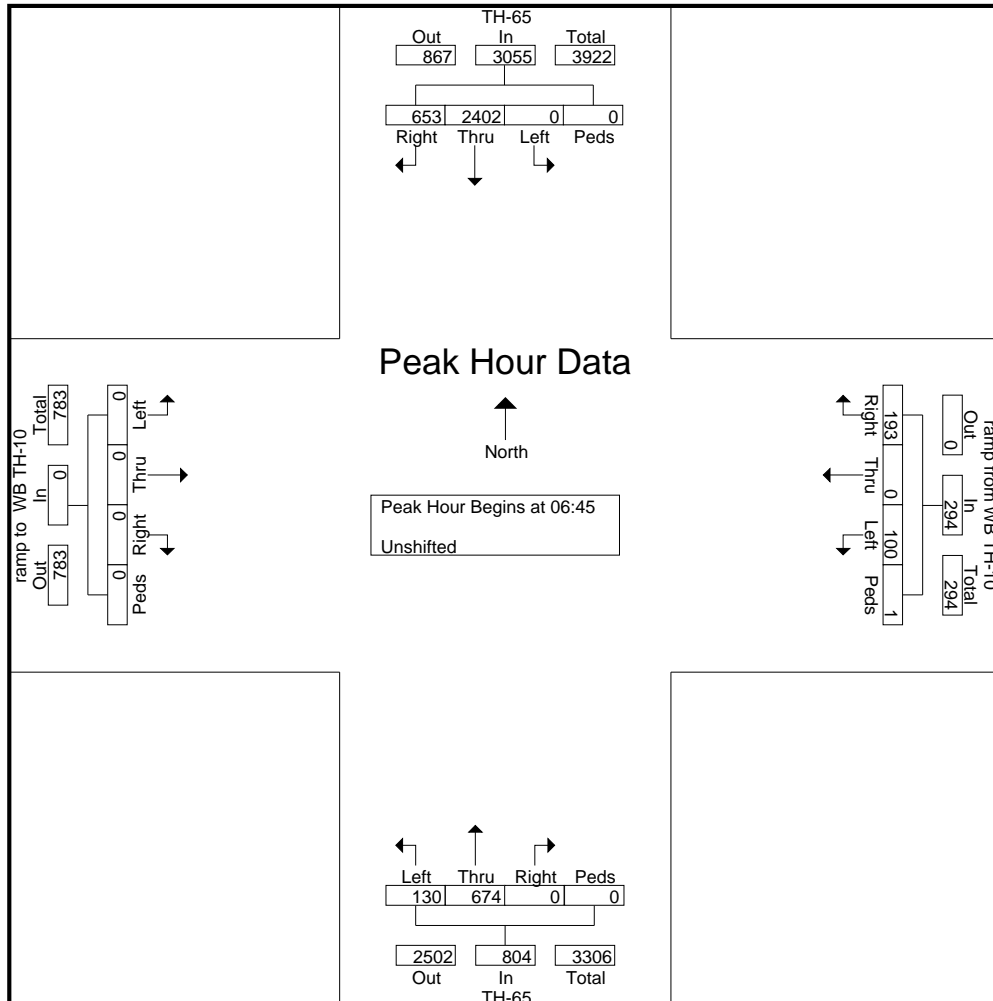
Start Time	TH-65 Southbound				ramp from WB TH-10 Westbound				TH-65 Northbound				ramp to WB TH-10 Eastbound				Int. Total	
	Left	Thru	Right	Peds	Left	Thru	Right	Peds	Left	Thru	Right	Peds	Left	Thru	Right	Peds		
06:00	0	528	134	0	14	1	18	0	11	83	0	0	0	0	0	0	0	789
06:15	0	597	165	13	6	0	34	0	16	103	0	0	0	0	0	0	0	934
06:30	0	657	176	0	3	0	47	0	22	123	0	0	0	0	0	0	0	1028
06:45	0	611	169	0	24	0	42	0	15	162	0	0	0	0	0	0	0	1023
Total	0	2393	644	13	47	1	141	0	64	471	0	0	0	0	0	0	0	3774
07:00	0	645	161	0	16	0	50	0	36	153	0	0	0	0	0	0	0	1061
07:15	0	573	161	0	26	0	51	1	40	166	0	0	0	0	0	0	0	1018
07:30	0	573	162	0	34	0	50	0	39	193	0	0	0	0	0	0	0	1051
07:45	0	500	152	0	36	0	57	0	38	219	0	0	0	0	0	0	0	1002
Total	0	2291	636	0	112	0	208	1	153	731	0	0	0	0	0	0	0	4132
08:00	0	450	136	0	24	0	58	0	55	163	0	0	0	0	0	0	0	886
08:15	0	379	132	0	22	0	48	0	42	209	1	0	0	0	0	0	0	833
08:30	0	400	131	0	20	0	59	0	32	189	0	0	0	0	0	0	0	831
08:45	0	375	108	0	27	0	62	0	32	192	0	0	0	0	0	0	0	796
Total	0	1604	507	0	93	0	227	0	161	753	1	0	0	0	0	0	0	3346
09:00	0	329	104	0	18	0	49	0	35	177	2	0	0	0	0	0	0	714
09:15	0	312	99	0	19	0	51	0	33	209	0	0	0	0	0	0	0	723
*** BREAK ***																		
Total	0	641	203	0	37	0	100	0	68	386	2	0	0	0	0	0	0	1437
*** BREAK ***																		
10:30	0	236	90	0	37	0	64	0	29	196	0	0	0	0	0	0	0	652
10:45	0	236	89	0	20	0	68	0	32	242	0	0	0	0	0	0	0	687
Total	0	472	179	0	57	0	132	0	61	438	0	0	0	0	0	0	0	1339
11:00	0	251	100	0	31	1	71	0	33	250	0	0	0	0	0	0	0	737
11:15	0	254	92	0	37	0	88	0	26	298	0	0	0	0	0	0	0	795
11:30	0	265	78	0	22	2	75	0	31	296	0	0	0	0	0	0	0	769
11:45	0	284	87	0	29	0	85	0	40	324	0	0	0	0	0	0	0	849
Total	0	1054	357	0	119	3	319	0	130	1168	0	0	0	0	0	0	0	3150
12:00	0	239	92	0	28	1	93	0	52	320	0	0	0	0	0	0	0	825
12:15	0	265	95	0	25	0	91	0	49	327	0	0	0	0	0	0	0	852
12:30	0	313	99	0	26	0	79	0	39	295	0	0	0	0	0	0	0	851
12:45	0	296	99	0	19	0	90	0	48	312	0	0	0	0	0	0	0	864
Total	0	1113	385	0	98	1	353	0	188	1254	0	0	0	0	0	0	0	3392
13:00	0	251	99	0	25	0	91	0	39	300	0	0	0	0	0	0	0	805
13:15	0	289	129	0	21	0	87	0	38	295	0	0	0	0	0	0	0	859
*** BREAK ***																		
Total	0	540	228	0	46	0	178	0	77	595	0	0	0	0	0	0	0	1664
*** BREAK ***																		
14:30	0	276	88	0	32	0	118	0	71	414	0	0	0	0	0	0	0	999
14:45	0	285	114	0	27	0	109	0	65	488	0	0	0	0	0	0	0	1088
Total	0	561	202	0	59	0	227	0	136	902	0	0	0	0	0	0	0	2087
15:00	0	259	101	0	33	0	136	0	80	491	0	0	0	0	0	0	0	1100
15:15	0	272	94	0	24	0	145	0	94	532	0	0	0	0	0	0	1	1162
15:30	0	285	116	0	38	0	162	0	109	529	0	0	0	0	0	0	0	1239
15:45	0	254	99	0	33	0	153	0	97	593	0	0	0	0	0	0	0	1229
Total	0	1070	410	0	128	0	596	0	380	2145	0	0	0	0	0	0	1	4730

Alliant Engineering Inc Minneapolis, MN 55415

TH-65 at TH-10, North Ramps
 Ref.Pt.: 011.119 BLAINE
 data by Alliant Engineering Inc
 TURN MOVEMENT COUNT

File Name : TH-65 at TH-10 north ramps 2009
 Site Code : 00000012
 Start Date : 1/8/2009
 Page No : 3

Start Time	TH-65 Southbound					ramp from WB TH-10 Westbound					TH-65 Northbound					ramp to WB TH-10 Eastbound					Int. Total
	Left	Thru	Right	Peds	App. Total	Left	Thru	Right	Peds	App. Total	Left	Thru	Right	Peds	App. Total	Left	Thru	Right	Peds	App. Total	
Peak Hour Analysis From 06:00 to 08:45 - Peak 1 of 1																					
Peak Hour for Entire Intersection Begins at 06:45																					
06:45	0	611	169	0	780	24	0	42	0	66	15	162	0	0	177	0	0	0	0	0	1023
07:00	0	645	161	0	806	16	0	50	0	66	36	153	0	0	189	0	0	0	0	0	1061
07:15	0	573	161	0	734	26	0	51	1	78	40	166	0	0	206	0	0	0	0	0	1018
07:30	0	573	162	0	735	34	0	50	0	84	39	193	0	0	232	0	0	0	0	0	1051
Total Volume	0	2402	653	0	3055	100	0	193	1	294	130	674	0	0	804	0	0	0	0	0	4153
% App. Total	0	78.6	21.4	0		34	0	65.6	0.3		16.2	83.8	0	0		0	0	0	0		
PHF	.000	.931	.966	.000	.948	.735	.000	.946	.250	.875	.813	.873	.000	.000	.866	.000	.000	.000	.000	.000	.979



Alliant Engineering Inc Minneapolis, MN 55415

TH-65 at TH-10, North Ramps
Ref.Pt.: 011.119 BLAINE
data by Alliant Engineering Inc
TURN MOVEMENT COUNT

File Name : TH-65 at TH-10 north ramps 2009
Site Code : 00000012
Start Date : 1/8/2009
Page No : 4

Start Time	TH-65 Southbound					ramp from WB TH-10 Westbound					TH-65 Northbound					ramp to WB TH-10 Eastbound					Int. Total
	Left	Thru	Right	Peds	App. Total	Left	Thru	Right	Peds	App. Total	Left	Thru	Right	Peds	App. Total	Left	Thru	Right	Peds	App. Total	
Peak Hour Analysis From 15:00 to 17:45 - Peak 1 of 1																					
Peak Hour for Entire Intersection Begins at 16:45																					
16:45	0	274	121	0	395	36	0	157	0	193	96	611	0	0	707	0	0	0	0	0	1295
17:00	0	288	133	0	421	30	0	128	0	158	80	631	0	0	711	0	0	0	0	0	1290
17:15	0	274	110	0	384	26	0	179	0	205	109	608	0	0	717	0	0	0	0	0	1306
17:30	0	265	113	1	379	24	0	154	0	178	74	665	0	0	739	0	0	0	0	0	1296
Total Volume	0	1101	477	1	1579	116	0	618	0	734	359	2515	0	0	2874	0	0	0	0	0	5187
% App. Total	0	69.7	30.2	0.1		15.8	0	84.2	0		12.5	87.5	0	0		0	0	0	0	0	
PHF	.000	.956	.897	.250	.938	.806	.000	.863	.000	.895	.823	.945	.000	.000	.972	.000	.000	.000	.000	.000	.993

