

Location: TH 65 at 93rd Lane/Cloverleaf Parkway
 Count Date: 4/11/2017
 Counted By: JDA



TURNING MOVEMENT COUNT DATA
 All Vehicles

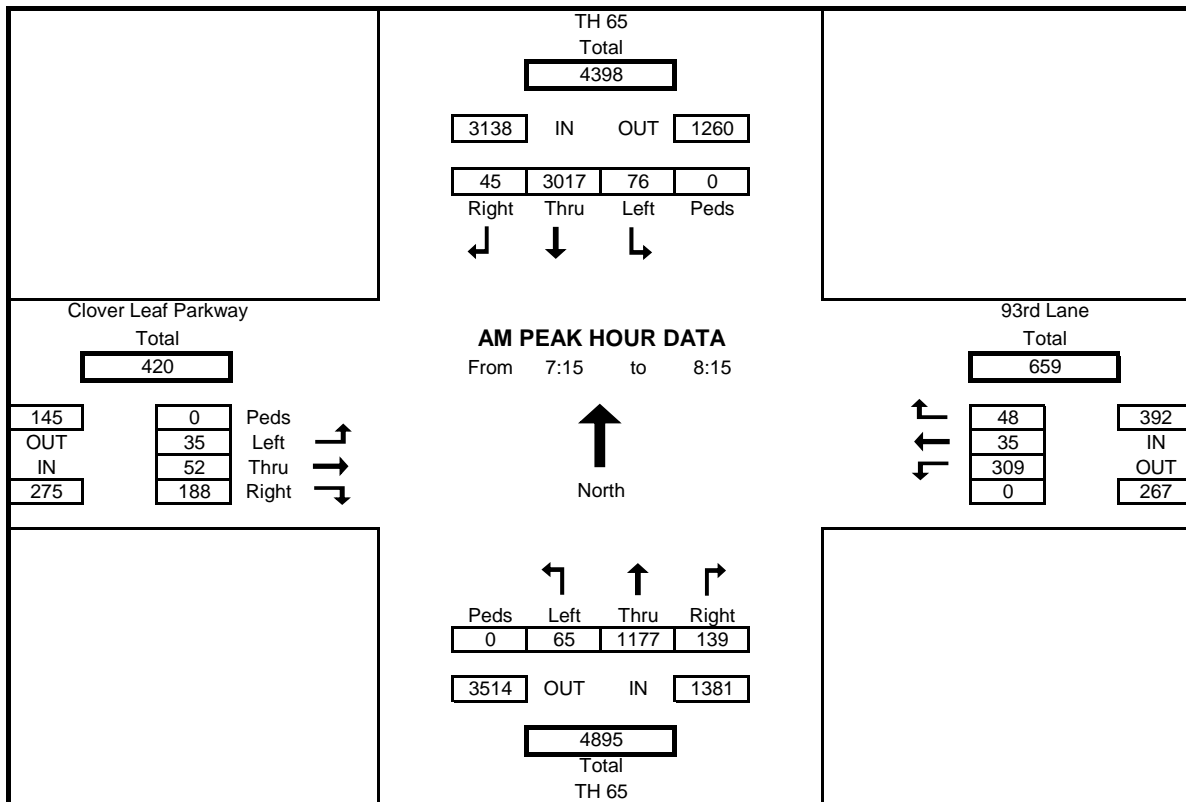
Start Time	TH 65				93rd Lane				TH 65				Clover Leaf Parkway				Int. Total
	Southbound				Westbound				Northbound				Eastbound				
	Left	Thru	Right	Peds	Left	Thru	Right	Peds	Left	Thru	Right	Peds	Left	Thru	Right	Peds	
6:00	16	707	0	0	17	1	4	0	4	121	14	0	2	8	40	0	934
6:15	14	756	2	0	33	2	13	0	5	161	22	0	1	17	64	0	1090
6:30	16	727	3	0	32	3	11	0	20	233	29	0	0	11	52	0	1137
6:45	19	834	0	0	42	8	3	0	17	254	39	0	4	16	41	0	1277
7:00	19	700	3	0	43	5	10	0	13	263	37	0	4	17	59	0	1173
7:15	11	854	8	0	94	11	12	0	22	277	17	0	4	15	61	0	1386
7:30	18	729	6	0	92	8	5	0	10	256	29	0	15	16	53	0	1237
7:45	37	692	8	0	66	10	17	0	15	352	57	0	9	15	39	0	1317
8:00	10	742	23	0	57	6	14	0	18	292	36	0	7	6	35	0	1246
8:15	7	574	25	0	34	11	16	0	10	300	29	0	9	13	40	0	1068
8:30	8	614	21	0	55	9	10	0	14	257	29	0	8	11	43	0	1079
8:45	11	496	5	1	41	9	15	1	8	306	55	0	9	6	34	0	995
9:00	10	513	7	0	25	5	13	0	26	307	39	0	7	6	33	0	991
9:15	14	467	10	0	36	7	18	0	17	297	32	0	5	4	27	0	934
9:30	14	448	12	0	36	10	18	0	9	285	42	0	10	7	36	0	927
9:45	8	383	7	0	53	8	16	0	19	323	52	0	6	5	27	0	907
10:00	7	332	10	0	56	7	14	0	16	271	39	1	8	8	21	0	789
10:15	3	400	17	0	39	12	20	0	11	318	34	0	4	7	18	0	883
10:30	12	353	11	0	33	7	26	0	30	299	37	0	10	11	32	0	861
10:45	8	366	8	0	26	8	24	0	18	362	52	0	6	6	17	0	901
11:00	9	374	13	0	45	10	24	0	13	303	48	0	10	4	44	0	897
11:15	15	354	14	0	29	11	29	0	15	340	44	0	13	10	21	0	895
11:30	7	399	15	0	46	17	34	0	17	356	79	0	7	15	29	0	1021
11:45	12	356	13	0	45	13	40	0	13	358	52	0	11	14	26	0	953
12:00	9	352	17	0	44	15	44	0	28	375	74	1	15	6	29	0	1008
12:15	7	410	19	0	48	9	30	0	28	361	61	0	27	16	62	0	1078
12:30	11	394	11	0	46	11	27	0	21	384	51	0	10	15	32	0	1013
12:45	14	387	17	0	49	14	30	0	29	398	65	0	14	8	38	0	1063
13:00	7	370	16	0	48	7	23	0	30	354	46	0	16	7	39	0	963
13:15	4	389	10	0	37	9	17	0	22	426	79	0	17	4	31	0	1045
13:30	8	394	13	0	35	12	23	0	25	375	70	0	10	14	29	0	1008
13:45	8	352	11	0	60	14	27	0	20	418	56	0	8	13	30	0	1017
14:00	7	397	14	0	36	6	26	0	25	458	65	0	9	8	33	0	1084
14:15	10	355	16	0	59	15	28	0	29	541	54	0	14	10	52	0	1183
14:30	12	387	7	0	48	9	37	0	18	521	101	0	11	7	35	0	1193
14:45	7	352	18	0	57	25	22	0	25	657	116	0	18	11	30	0	1338
15:00	19	380	6	0	52	17	30	0	23	539	132	0	13	8	37	0	1256
15:15	10	281	11	0	40	18	28	0	35	681	108	0	8	13	34	0	1267
15:30	8	440	8	0	64	30	39	0	27	580	105	0	17	10	45	0	1373
15:45	7	353	19	0	46	25	21	0	41	636	156	0	15	14	32	0	1365
16:00	9	414	14	0	47	28	27	0	40	593	123	0	8	20	47	1	1370
16:15	5	423	4	0	41	25	30	1	24	588	114	0	10	10	42	0	1316
16:30	5	379	12	0	41	18	26	1	32	658	146	1	13	6	48	0	1384
16:45	19	485	14	1	53	31	35	1	40	595	137	1	12	7	40	0	1468
17:00	16	380	12	0	55	32	29	0	27	629	140	0	23	15	58	0	1416
17:15	10	360	12	0	53	30	27	0	27	599	156	0	11	18	37	0	1340
17:30	8	414	5	0	53	29	23	0	29	613	145	0	4	8	26	0	1357
17:45	12	279	13	1	31	22	19	1	38	680	154	0	5	15	31	0	1299
18:00	10	436	7	0	43	29	24	0	46	526	102	0	8	13	25	0	1269
18:15	15	351	6	0	30	15	24	0	29	554	73	0	23	13	28	0	1161
18:30	11	290	13	0	37	14	21	0	38	556	71	0	12	5	32	0	1100
18:45	14	333	12	0	37	17	15	0	47	488	55	0	14	8	25	0	1065
Total	587	23707	578	3	2365	724	1158	5	1203	21674	3698	4	534	550	1919	1	58697
Cars+	572	22879	542	1	2221	706	1103	5	1174	20851	3505	3	505	536	1875	1	56469
Trucks	15	828	36	2	144	18	55	0	29	823	193	1	29	14	44	0	2228
% Trucks	2.6	3.6	6.6	200.0	6.5	2.5	5.0	0.0	2.5	3.9	5.5	33.3	5.7	2.6	2.3	0.0	3.9
		3.7				5.4				4.1				3.0			

Location: TH 65 at 93rd Lane/Cloverleaf Parkway
 Count Date: 4/11/2017
 Counted By: JDA



AM PEAK HOUR TURNING MOVEMENT DATA
 All Vehicles

Start Time	TH 65				93rd Lane				TH 65				Clover Leaf Parkway				Int. Total
	Southbound				Westbound				Northbound				Eastbound				
	Left	Thru	Right	Peds	Left	Thru	Right	Peds	Left	Thru	Right	Peds	Left	Thru	Right	Peds	
7:15	11	854	8	0	94	11	12	0	22	277	17	0	4	15	61	0	1386
7:30	18	729	6	0	92	8	5	0	10	256	29	0	15	16	53	0	1237
7:45	37	692	8	0	66	10	17	0	15	352	57	0	9	15	39	0	1317
8:00	10	742	23	0	57	6	14	0	18	292	36	0	7	6	35	0	1246
Total	76	3017	45	0	309	35	48	0	65	1177	139	0	35	52	188	0	5186
% App. Total	2.4	96.1	1.4	0.0	9.8	1.1	1.5	0.0	2.1	37.5	4.4	0.0	1.1	1.7	6.0	0.0	
PHF	0.514	0.883	0.489	0.000	0.822	0.795	0.706	0.000	0.739	0.836	0.610	0.000	0.583	0.813	0.770	0.000	0.935
% Trucks	5.6	2.5	4.7	0.0	5.5	20.7	14.3	0.0	4.8	5.6	9.4	0.0	34.6	2.0	1.6	0.0	3.9
	2.6				7.7				5.9				5.0				

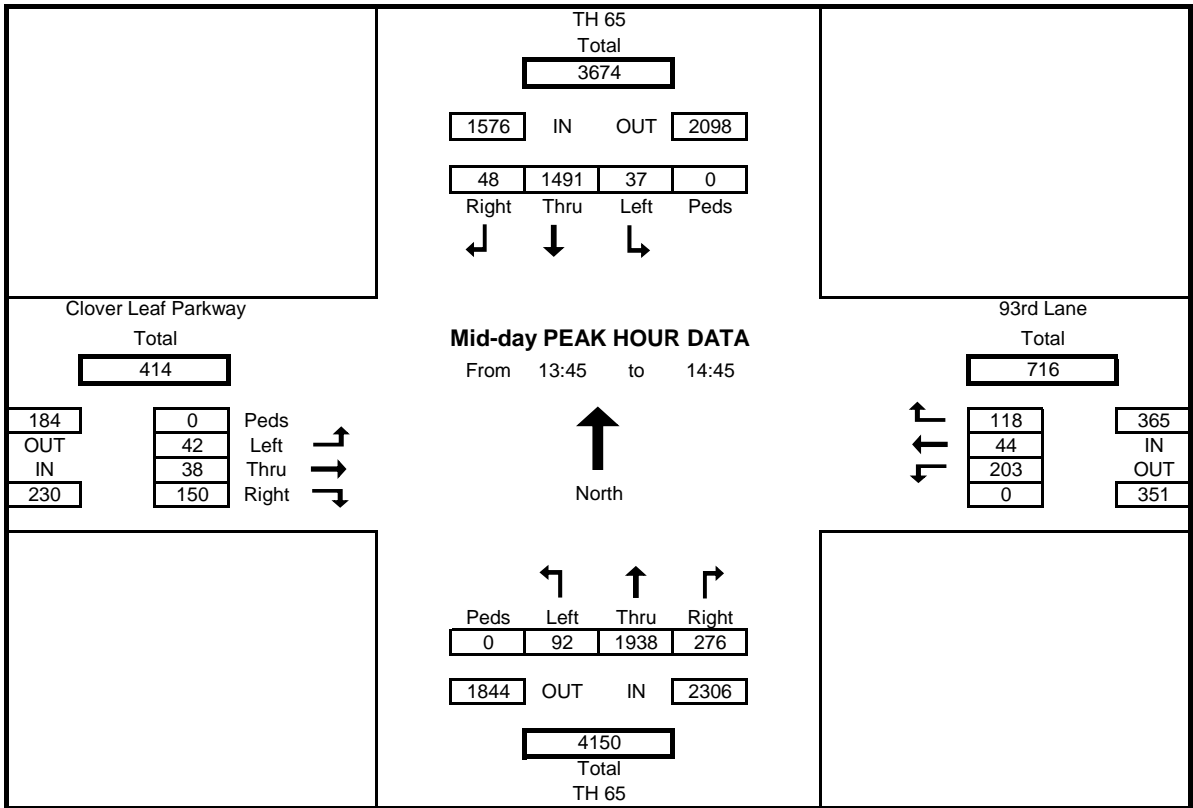


Location: TH 65 at 93rd Lane/Cloverleaf Parkway
 Count Date: 4/11/2017
 Counted By: JDA



Mid-Day PEAK HOUR TURNING MOVEMENT DATA
 All Vehicles

Start Time	TH 65				93rd Lane				TH 65				Clover Leaf Parkway				Int. Total
	Southbound				Westbound				Northbound				Eastbound				
	Left	Thru	Right	Peds	Left	Thru	Right	Peds	Left	Thru	Right	Peds	Left	Thru	Right	Peds	
13:45	8	352	11	0	60	14	27	0	20	418	56	0	8	13	30	0	1017
14:00	7	397	14	0	36	6	26	0	25	458	65	0	9	8	33	0	1084
14:15	10	355	16	0	59	15	28	0	29	541	54	0	14	10	52	0	1183
14:30	12	387	7	0	48	9	37	0	18	521	101	0	11	7	35	0	1193
Total	37	1491	48	0	203	44	118	0	92	1938	276	0	42	38	150	0	4477
% App. Total	2.3	94.6	3.0	0.0	12.9	2.8	7.5	0.0	5.8	123.0	17.5	0.0	2.7	2.4	9.5	0.0	
PHF	0.771	0.939	0.750	0.000	0.846	0.733	0.797	0.000	0.793	0.896	0.683	0.000	0.750	0.731	0.721	0.000	0.938
% Trucks	0.0	4.6	20.0	0.0	10.3	2.3	2.6	0.0	2.2	4.7	6.6	0.0	5.0	11.8	1.4	0.0	4.9
		4.9			6.7				4.8				3.6				



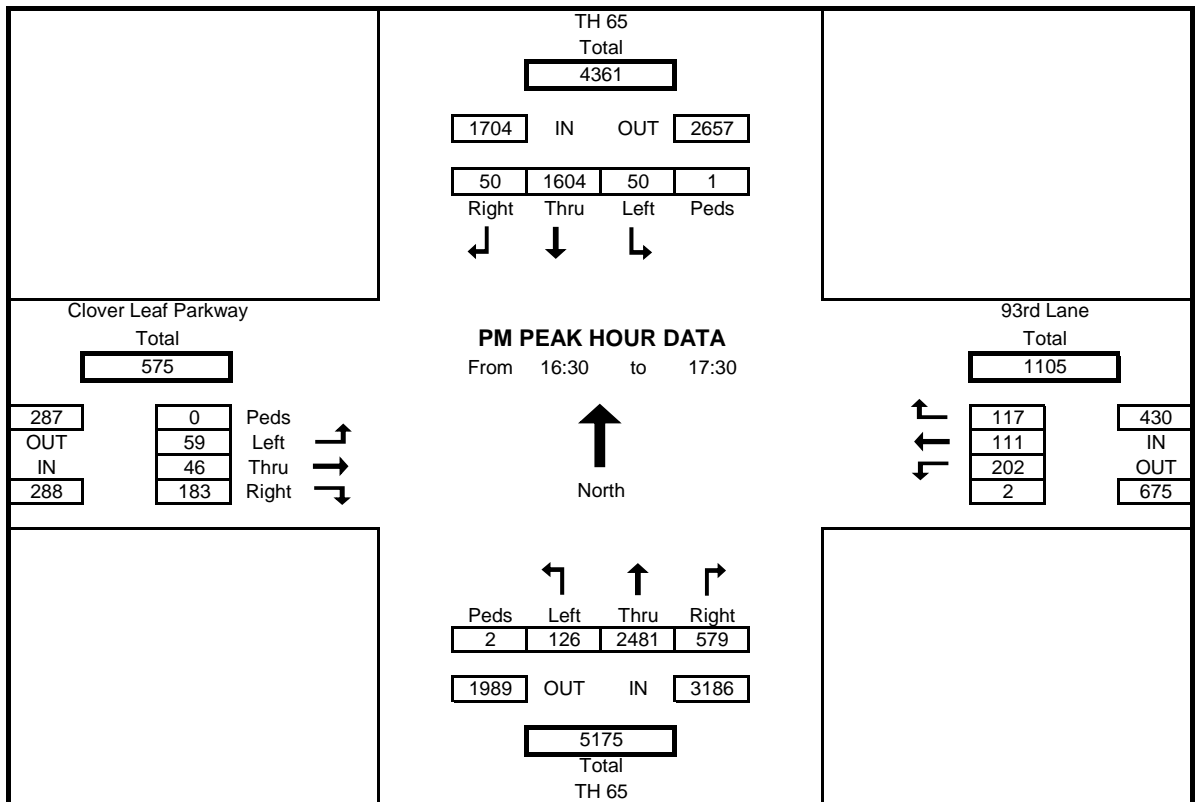
Location: TH 65 at 93rd Lane/Cloverleaf Parkway
 Count Date: 4/11/2017
 Counted By: JDA



AM PEAK HOUR TURNING MOVEMENT DATA
 All Vehicles

Start Time	TH 65				93rd Lane				TH 65				Clover Leaf Parkway				Int. Total
	Southbound				Westbound				Northbound				Eastbound				
	Left	Thru	Right	Peds	Left	Thru	Right	Peds	Left	Thru	Right	Peds	Left	Thru	Right	Peds	
16:30	5	379	12	0	41	18	26	1	32	658	146	1	13	6	48	0	1384
16:45	19	485	14	1	53	31	35	1	40	595	137	1	12	7	40	0	1468
17:00	16	380	12	0	55	32	29	0	27	629	140	0	23	15	58	0	1416
17:15	10	360	12	0	53	30	27	0	27	599	156	0	11	18	37	0	1340
Total	50	1604	50	1	202	111	117	2	126	2481	579	2	59	46	183	0	5608
% App. Total	2.9	94.1	2.9	0.1	11.8	6.5	6.9	0.1	7.4	145.5	34.0	0.1	3.5	2.7	10.7	0.0	
PHF	0.658	0.827	0.893	0.250	0.918	0.867	0.836	0.500	0.788	0.943	0.928	0.500	0.641	0.639	0.789	0.000	0.955

% Trucks	0.0	1.8	2.0	#DIV/0!	2.0	1.8	1.7	0.0	1.6	1.6	1.0	100.0	1.7	0.0	2.2	0.0	1.6
		1.7				1.9				1.5				1.8			



Location: TH 65 at 93rd Lane/Cloverleaf Parkway
 Count Date: 4/11/2017
 Counted By: JDA



TURNING MOVEMENT COUNT DATA

Cars+

Start Time	TH 65				93rd Lane				TH 65				Clover Leaf Parkway				Int. Total
	Southbound				Westbound				Northbound				Eastbound				
	Left	Thru	Right	Peds	Left	Thru	Right	Peds	Left	Thru	Right	Peds	Left	Thru	Right	Peds	
6:00	16	689	0	0	15	1	3	0	4	118	13	0	2	8	40	0	909
6:15	14	740	2	0	33	2	12	0	3	153	21	0	1	17	63	0	1061
6:30	16	708	3	0	29	3	9	0	18	223	28	0	0	11	52	0	1100
6:45	19	822	0	0	42	6	3	0	17	244	38	0	4	16	40	0	1251
7:00	18	688	2	0	42	5	8	0	12	247	33	0	4	17	56	0	1132
7:15	10	839	8	0	88	10	11	0	21	265	16	0	2	15	61	0	1346
7:30	18	709	6	0	89	6	3	0	9	241	27	0	10	16	52	0	1186
7:45	37	669	8	0	63	7	16	0	15	334	53	0	8	14	39	0	1263
8:00	7	727	21	0	53	6	12	0	17	275	31	0	6	6	33	0	1194
8:15	7	557	25	0	33	10	15	0	9	286	27	0	4	11	39	0	1023
8:30	8	596	19	0	50	9	8	0	14	242	26	0	8	11	42	0	1033
8:45	11	465	4	1	38	8	13	1	8	287	48	0	8	6	34	0	930
9:00	10	491	6	0	22	5	11	0	26	288	34	0	6	6	33	0	938
9:15	14	443	8	0	31	7	16	0	17	277	28	0	5	4	26	0	876
9:30	14	435	11	0	30	10	16	0	9	267	32	0	10	7	35	0	876
9:45	8	370	7	0	46	8	14	0	19	304	46	0	6	5	27	0	860
10:00	7	308	10	0	52	7	14	0	15	249	32	1	8	8	21	0	731
10:15	3	383	17	0	34	12	19	0	11	298	28	0	4	7	18	0	834
10:30	11	338	11	0	27	6	24	0	30	281	31	0	10	11	30	0	810
10:45	8	336	8	0	24	8	21	0	17	339	50	0	6	6	17	0	840
11:00	9	348	13	0	41	10	24	0	12	290	43	0	10	4	41	0	845
11:15	13	328	14	0	26	11	28	0	14	322	40	0	12	10	21	0	839
11:30	7	387	13	0	44	17	32	0	17	337	72	0	7	14	28	0	975
11:45	11	334	11	0	42	13	37	0	13	345	46	0	11	14	24	0	901
12:00	9	338	16	0	41	15	42	0	25	343	66	1	15	6	28	0	944
12:15	7	389	18	0	42	9	28	0	26	337	58	0	27	16	59	0	1016
12:30	11	374	11	0	42	11	26	0	20	363	47	0	10	14	32	0	961
12:45	13	368	16	0	41	13	30	0	28	378	59	0	14	8	37	0	1005
13:00	7	349	16	0	47	6	21	0	29	334	43	0	16	7	38	0	913
13:15	4	372	9	0	34	9	16	0	21	399	76	0	15	4	30	0	989
13:30	7	373	10	0	35	12	23	0	24	364	64	0	9	14	27	0	962
13:45	8	335	8	0	55	14	26	0	19	398	54	0	8	11	30	0	966
14:00	7	384	12	0	32	5	25	0	25	436	62	0	9	7	32	0	1036
14:15	10	340	14	0	54	15	28	0	28	520	50	0	13	9	51	0	1132
14:30	12	367	6	0	43	9	36	0	18	497	93	0	10	7	35	0	1133
14:45	6	337	17	0	55	25	22	0	25	636	114	0	14	10	27	0	1288
15:00	17	366	6	0	49	17	27	0	23	514	126	0	13	8	37	0	1203
15:15	10	276	11	0	39	18	28	0	35	659	104	0	8	13	32	0	1233
15:30	7	418	7	0	63	30	39	0	26	567	103	0	16	9	45	0	1330
15:45	7	336	18	0	42	25	21	0	41	621	153	0	15	13	31	0	1323
16:00	9	401	14	0	47	28	27	0	39	583	116	0	8	20	45	1	1337
16:15	5	409	4	0	40	25	30	1	24	582	113	0	9	9	41	0	1291
16:30	5	371	11	0	37	18	26	1	32	651	144	0	12	6	47	0	1360
16:45	19	476	14	0	53	30	35	1	39	586	136	1	12	7	39	0	1446
17:00	16	375	12	0	55	31	28	0	27	620	138	0	23	15	57	0	1397
17:15	10	354	12	0	53	30	26	0	26	584	155	0	11	18	36	0	1315
17:30	8	405	3	0	52	29	22	0	29	605	144	0	4	7	26	0	1334
17:45	12	273	12	0	31	21	19	1	38	670	150	0	5	15	31	0	1277
18:00	10	428	7	0	43	28	24	0	46	521	101	0	8	13	25	0	1254
18:15	15	342	6	0	29	15	23	0	29	543	72	0	23	13	28	0	1138
18:30	11	284	13	0	37	14	21	0	38	551	69	0	12	5	32	0	1087
18:45	14	329	12	0	36	17	15	0	47	477	52	0	14	8	25	0	1046
Total	572	22879	542	1	2221	706	1103	5	1174	20851	3505	3	505	536	1875	1	56469
Cars+	572	22879	542	1	2221	706	1103	5	1174	20851	3505	3	505	536	1875	1	56469
Trucks	15	828	36	2	144	18	55	0	29	823	193	1	29	14	44	0	2228
% Trucks	2.6	3.6	6.6	200.0	6.5	2.5	5.0	0.0	2.5	3.9	5.5	33.3	5.7	2.6	2.3	0.0	3.9
			3.7				5.4				4.1				3.0		

Location: TH 65 at 93rd Lane/Cloverleaf Parkway
 Count Date: 4/11/2017
 Counted By: JDA



TURNING MOVEMENT COUNT DATA
Heavy Vehicles

Start Time	TH 65				93rd Lane				TH 65				Clover Leaf Parkway				Int. Total
	Southbound				Westbound				Northbound				Eastbound				
	Left	Thru	Right	Bikes	Left	Thru	Right	Bikes	Left	Thru	Right	Bikes	Left	Thru	Right	Bikes	
6:00	0	18	0	0	2	0	1	0	0	3	1	0	0	0	0	0	25
6:15	0	16	0	0	0	0	1	0	2	8	1	0	0	0	1	0	29
6:30	0	19	0	0	3	0	2	0	2	10	1	0	0	0	0	0	37
6:45	0	12	0	0	0	2	0	0	0	10	1	0	0	0	1	0	26
7:00	1	12	1	0	1	0	2	0	1	16	4	0	0	0	3	0	41
7:15	1	15	0	0	6	1	1	0	1	12	1	0	2	0	0	0	40
7:30	0	20	0	0	3	2	2	0	1	15	2	0	5	0	1	0	51
7:45	0	23	0	0	3	3	1	0	0	18	4	0	1	1	0	0	54
8:00	3	15	2	0	4	0	2	0	1	17	5	0	1	0	2	0	52
8:15	0	17	0	0	1	1	1	0	1	14	2	0	5	2	1	0	45
8:30	0	18	2	0	5	0	2	0	0	15	3	0	0	0	1	0	46
8:45	0	31	1	0	3	1	2	0	0	19	7	0	1	0	0	0	65
9:00	0	22	1	0	3	0	2	0	0	19	5	0	1	0	0	0	53
9:15	0	24	2	0	5	0	2	0	0	20	4	0	0	0	1	0	58
9:30	0	13	1	0	6	0	2	0	0	18	10	0	0	0	1	0	51
9:45	0	13	0	0	7	0	2	0	0	19	6	0	0	0	0	0	47
10:00	0	24	0	0	4	0	0	0	1	22	7	0	0	0	0	0	58
10:15	0	17	0	0	5	0	1	0	0	20	6	0	0	0	0	0	49
10:30	1	15	0	0	6	1	2	0	0	18	6	0	0	0	2	0	51
10:45	0	30	0	0	2	0	3	0	1	23	2	0	0	0	0	0	61
11:00	0	26	0	0	4	0	0	0	1	13	5	0	0	0	3	0	52
11:15	2	26	0	0	3	0	1	0	1	18	4	0	1	0	0	0	56
11:30	0	12	2	0	2	0	2	0	0	19	7	0	0	1	1	0	46
11:45	1	22	2	0	3	0	3	0	0	13	6	0	0	0	2	0	52
12:00	0	14	1	0	3	0	2	0	3	32	8	0	0	0	1	0	64
12:15	0	21	1	0	6	0	2	0	2	24	3	0	0	0	3	0	62
12:30	0	20	0	0	4	0	1	0	1	21	4	0	0	1	0	0	52
12:45	1	19	1	0	8	1	0	0	1	20	6	0	0	0	1	0	58
13:00	0	21	0	0	1	1	2	0	1	20	3	0	0	0	1	0	50
13:15	0	17	1	0	3	0	1	0	1	27	3	0	2	0	1	0	56
13:30	1	21	3	0	0	0	0	0	1	11	6	0	1	0	2	0	46
13:45	0	17	3	0	5	0	1	0	1	20	2	0	0	2	0	0	51
14:00	0	13	2	0	4	1	1	0	0	22	3	0	0	1	1	0	48
14:15	0	15	2	0	5	0	0	0	1	21	4	0	1	1	1	0	51
14:30	0	20	1	0	5	0	1	0	0	24	8	0	1	0	0	0	60
14:45	1	15	1	0	2	0	0	0	0	21	2	0	4	1	3	0	50
15:00	2	14	0	0	3	0	3	0	0	25	6	0	0	0	0	0	53
15:15	0	5	0	0	1	0	0	0	0	22	4	0	0	0	2	0	34
15:30	1	22	1	0	1	0	0	0	1	13	2	0	1	1	0	0	43
15:45	0	17	1	0	4	0	0	0	0	15	3	0	0	1	1	0	42
16:00	0	13	0	0	0	0	0	0	1	10	7	0	0	0	2	0	33
16:15	0	14	0	0	1	0	0	0	0	6	1	0	1	1	1	0	25
16:30	0	8	1	0	4	0	0	0	0	7	2	1	1	0	1	0	24
16:45	0	9	0	1	0	1	0	0	1	9	1	0	0	0	1	0	22
17:00	0	5	0	0	0	1	1	0	0	9	2	0	0	0	1	0	19
17:15	0	6	0	0	0	0	1	0	1	15	1	0	0	0	1	0	25
17:30	0	9	2	0	1	0	1	0	0	8	1	0	0	1	0	0	23
17:45	0	6	1	1	0	1	0	0	0	10	4	0	0	0	0	0	22
18:00	0	8	0	0	0	1	0	0	0	5	1	0	0	0	0	0	15
18:15	0	9	0	0	1	0	1	0	0	11	1	0	0	0	0	0	23
18:30	0	6	0	0	0	0	0	0	0	5	2	0	0	0	0	0	13
18:45	0	4	0	0	1	0	0	0	0	11	3	0	0	0	0	0	19
Total	15	828	36	2	144	18	55	0	29	823	193	1	29	14	44	0	2228
Cars+	572	22879	542	1	2221	706	1103	5	1174	20851	3505	3	505	536	1875	1	56469
Trucks	15	828	36	2	144	18	55	0	29	823	193	1	29	14	44	0	2228
% Trucks	2.6	3.6	6.6	200.0	6.5	2.5	5.0	0.0	2.5	3.9	5.5	33.3	5.7	2.6	2.3	0.0	3.9
		3.7				5.4				4.1				3.0			