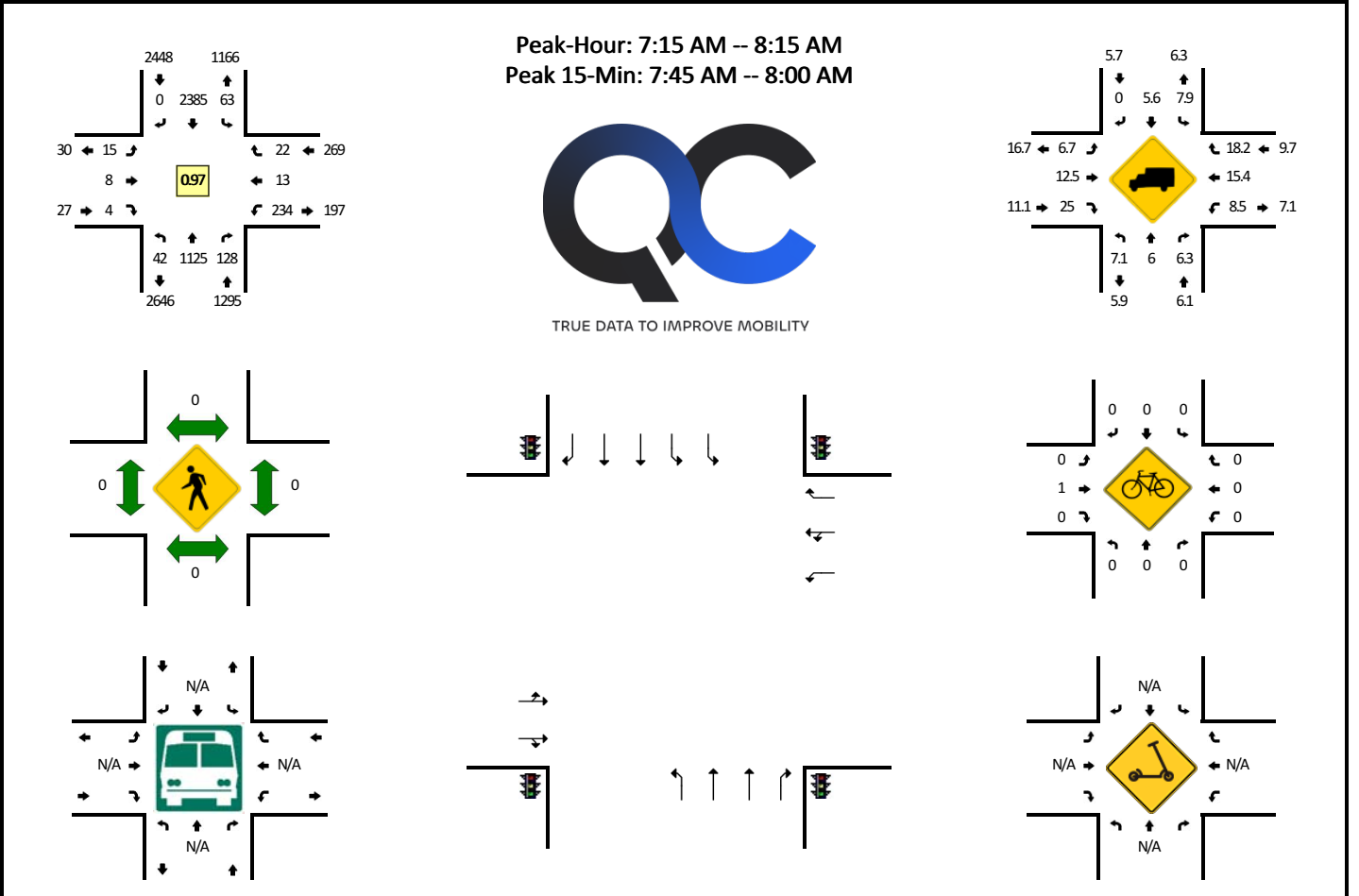


LOCATION: TH 65 -- 104th Wy/105th Ave NE
CITY/STATE: Blaine, MN

QC JOB #: 16374007
DATE: Thu, Oct 26 2023



15-Min Count Period Beginning At	TH 65 (Northbound)				TH 65 (Southbound)				104th Wy/105th Ave NE (Eastbound)				104th Wy/105th Ave NE (Westbound)				Total	Hourly Totals
	Left	Thru	Right	U	Left	Thru	Right	U	Left	Thru	Right	U	Left	Thru	Right	U		
7:00 AM	4	217	23	5	14	604	0	1	5	3	1	0	55	3	6	0	941	
7:15 AM	3	246	20	3	11	668	0	1	6	1	2	0	48	2	7	0	1018	
7:30 AM	2	274	31	4	8	590	0	0	1	1	1	0	73	3	5	0	993	
7:45 AM	7	284	47	8	26	582	0	1	8	4	0	0	62	3	5	0	1037	3989
8:00 AM	5	321	30	10	14	545	0	2	0	2	1	0	49	5	5	2	991	4039
8:15 AM	2	289	29	8	30	454	0	5	1	2	2	0	72	3	7	0	904	3925
8:30 AM	2	291	29	5	26	550	1	2	4	3	1	0	41	1	6	0	962	3894
8:45 AM	4	279	18	10	22	475	0	0	7	2	2	0	66	3	8	0	896	3753
Peak 15-Min Flowrates	Northbound				Southbound				Eastbound				Westbound				Total	
	Left	Thru	Right	U	Left	Thru	Right	U	Left	Thru	Right	U	Left	Thru	Right	U		
All Vehicles	28	1136	188	32	104	2328	0	4	32	16	0	0	248	12	20	0	4148	
Heavy Trucks	4	68	8		12	124	0		4	0	0		16	0	8		244	
Buses																		
Pedestrians		0				0				0				0				0
Bicycles	0	0	0		0	0	0		0	0	0		0	0	0			0
Scoters																		

Comments: