



# MINNESOTA DEPT OF TRANSPORTATION

## TRAFFIC DATA COLLECTION - METRO

loc: th 65 @ 105th ave ne 2003  
 ref pt: 012+00.917  
 data collected by: alliant eng  
 tmc: am noon pm

File Name : T.H. 65 at 105th  
 Site Code : 00000024  
 Start Date : 8/21/2003  
 Page No : 1

**Groups Printed- Unshifted**

Start Time	T.H. 65 Southbound					105th Ave. NE Westbound					T.H. 65 Northbound					105th Ave. NE Eastbound					Int. Total
	Left	Thru	Right	Peds	App. Total	Left	Thru	Right	Peds	App. Total	Left	Thru	Right	Peds	App. Total	Left	Thru	Right	Peds	App. Total	
06:00	5	559	2	0	566	12	0	0	0	12	2	128	11	0	141	1	2	0	0	3	722
06:15	3	629	3	0	635	23	0	3	0	26	4	138	11	0	153	0	1	0	0	1	815
06:30	9	693	1	0	703	14	1	1	0	16	2	205	40	1	248	1	0	0	0	1	968
06:45	22	638	0	0	660	18	0	11	0	29	2	222	39	0	263	2	4	3	0	9	961
Total	39	2519	6	0	2564	67	1	15	0	83	10	693	101	1	805	4	7	3	0	14	3466
07:00	7	628	1	0	636	19	1	0	1	21	3	214	29	0	246	2	0	0	0	2	905
07:15	8	660	1	0	669	18	4	4	0	26	11	224	24	0	259	0	3	1	0	4	958
07:30	9	641	0	1	651	19	0	2	0	21	5	206	27	0	238	4	1	2	0	7	917
07:45	5	641	0	0	646	14	0	2	0	16	11	234	26	0	271	0	3	0	0	3	936
Total	29	2570	2	1	2602	70	5	8	1	84	30	878	106	0	1014	6	7	3	0	16	3716
08:00	6	539	0	0	545	14	0	2	0	16	8	186	34	0	228	12	2	0	0	14	803
08:15	11	445	1	0	457	21	0	3	0	24	7	207	15	0	229	6	1	3	0	10	720
08:30	6	399	1	0	406	8	1	5	0	14	7	206	14	0	227	8	1	6	0	15	662
08:45	15	335	2	0	352	11	1	11	0	23	5	236	17	0	258	5	0	0	0	5	638
Total	38	1718	4	0	1760	54	2	21	0	77	27	835	80	0	942	31	4	9	0	44	2823
11:00	10	250	1	0	261	22	0	5	0	27	10	260	28	0	298	7	0	5	0	12	598
11:15	12	313	2	0	327	20	2	9	0	31	10	279	30	0	319	1	0	6	0	7	684
11:30	4	371	2	0	377	55	2	10	0	67	15	292	24	0	331	6	3	0	0	9	784
11:45	6	309	0	0	315	21	0	11	0	32	14	302	40	0	356	3	0	1	0	4	707
Total	32	1243	5	0	1280	118	4	35	0	157	49	1133	122	0	1304	17	3	12	0	32	2773
12:00	20	315	3	0	338	34	3	15	0	52	13	322	23	0	358	4	2	10	0	16	764
12:15	15	303	0	0	318	27	0	11	1	39	19	348	30	0	397	3	5	9	0	17	771
12:30	10	336	0	0	346	24	4	9	0	37	20	332	40	0	392	8	1	6	0	15	790
12:45	14	294	0	0	308	27	0	15	0	42	18	345	31	0	394	4	32	8	0	44	788
Total	59	1248	3	0	1310	112	7	50	1	170	70	1347	124	0	1541	19	40	33	0	92	3113



# MINNESOTA DEPT OF TRANSPORTATION

## TRAFFIC DATA COLLECTION - METRO

File Name : T.H. 65 at 105th  
 Site Code : 00000024  
 Start Date : 8/21/2003  
 Page No : 2

**Groups Printed- Unshifted**

Start Time	T.H. 65 Southbound					105th Ave. NE Westbound					T.H. 65 Northbound					105th Ave. NE Eastbound					Int. Total
	Left	Thru	Right	Peds	App. Total	Left	Thru	Right	Peds	App. Total	Left	Thru	Right	Peds	App. Total	Left	Thru	Right	Peds	App. Total	
15:00	10	293	0	0	303	24	2	16	0	42	17	548	33	0	598	11	8	5	0	24	967
15:15	10	318	2	0	330	26	3	16	0	45	14	533	34	0	581	6	2	5	0	13	969
15:30	9	300	1	0	310	48	5	14	0	67	10	579	28	0	617	6	2	5	0	13	1007
15:45	12	303	3	0	318	23	7	10	0	40	21	575	15	0	611	7	3	8	0	18	987
<b>Total</b>	<b>41</b>	<b>1214</b>	<b>6</b>	<b>0</b>	<b>1261</b>	<b>121</b>	<b>17</b>	<b>56</b>	<b>0</b>	<b>194</b>	<b>62</b>	<b>2235</b>	<b>110</b>	<b>0</b>	<b>2407</b>	<b>30</b>	<b>15</b>	<b>23</b>	<b>0</b>	<b>68</b>	<b>3930</b>
16:00	16	296	0	0	312	35	4	9	3	51	11	524	31	0	566	10	20	5	0	35	964
16:15	10	281	0	0	291	24	2	10	0	36	20	549	41	0	610	12	0	10	0	22	959
16:30	10	346	0	0	356	35	9	9	0	53	10	569	29	0	608	3	0	7	1	11	1028
16:45	5	333	1	0	339	32	4	12	0	48	13	510	52	0	575	6	6	8	0	20	982
<b>Total</b>	<b>41</b>	<b>1256</b>	<b>1</b>	<b>0</b>	<b>1298</b>	<b>126</b>	<b>19</b>	<b>40</b>	<b>3</b>	<b>188</b>	<b>54</b>	<b>2152</b>	<b>153</b>	<b>0</b>	<b>2359</b>	<b>31</b>	<b>26</b>	<b>30</b>	<b>1</b>	<b>88</b>	<b>3933</b>
17:00	11	368	3	0	382	17	2	9	0	28	11	541	45	1	598	7	2	6	0	15	1023
17:15	12	337	0	0	349	21	6	6	0	33	16	551	37	0	604	1	1	4	0	6	992
17:30	20	337	0	0	357	22	1	13	0	36	10	532	67	0	609	6	1	7	0	14	1016
17:45	22	263	1	0	286	28	3	10	0	41	12	544	87	0	643	10	3	3	0	16	986
<b>Total</b>	<b>65</b>	<b>1305</b>	<b>4</b>	<b>0</b>	<b>1374</b>	<b>88</b>	<b>12</b>	<b>38</b>	<b>0</b>	<b>138</b>	<b>49</b>	<b>2168</b>	<b>236</b>	<b>1</b>	<b>2454</b>	<b>24</b>	<b>7</b>	<b>20</b>	<b>0</b>	<b>51</b>	<b>4017</b>
Grand Total	344	13073	31	1	13449	756	67	263	5	1091	351	11441	1032	2	12826	162	109	133	1	405	27771
Apprch %	2.6	97.2	0.2	0		69.3	6.1	24.1	0.5		2.7	89.2	8	0		40	26.9	32.8	0.2		
Total %	1.2	47.1	0.1	0	48.4	2.7	0.2	0.9	0	3.9	1.3	41.2	3.7	0	46.2	0.6	0.4	0.5	0	1.5	

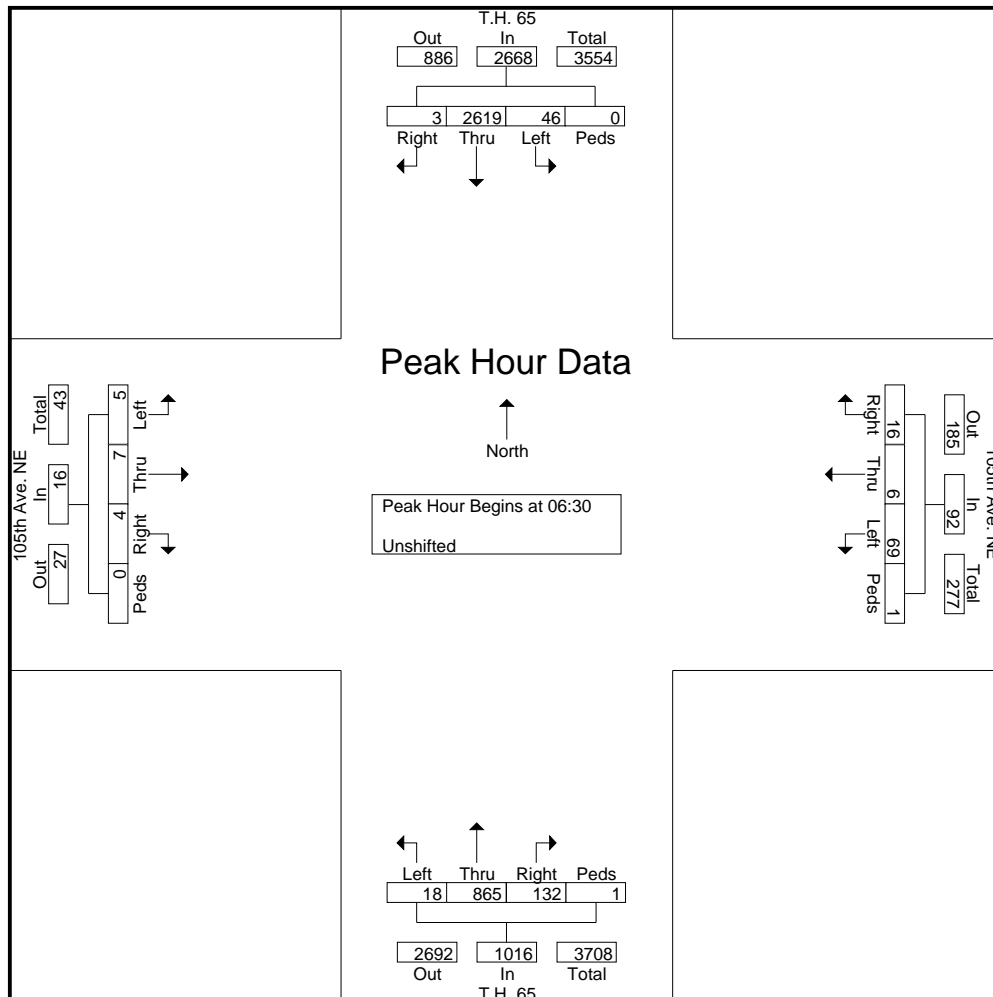


# MINNESOTA DEPT OF TRANSPORTATION

## TRAFFIC DATA COLLECTION - METRO

File Name : T.H. 65 at 105th  
 Site Code : 00000024  
 Start Date : 8/21/2003  
 Page No : 3

Start Time	T.H. 65 Southbound					105th Ave. NE Westbound					T.H. 65 Northbound					105th Ave. NE Eastbound					Int. Total
	Left	Thru	Right	Peds	App. Total	Left	Thru	Right	Peds	App. Total	Left	Thru	Right	Peds	App. Total	Left	Thru	Right	Peds	App. Total	
Peak Hour Analysis From 06:00 to 09:45 - Peak 1 of 1																					
Peak Hour for Entire Intersection Begins at 06:30																					
06:30	9	693	1	0	703	14	1	1	0	16	2	205	40	1	248	1	0	0	0	1	968
06:45	22	638	0	0	660	18	0	11	0	29	2	222	39	0	263	2	4	3	0	9	961
07:00	7	628	1	0	636	19	1	0	1	21	3	214	29	0	246	2	0	0	0	2	905
07:15	8	660	1	0	669	18	4	4	0	26	11	224	24	0	259	0	3	1	0	4	958
Total Volume	46	2619	3	0	2668	69	6	16	1	92	18	865	132	1	1016	5	7	4	0	16	3792
% App. Total	1.7	98.2	0.1	0		75	6.5	17.4	1.1		1.8	85.1	13	0.1		31.2	43.8	25	0		
PHF	.523	.945	.750	.000	.949	.908	.375	.364	.250	.793	.409	.965	.825	.250	.966	.625	.438	.333	.000	.444	.979



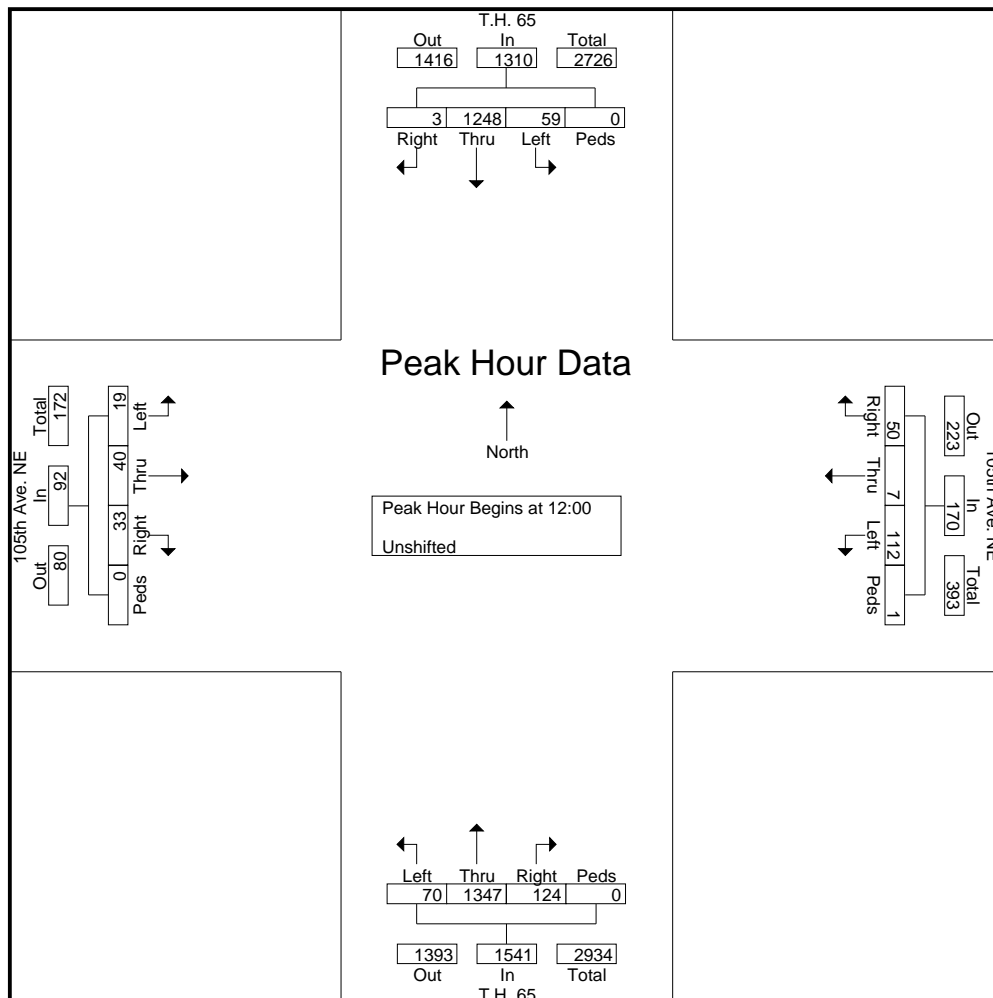


# MINNESOTA DEPT OF TRANSPORTATION

## TRAFFIC DATA COLLECTION - METRO

File Name : T.H. 65 at 105th  
 Site Code : 00000024  
 Start Date : 8/21/2003  
 Page No : 4

Start Time	T.H. 65 Southbound					105th Ave. NE Westbound					T.H. 65 Northbound					105th Ave. NE Eastbound					Int. Total
	Left	Thru	Right	Peds	App. Total	Left	Thru	Right	Peds	App. Total	Left	Thru	Right	Peds	App. Total	Left	Thru	Right	Peds	App. Total	
Peak Hour Analysis From 10:00 to 13:45 - Peak 1 of 1																					
Peak Hour for Entire Intersection Begins at 12:00																					
12:00	20	315	3	0	338	34	3	15	0	52	13	322	23	0	358	4	2	10	0	16	764
12:15	15	303	0	0	318	27	0	11	1	39	19	348	30	0	397	3	5	9	0	17	771
12:30	10	336	0	0	346	24	4	9	0	37	20	332	40	0	392	8	1	6	0	15	790
12:45	14	294	0	0	308	27	0	15	0	42	18	345	31	0	394	4	32	8	0	44	788
Total Volume	59	1248	3	0	1310	112	7	50	1	170	70	1347	124	0	1541	19	40	33	0	92	3113
% App. Total	4.5	95.3	0.2	0		65.9	4.1	29.4	0.6		4.5	87.4	8	0		20.7	43.5	35.9	0		
PHF	.738	.929	.250	.000	.947	.824	.438	.833	.250	.817	.875	.968	.775	.000	.970	.594	.313	.825	.000	.523	.985





# MINNESOTA DEPT OF TRANSPORTATION

## TRAFFIC DATA COLLECTION - METRO

File Name : T.H. 65 at 105th  
 Site Code : 00000024  
 Start Date : 8/21/2003  
 Page No : 5

Start Time	T.H. 65 Southbound					105th Ave. NE Westbound					T.H. 65 Northbound					105th Ave. NE Eastbound					Int. Total
	Left	Thru	Right	Peds	App. Total	Left	Thru	Right	Peds	App. Total	Left	Thru	Right	Peds	App. Total	Left	Thru	Right	Peds	App. Total	
Peak Hour Analysis From 14:00 to 17:45 - Peak 1 of 1																					
Peak Hour for Entire Intersection Begins at 16:30																					
16:30	10	346	0	0	356	35	9	9	0	53	10	569	29	0	608	3	0	7	1	11	1028
16:45	5	333	1	0	339	32	4	12	0	48	13	510	52	0	575	6	6	8	0	20	982
17:00	11	368	3	0	382	17	2	9	0	28	11	541	45	1	598	7	2	6	0	15	1023
17:15	12	337	0	0	349	21	6	6	0	33	16	551	37	0	604	1	1	4	0	6	992
Total Volume	38	1384	4	0	1426	105	21	36	0	162	50	2171	163	1	2385	17	9	25	1	52	4025
% App. Total	2.7	97.1	0.3	0		64.8	13	22.2	0		2.1	91	6.8	0		32.7	17.3	48.1	1.9		
PHF	.792	.940	.333	.000	.933	.750	.583	.750	.000	.764	.781	.954	.784	.250	.981	.607	.375	.781	.250	.650	.979

