

Location: TH 65 at 117th Avenue/Cloud Drive  
 Count Date: 4/4/2017  
 Counted By: JDA



**TURNING MOVEMENT COUNT DATA**

**All Vehicles**

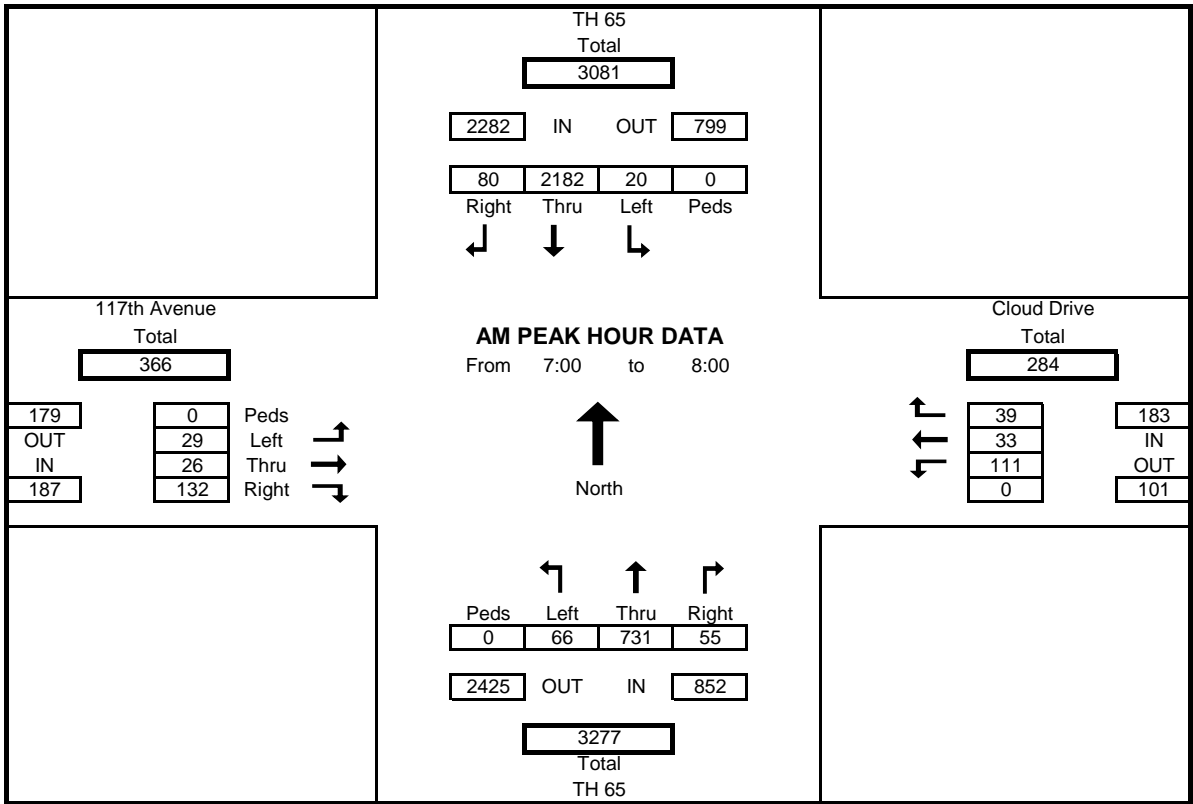
Start Time	TH 65				Cloud Drive				TH 65				117th Avenue				Int. Total
	Southbound				Westbound				Northbound				Eastbound				
	Left	Thru	Right	Peds	Left	Thru	Right	Peds	Left	Thru	Right	Peds	Left	Thru	Right	Peds	
6:00	0	608	5	0	19	2	3	0	2	72	1	0	1	2	20	0	735
6:15	0	587	1	0	18	2	5	0	9	123	6	0	6	4	23	0	784
6:30	1	611	21	0	14	3	6	0	9	152	9	0	3	2	22	0	853
6:45	8	516	16	1	24	5	5	0	14	174	11	1	9	4	22	0	808
7:00	4	563	11	0	28	7	10	0	17	153	12	0	4	6	37	0	852
7:15	2	568	20	0	31	11	10	0	15	175	12	0	1	4	32	0	881
7:30	5	506	28	0	24	10	9	0	16	190	17	0	12	13	39	0	869
7:45	9	545	21	0	28	5	10	0	18	213	14	0	12	3	24	0	902
8:00	3	489	21	0	27	16	8	0	15	174	20	0	4	12	34	0	823
8:15	9	432	17	0	18	9	6	0	23	175	22	0	8	9	30	0	758
8:30	5	443	21	0	28	8	5	0	16	157	23	0	9	7	26	0	748
8:45	7	356	22	0	28	12	8	0	24	185	22	0	11	17	40	0	732
9:00	3	376	22	0	27	16	6	0	22	206	15	0	9	4	40	0	746
9:15	7	338	33	0	20	16	6	0	29	191	22	0	8	13	47	0	730
9:30	12	369	34	0	15	7	10	0	25	230	25	0	20	9	31	0	787
9:45	8	310	26	1	18	13	4	0	42	228	30	0	16	13	53	0	761
10:00	5	303	20	0	18	12	5	0	33	203	18	0	19	8	40	0	684
10:15	8	222	20	0	19	14	5	0	41	204	21	0	26	11	55	0	646
10:30	7	276	25	1	29	9	5	0	37	197	17	0	22	6	51	0	681
10:45	6	217	19	0	24	14	7	0	39	203	26	0	21	11	46	0	633
11:00	3	270	28	0	21	13	5	0	39	255	25	0	17	11	40	0	727
11:15	9	268	31	1	12	9	5	0	41	249	27	0	18	18	58	0	745
11:30	3	265	34	0	31	20	6	0	41	220	30	0	33	11	49	0	743
11:45	9	241	29	0	26	13	9	0	41	236	27	0	28	14	43	0	716
12:00	8	275	33	0	17	18	9	0	58	247	20	0	25	11	45	0	766
12:15	10	269	19	0	21	11	9	0	61	292	29	0	33	11	55	0	820
12:30	6	256	34	0	20	14	7	0	37	306	22	0	32	19	42	0	795
12:45	9	283	30	0	22	16	8	0	49	275	30	0	36	12	45	0	815
13:00	10	265	38	0	29	14	7	0	38	285	19	0	34	5	50	0	794
13:15	3	296	23	2	21	12	7	0	50	295	23	0	36	19	41	0	826
13:30	7	249	33	0	25	15	5	0	38	288	27	0	28	6	47	0	768
13:45	10	245	32	2	26	20	7	0	47	344	29	0	23	18	48	0	849
14:00	7	241	26	0	21	20	5	0	50	355	19	0	38	17	53	0	852
14:15	8	245	32	0	22	17	2	0	52	375	23	0	45	18	49	0	888
14:30	7	284	36	0	16	19	6	0	39	412	34	0	38	18	33	0	942
14:45	3	210	23	0	14	18	7	0	62	481	39	0	31	13	65	0	966
15:00	9	239	22	2	15	23	15	0	36	434	41	0	39	13	49	0	935
15:15	6	283	27	0	17	19	10	0	51	514	34	0	37	15	48	0	1061
15:30	4	321	22	0	12	19	8	0	45	495	41	0	32	15	54	0	1068
15:45	3	235	21	1	17	33	6	0	65	487	47	0	49	21	46	0	1030
16:00	6	278	23	2	16	18	9	0	53	594	38	0	53	21	45	0	1154
16:15	9	258	23	0	40	25	19	0	47	523	46	0	42	24	36	0	1092
16:30	3	309	23	0	23	19	15	0	67	575	38	0	54	34	48	0	1208
16:45	16	328	17	1	30	30	9	0	43	567	41	0	38	17	46	0	1182
17:00	6	262	22	2	28	27	14	0	50	503	46	0	59	27	31	0	1075
17:15	12	310	22	0	17	19	9	0	68	549	38	0	24	20	55	0	1143
17:30	7	265	21	0	37	22	18	0	57	478	41	0	44	17	56	0	1063
17:45	9	226	18	0	28	24	9	0	66	467	47	0	56	20	47	0	1017
18:00	11	280	23	0	29	20	10	0	51	518	50	0	39	21	41	0	1093
18:15	9	227	17	0	20	14	11	0	45	384	31	0	43	23	37	0	861
18:30	8	230	21	0	24	14	9	0	44	406	35	0	24	26	42	2	883
18:45	6	205	36	0	31	23	10	0	47	378	39	0	24	11	36	0	846
Total	345	17053	1242	16	1185	789	418	0	2024	16392	1419	1	1373	704	2192	2	45136
Cars+	340	16428	1211	16	1166	779	416	0	1979	15799	1387	1	1356	687	2124	0	43672
Trucks	5	625	31	0	19	10	2	0	45	593	32	0	17	17	68	2	1464
% Trucks	1.5	3.8	2.6	0.0	1.6	1.3	0.5	0.0	2.3	3.8	2.3	0.0	1.3	2.5	3.2	#DIV/0!	3.4
		3.7				1.3				3.5				2.4			

Location: TH 65 at 117th Avenue/Cloud Drive  
 Count Date: 4/4/2017  
 Counted By: JDA



**AM PEAK HOUR TURNING MOVEMENT DATA**  
 All Vehicles

Start Time	TH 65				Cloud Drive				TH 65				117th Avenue				Int. Total
	Southbound				Westbound				Northbound				Eastbound				
	Left	Thru	Right	Peds	Left	Thru	Right	Peds	Left	Thru	Right	Peds	Left	Thru	Right	Peds	
7:00	4	563	11	0	28	7	10	0	17	153	12	0	4	6	37	0	852
7:15	2	568	20	0	31	11	10	0	15	175	12	0	1	4	32	0	881
7:30	5	506	28	0	24	10	9	0	16	190	17	0	12	13	39	0	869
7:45	9	545	21	0	28	5	10	0	18	213	14	0	12	3	24	0	902
<b>Total</b>	<b>20</b>	<b>2182</b>	<b>80</b>	<b>0</b>	<b>111</b>	<b>33</b>	<b>39</b>	<b>0</b>	<b>66</b>	<b>731</b>	<b>55</b>	<b>0</b>	<b>29</b>	<b>26</b>	<b>132</b>	<b>0</b>	<b>3504</b>
% App. Total	0.9	95.6	3.5	0.0	4.9	1.4	1.7	0.0	2.9	32.0	2.4	0.0	1.3	1.1	5.8	0.0	
PHF	0.556	0.960	0.714	0.000	0.895	0.750	0.975	0.000	0.917	0.858	0.809	0.000	0.604	0.500	0.846	0.000	0.971
% Trucks	0.0	2.8	5.3	0.0	0.9	10.0	0.0	0.0	8.2	5.2	3.8	0.0	7.4	8.3	6.5	0.0	3.6
			2.8			2.2				5.3				6.9			

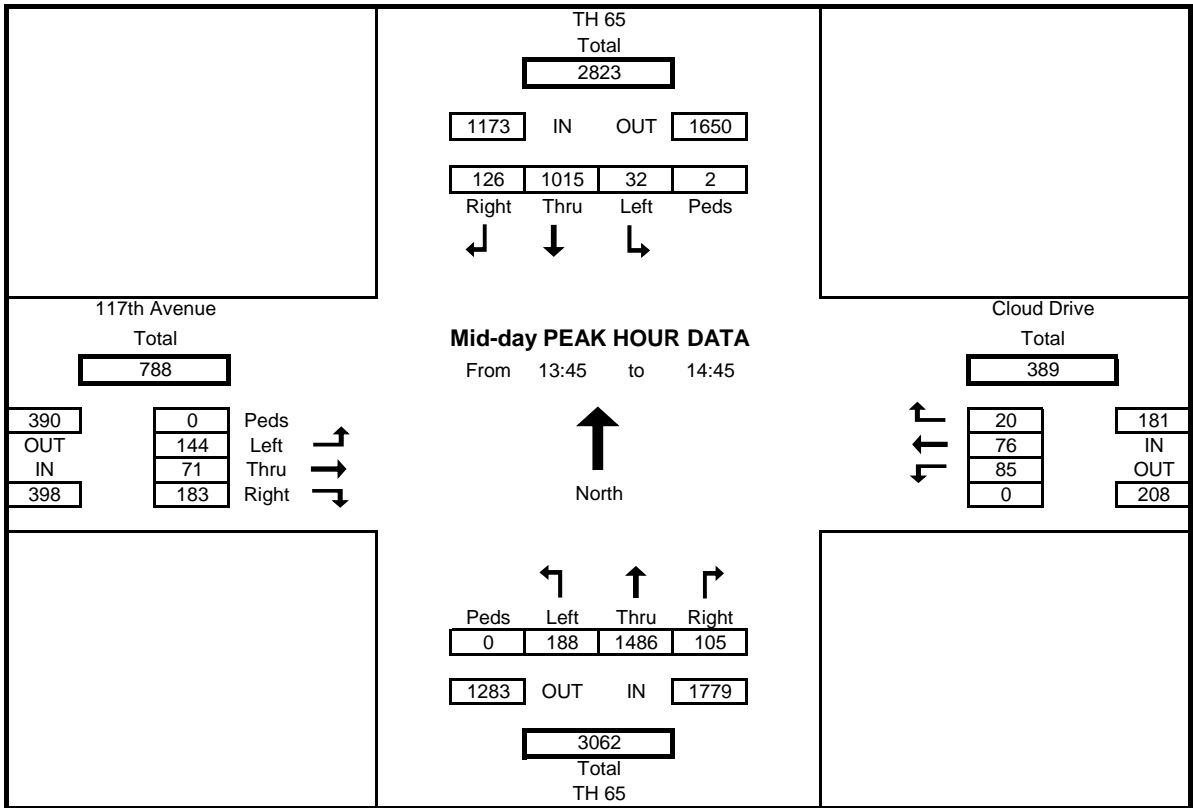


Location: TH 65 at 117th Avenue/Cloud Drive  
 Count Date: 4/4/2017  
 Counted By: JDA



**Mid-Day PEAK HOUR TURNING MOVEMENT DATA**  
 All Vehicles

Start Time	TH 65				Cloud Drive				TH 65				117th Avenue				Int. Total
	Southbound				Westbound				Northbound				Eastbound				
	Left	Thru	Right	Peds	Left	Thru	Right	Peds	Left	Thru	Right	Peds	Left	Thru	Right	Peds	
13:45	10	245	32	2	26	20	7	0	47	344	29	0	23	18	48	0	849
14:00	7	241	26	0	21	20	5	0	50	355	19	0	38	17	53	0	852
14:15	8	245	32	0	22	17	2	0	52	375	23	0	45	18	49	0	888
14:30	7	284	36	0	16	19	6	0	39	412	34	0	38	18	33	0	942
Total	32	1015	126	2	85	76	20	0	188	1486	105	0	144	71	183	0	3531
% App. Total	2.7	86.4	10.7	0.2	7.2	6.5	1.7	0.0	16.0	126.5	8.9	0.0	12.3	6.0	15.6	0.0	
PHF	0.800	0.893	0.875	0.250	0.817	0.950	0.714	0.000	0.904	0.902	0.772	0.000	0.800	0.986	0.863	0.000	0.937
% Trucks	0.0	5.3	0.8	0.0	2.4	0.0	0.0	0.0	1.6	4.2	2.9	0.0	0.7	6.0	2.2	0.0	3.8
	4.6				1.1				3.9				2.3				

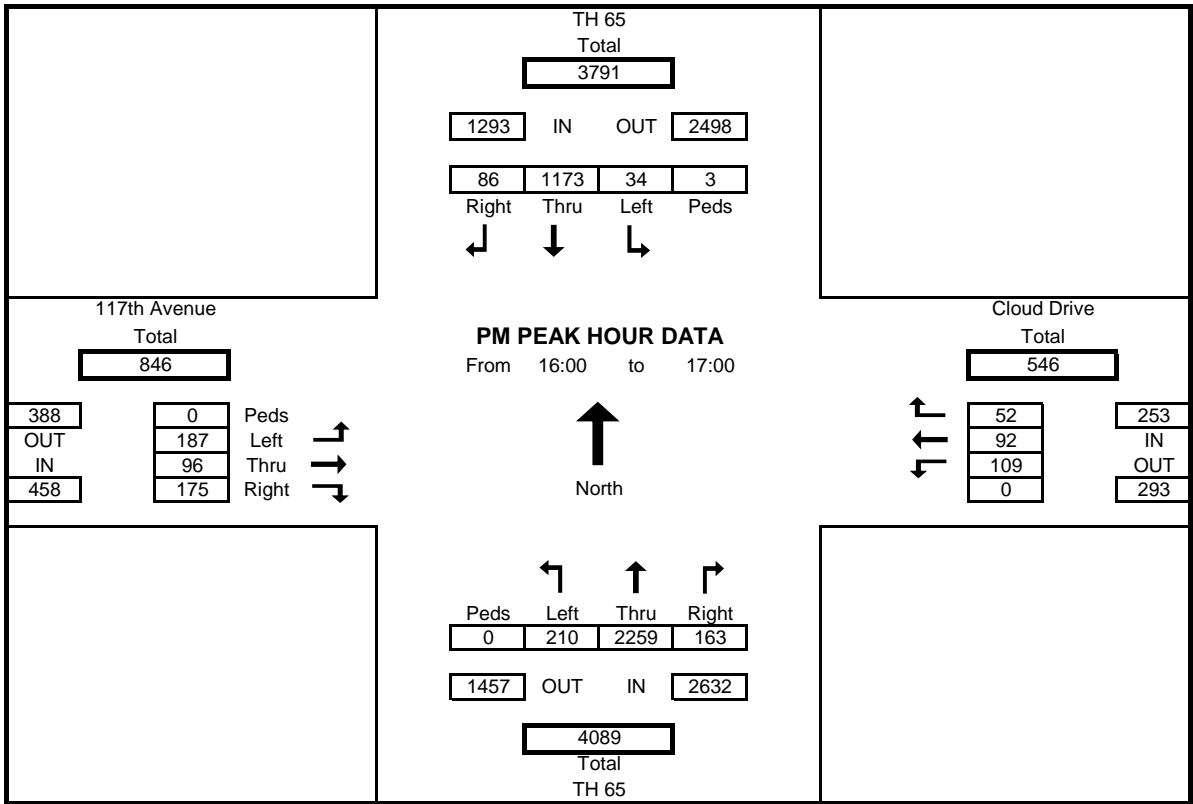


Location: TH 65 at 117th Avenue/Cloud Drive  
 Count Date: 4/4/2017  
 Counted By: JDA



**AM PEAK HOUR TURNING MOVEMENT DATA**  
 All Vehicles

Start Time	TH 65				Cloud Drive				TH 65				117th Avenue				Int. Total
	Southbound				Westbound				Northbound				Eastbound				
	Left	Thru	Right	Peds	Left	Thru	Right	Peds	Left	Thru	Right	Peds	Left	Thru	Right	Peds	
16:00	6	278	23	2	16	18	9	0	53	594	38	0	53	21	45	0	1154
16:15	9	258	23	0	40	25	19	0	47	523	46	0	42	24	36	0	1092
16:30	3	309	23	0	23	19	15	0	67	575	38	0	54	34	48	0	1208
16:45	16	328	17	1	30	30	9	0	43	567	41	0	38	17	46	0	1182
<b>Total</b>	<b>34</b>	<b>1173</b>	<b>86</b>	<b>3</b>	<b>109</b>	<b>92</b>	<b>52</b>	<b>0</b>	<b>210</b>	<b>2259</b>	<b>163</b>	<b>0</b>	<b>187</b>	<b>96</b>	<b>175</b>	<b>0</b>	<b>4636</b>
<b>% App. Total</b>	<b>2.6</b>	<b>90.5</b>	<b>6.6</b>	<b>0.2</b>	<b>8.4</b>	<b>7.1</b>	<b>4.0</b>	<b>0.0</b>	<b>16.2</b>	<b>174.3</b>	<b>12.6</b>	<b>0.0</b>	<b>14.4</b>	<b>7.4</b>	<b>13.5</b>	<b>0.0</b>	
<b>PHF</b>	<b>0.531</b>	<b>0.894</b>	<b>0.935</b>	<b>0.375</b>	<b>0.681</b>	<b>0.767</b>	<b>0.684</b>	<b>0.000</b>	<b>0.784</b>	<b>0.951</b>	<b>0.886</b>	<b>0.000</b>	<b>0.866</b>	<b>0.706</b>	<b>0.911</b>	<b>0.000</b>	<b>0.959</b>
<b>% Trucks</b>	<b>0.0</b>	<b>3.3</b>	<b>0.0</b>	<b>0.0</b>	<b>0.0</b>	<b>0.0</b>	<b>0.0</b>	<b>0.0</b>	<b>1.0</b>	<b>1.3</b>	<b>0.6</b>	<b>0.0</b>	<b>0.0</b>	<b>1.1</b>	<b>0.6</b>	<b>0.0</b>	<b>1.6</b>
		<b>3.0</b>				<b>0.0</b>				<b>1.2</b>				<b>0.4</b>			



Location: TH 65 at 117th Avenue/Cloud Drive  
 Count Date: 4/4/2017  
 Counted By: JDA



**TURNING MOVEMENT COUNT DATA**

Cars+

Start Time	TH 65				Cloud Drive				TH 65				117th Avenue				Int. Total
	Southbound				Westbound				Northbound				Eastbound				
	Left	Thru	Right	Peds	Left	Thru	Right	Peds	Left	Thru	Right	Peds	Left	Thru	Right	Peds	
6:00	0	601	5	0	19	2	3	0	2	72	1	0	1	2	20	0	728
6:15	0	573	1	0	18	2	5	0	8	114	6	0	6	4	22	0	759
6:30	1	601	20	0	14	3	6	0	7	148	8	0	3	2	22	0	835
6:45	8	501	15	1	23	5	5	0	13	169	10	1	9	4	20	0	782
7:00	4	543	11	0	27	6	10	0	16	146	11	0	3	5	36	0	818
7:15	2	552	19	0	31	10	10	0	13	169	12	0	1	4	30	0	853
7:30	5	493	27	0	24	9	9	0	15	183	17	0	11	13	36	0	842
7:45	9	535	19	0	28	5	10	0	17	197	13	0	12	2	22	0	869
8:00	3	477	20	0	26	15	8	0	14	161	20	0	4	12	30	0	790
8:15	8	418	17	0	17	9	5	0	22	160	22	0	8	7	30	0	723
8:30	5	433	21	0	27	8	5	0	16	143	23	0	8	7	26	0	722
8:45	5	344	21	0	28	11	8	0	24	174	21	0	11	16	39	0	702
9:00	3	355	20	0	27	15	6	0	19	185	15	0	9	4	37	0	695
9:15	6	328	30	0	20	16	6	0	29	175	21	0	8	13	43	0	695
9:30	12	360	33	0	15	6	10	0	24	208	24	0	20	8	29	0	749
9:45	8	294	25	1	17	13	4	0	41	204	30	0	16	12	53	0	717
10:00	5	281	18	0	16	12	5	0	32	184	16	0	18	8	38	0	633
10:15	8	205	19	0	19	14	5	0	39	187	19	0	23	11	54	0	603
10:30	7	266	24	1	26	9	4	0	34	185	17	0	22	6	50	0	650
10:45	6	208	19	0	24	14	7	0	37	191	26	0	20	11	43	0	606
11:00	3	253	28	0	19	13	5	0	39	239	24	0	17	11	35	0	686
11:15	9	254	29	1	12	9	5	0	41	235	26	0	17	18	55	0	710
11:30	3	240	34	0	31	20	6	0	41	209	30	0	32	11	47	0	704
11:45	8	222	27	0	26	13	9	0	41	226	27	0	28	14	43	0	684
12:00	8	256	33	0	16	17	9	0	58	231	19	0	25	11	43	0	726
12:15	10	255	19	0	21	10	9	0	58	275	27	0	32	11	55	0	782
12:30	6	239	34	0	20	14	7	0	37	290	21	0	31	17	42	0	758
12:45	9	266	29	0	22	16	8	0	47	255	30	0	35	12	44	0	773
13:00	10	254	38	0	29	14	7	0	38	273	18	0	33	5	50	0	769
13:15	3	282	23	2	21	12	7	0	50	283	23	0	35	19	39	0	797
13:30	7	232	33	0	25	15	5	0	37	274	27	0	28	6	47	0	736
13:45	10	232	32	2	26	20	7	0	47	332	28	0	23	18	46	0	821
14:00	7	227	26	0	21	20	5	0	50	335	17	0	38	17	52	0	815
14:15	8	239	32	0	20	17	2	0	50	362	23	0	44	17	48	0	862
14:30	7	266	35	0	16	19	6	0	38	397	34	0	38	15	33	0	904
14:45	3	202	22	0	14	18	7	0	61	470	37	0	31	13	64	0	942
15:00	9	233	20	2	15	23	15	0	36	417	39	0	39	12	47	0	905
15:15	6	271	26	0	16	19	10	0	51	501	34	0	37	14	48	0	1033
15:30	4	305	22	0	11	19	8	0	45	483	39	0	32	15	54	0	1037
15:45	3	225	20	1	17	32	6	0	64	477	45	0	49	21	45	0	1004
16:00	6	274	23	2	16	18	9	0	53	588	38	0	53	21	45	0	1144
16:15	9	240	23	0	40	25	19	0	46	517	45	0	42	24	36	0	1066
16:30	3	298	23	0	23	19	15	0	67	565	38	0	54	33	48	0	1186
16:45	16	323	17	1	30	30	9	0	42	561	41	0	38	17	45	0	1169
17:00	6	255	22	2	28	27	14	0	49	497	46	0	59	27	30	0	1060
17:15	12	307	22	0	17	19	9	0	65	545	38	0	24	20	53	0	1131
17:30	7	259	20	0	36	22	18	0	57	473	41	0	43	17	52	0	1045
17:45	9	217	18	0	28	24	9	0	65	463	45	0	56	19	46	0	999
18:00	11	280	23	0	29	20	10	0	51	511	50	0	39	21	40	0	1085
18:15	9	224	17	0	20	14	11	0	44	381	31	0	43	23	36	0	853
18:30	8	227	21	0	24	14	9	0	44	403	35	0	24	26	40	0	875
18:45	6	203	36	0	31	23	10	0	45	376	39	0	24	11	36	0	840
Total	340	16428	1211	16	1166	779	416	0	1979	15799	1387	1	1356	687	2124	0	43672
Cars+	340	16428	1211	16	1166	779	416	0	1979	15799	1387	1	1356	687	2124	0	43672
Trucks	5	625	31	0	19	10	2	0	45	593	32	0	17	17	68	2	1464
% Trucks	1.5	3.8	2.6	0.0	1.6	1.3	0.5	0.0	2.3	3.8	2.3	0.0	1.3	2.5	3.2	0.0	3.4
			3.7				1.3				3.5				2.4		

Location: TH 65 at 117th Avenue/Cloud Drive  
 Count Date: 4/4/2017  
 Counted By: JDA



**TURNING MOVEMENT COUNT DATA**  
**Heavy Vehicles**

Start Time	TH 65				Cloud Drive				TH 65				117th Avenue				Int. Total
	Southbound				Westbound				Northbound				Eastbound				
	Left	Thru	Right	Bikes	Left	Thru	Right	Bikes	Left	Thru	Right	Bikes	Left	Thru	Right	Bikes	
6:00	0	7	0	0	0	0	0	0	0	0	0	0	0	0	0	0	7
6:15	0	14	0	0	0	0	0	0	1	9	0	0	0	0	1	0	25
6:30	0	10	1	0	0	0	0	0	2	4	1	0	0	0	0	0	18
6:45	0	15	1	0	1	0	0	0	1	5	1	0	0	0	2	0	26
7:00	0	20	0	0	1	1	0	0	1	7	1	0	1	1	1	0	34
7:15	0	16	1	0	0	1	0	0	2	6	0	0	0	0	2	0	28
7:30	0	13	1	0	0	1	0	0	1	7	0	0	1	0	3	0	27
7:45	0	10	2	0	0	0	0	0	1	16	1	0	0	1	2	0	33
8:00	0	12	1	0	1	1	0	0	1	13	0	0	0	0	4	0	33
8:15	1	14	0	0	1	0	1	0	1	15	0	0	0	2	0	0	35
8:30	0	10	0	0	1	0	0	0	0	14	0	0	1	0	0	0	26
8:45	2	12	1	0	0	1	0	0	0	11	1	0	0	1	1	0	30
9:00	0	21	2	0	0	1	0	0	3	21	0	0	0	0	3	0	51
9:15	1	10	3	0	0	0	0	0	0	16	1	0	0	0	4	0	35
9:30	0	9	1	0	0	1	0	0	1	22	1	0	0	1	2	0	38
9:45	0	16	1	0	1	0	0	0	1	24	0	0	0	1	0	0	44
10:00	0	22	2	0	2	0	0	0	1	19	2	0	1	0	2	0	51
10:15	0	17	1	0	0	0	0	0	2	17	2	0	3	0	1	0	43
10:30	0	10	1	0	3	0	1	0	3	12	0	0	0	0	1	0	31
10:45	0	9	0	0	0	0	0	0	2	12	0	0	1	0	3	0	27
11:00	0	17	0	0	2	0	0	0	0	16	1	0	0	0	5	0	41
11:15	0	14	2	0	0	0	0	0	0	14	1	0	1	0	3	0	35
11:30	0	25	0	0	0	0	0	0	0	11	0	0	1	0	2	0	39
11:45	1	19	2	0	0	0	0	0	0	10	0	0	0	0	0	0	32
12:00	0	19	0	0	1	1	0	0	0	16	1	0	0	0	2	0	40
12:15	0	14	0	0	0	1	0	0	3	17	2	0	1	0	0	0	38
12:30	0	17	0	0	0	0	0	0	0	16	1	0	1	2	0	0	37
12:45	0	17	1	0	0	0	0	0	2	20	0	0	1	0	1	0	42
13:00	0	11	0	0	0	0	0	0	0	12	1	0	1	0	0	0	25
13:15	0	14	0	0	0	0	0	0	0	12	0	0	1	0	2	0	29
13:30	0	17	0	0	0	0	0	0	1	14	0	0	0	0	0	0	32
13:45	0	13	0	0	0	0	0	0	0	12	1	0	0	0	2	0	28
14:00	0	14	0	0	0	0	0	0	0	20	2	0	0	0	1	0	37
14:15	0	6	0	0	2	0	0	0	2	13	0	0	1	1	1	0	26
14:30	0	18	1	0	0	0	0	0	1	15	0	0	0	3	0	0	38
14:45	0	8	1	0	0	0	0	0	1	11	2	0	0	0	1	0	24
15:00	0	6	2	0	0	0	0	0	0	17	2	0	0	1	2	0	30
15:15	0	12	1	0	1	0	0	0	0	13	0	0	0	1	0	0	28
15:30	0	16	0	0	1	0	0	0	0	12	2	0	0	0	0	0	31
15:45	0	10	1	0	0	1	0	0	1	10	2	0	0	0	1	0	26
16:00	0	4	0	0	0	0	0	0	0	6	0	0	0	0	0	0	10
16:15	0	18	0	0	0	0	0	0	1	6	1	0	0	0	0	0	26
16:30	0	11	0	0	0	0	0	0	0	10	0	0	0	1	0	0	22
16:45	0	5	0	0	0	0	0	0	1	6	0	0	0	0	1	0	13
17:00	0	7	0	0	0	0	0	0	1	6	0	0	0	0	1	0	15
17:15	0	3	0	0	0	0	0	0	3	4	0	0	0	0	2	0	12
17:30	0	6	1	0	1	0	0	0	0	5	0	0	1	0	4	0	18
17:45	0	9	0	0	0	0	0	0	1	4	2	0	0	1	1	0	18
18:00	0	0	0	0	0	0	0	0	0	7	0	0	0	0	1	0	8
18:15	0	3	0	0	0	0	0	0	1	3	0	0	0	0	1	0	8
18:30	0	3	0	0	0	0	0	0	0	3	0	0	0	0	2	2	8
18:45	0	2	0	0	0	0	0	0	2	2	0	0	0	0	0	0	6
Total	5	625	31	0	19	10	2	0	45	593	32	0	17	17	68	2	1464
Cars+	340	16428	1211	16	1166	779	416	0	1979	15799	1387	1	1356	687	2124	0	43672
Trucks	5	625	31	0	19	10	2	0	45	593	32	0	17	17	68	2	1464
% Trucks	1.5	3.8	2.6	0.0	1.6	1.3	0.5	0.0	2.3	3.8	2.3	0.0	1.3	2.5	3.2	#DIV/0!	3.4
		3.7				1.3				3.5				2.4			