



MINNESOTA DEPT OF TRANSPORTATION

TRAFFIC DATA COLLECTION - METRO

Location: TH 7 @ CSAH 19/OAK ST 2006
 REF. PT.: 182+00.739
 JAMAR#D4-3364/CE
 TURN MOVEMENT COUNT

File Name : Not Named 1
 Site Code : 00000000
 Start Date : 10/11/2006
 Page No : 1

Groups Printed- CARS & TRUCKS

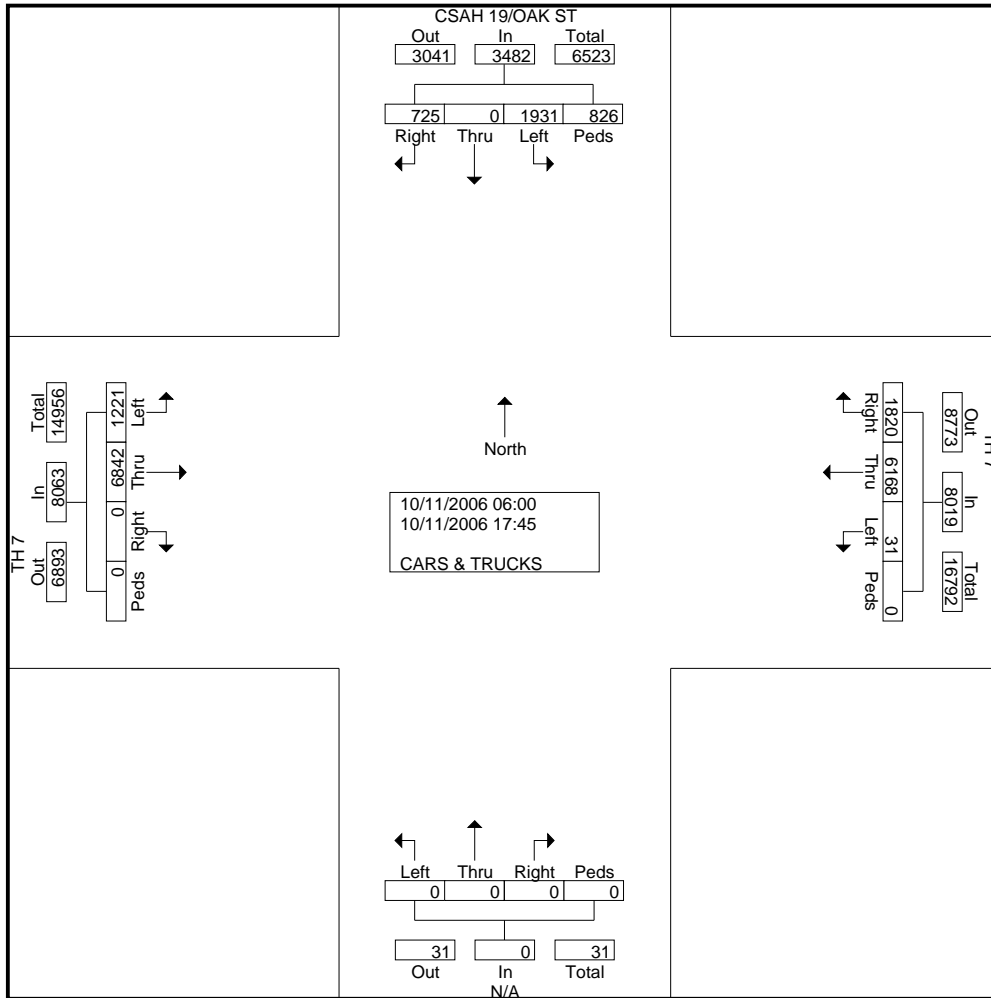
Start Time	CSAH 19/OAK ST Southbound				TH 7 Westbound				N/A Northbound				TH 7 Eastbound				Int. Total
	Left	Thru	Right	Peds	Left	Thru	Right	Peds	Left	Thru	Right	Peds	Left	Thru	Right	Peds	
06:00	35	0	4	5	0	74	10	0	0	0	0	0	6	247	0	0	381
06:15	37	0	4	10	0	107	13	0	0	0	0	0	11	299	0	0	481
06:30	82	0	13	18	0	93	36	0	0	0	0	0	21	394	0	0	657
06:45	106	0	16	31	0	103	38	0	0	0	0	0	44	446	0	0	784
Total	260	0	37	64	0	377	97	0	0	0	0	0	82	1386	0	0	2303
07:00	146	0	18	18	0	134	53	0	0	0	0	0	25	550	0	0	944
07:15	147	0	19	33	0	147	41	0	0	0	0	0	46	452	0	0	885
07:30	139	0	12	42	0	178	45	0	0	0	0	0	64	453	0	0	933
07:45	111	0	18	69	0	181	83	0	0	0	0	0	74	323	0	0	859
Total	543	0	67	162	0	640	222	0	0	0	0	0	209	1778	0	0	3621
08:00	75	0	12	22	0	151	65	0	0	0	0	0	33	303	0	0	661
08:15	68	0	15	56	0	120	39	0	0	0	0	0	81	307	0	0	686
08:30	95	0	11	36	4	130	36	0	0	0	0	0	46	249	0	0	607
08:45	63	0	14	53	0	138	55	0	0	0	0	0	69	236	0	0	628
Total	301	0	52	167	4	539	195	0	0	0	0	0	229	1095	0	0	2582
15:00	55	0	34	37	2	281	94	0	0	0	0	0	51	193	0	0	747
15:15	59	0	24	22	1	313	82	0	0	0	0	0	52	191	0	0	744
15:30	86	0	48	37	5	324	87	0	0	0	0	0	56	223	0	0	866
15:45	89	0	58	33	3	312	105	0	0	0	0	0	49	235	0	0	884
Total	289	0	164	129	11	1230	368	0	0	0	0	0	208	842	0	0	3241
16:00	63	0	47	37	3	382	118	0	0	0	0	0	68	211	0	0	929
16:15	69	0	60	41	1	384	96	0	0	0	0	0	58	189	0	0	898
16:30	74	0	77	40	0	394	145	0	0	0	0	0	64	233	0	0	1027
16:45	70	0	53	42	3	429	102	0	0	0	0	0	65	202	0	0	966
Total	276	0	237	160	7	1589	461	0	0	0	0	0	255	835	0	0	3820
17:00	66	0	42	49	2	433	106	0	0	0	0	0	68	230	0	0	996
17:15	78	0	30	37	3	461	125	0	0	0	0	0	55	260	0	0	1049
17:30	68	0	45	35	3	447	135	0	0	0	0	0	50	243	0	0	1026
17:45	50	0	51	23	1	452	111	0	0	0	0	0	65	173	0	0	926
Total	262	0	168	144	9	1793	477	0	0	0	0	0	238	906	0	0	3997
Grand Total	1931	0	725	826	31	6168	1820	0	0	0	0	0	1221	6842	0	0	19564
Apprch %	55.5	0	20.8	23.7	0.4	76.9	22.7	0	0	0	0	0	15.1	84.9	0	0	
Total %	9.9	0	3.7	4.2	0.2	31.5	9.3	0	0	0	0	0	6.2	35	0	0	



MINNESOTA DEPT OF TRANSPORTATION

TRAFFIC DATA COLLECTION - METRO

File Name : Not Named 1
 Site Code : 00000000
 Start Date : 10/11/2006
 Page No : 2



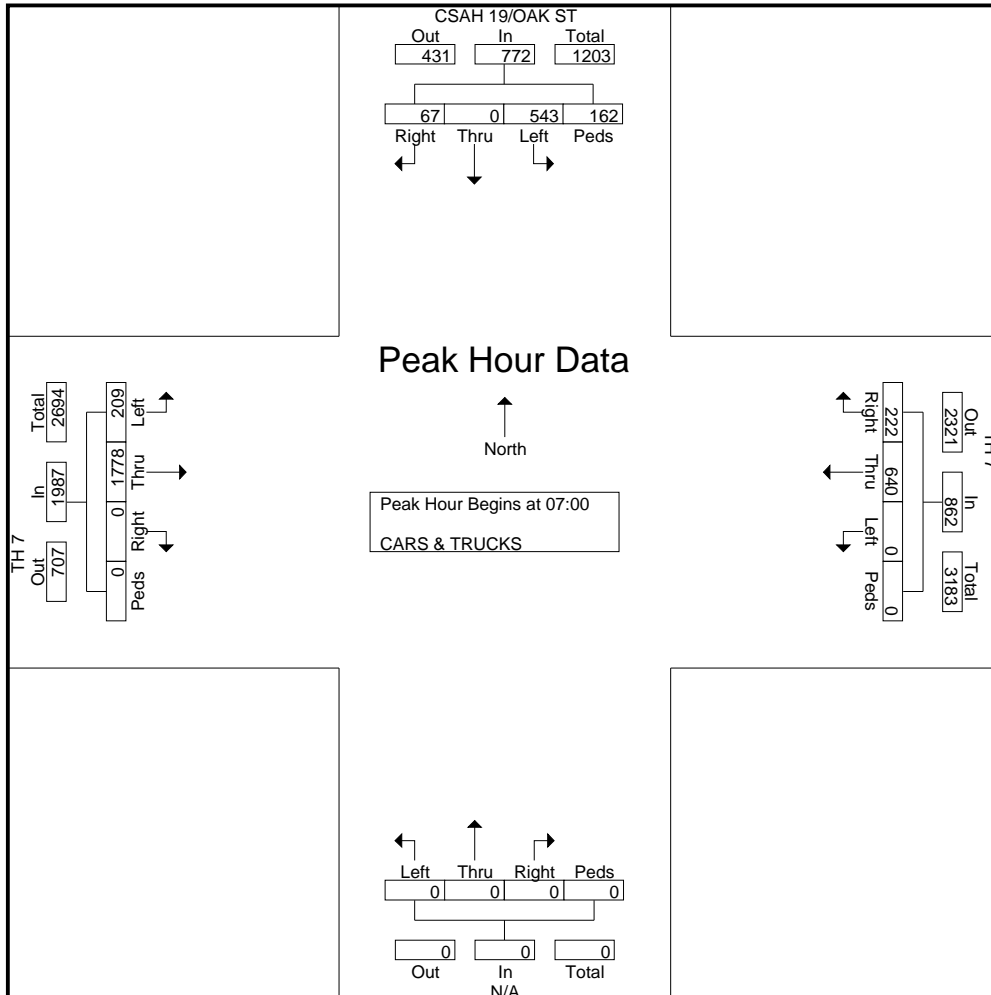


MINNESOTA DEPT OF TRANSPORTATION

TRAFFIC DATA COLLECTION - METRO

File Name : Not Named 1
 Site Code : 00000000
 Start Date : 10/11/2006
 Page No : 3

Start Time	CSAH 19/OAK ST Southbound					TH 7 Westbound					N/A Northbound					TH 7 Eastbound					Int. Total
	Left	Thru	Right	Peds	App. Total	Left	Thru	Right	Peds	App. Total	Left	Thru	Right	Peds	App. Total	Left	Thru	Right	Peds	App. Total	
Peak Hour Analysis From 06:00 to 12:00 - Peak 1 of 1																					
Peak Hour for Entire Intersection Begins at 07:00																					
07:00	146	0	18	18	182	0	134	53	0	187	0	0	0	0	0	25	550	0	0	575	944
07:15	147	0	19	33	199	0	147	41	0	188	0	0	0	0	0	46	452	0	0	498	885
07:30	139	0	12	42	193	0	178	45	0	223	0	0	0	0	0	64	453	0	0	517	933
07:45	111	0	18	69	198	0	181	83	0	264	0	0	0	0	0	74	323	0	0	397	859
Total Volume	543	0	67	162	772	0	640	222	0	862	0	0	0	0	0	209	1778	0	0	1987	3621
% App. Total	70.3	0	8.7	21		0	74.2	25.8	0		0	0	0	0		10.5	89.5	0	0		
PHF	.923	.000	.882	.587	.970	.000	.884	.669	.000	.816	.000	.000	.000	.000	.000	.706	.808	.000	.000	.864	.959





MINNESOTA DEPT OF TRANSPORTATION

TRAFFIC DATA COLLECTION - METRO

File Name : Not Named 1
 Site Code : 00000000
 Start Date : 10/11/2006
 Page No : 4

Start Time	CSAH 19/OAK ST Southbound					TH 7 Westbound					N/A Northbound					TH 7 Eastbound					Int. Total
	Left	Thru	Right	Peds	App. Total	Left	Thru	Right	Peds	App. Total	Left	Thru	Right	Peds	App. Total	Left	Thru	Right	Peds	App. Total	
Peak Hour Analysis From 12:15 to 17:45 - Peak 1 of 1																					
Peak Hour for Entire Intersection Begins at 16:30																					
16:30	74	0	77	40	191	0	394	145	0	539	0	0	0	0	0	64	233	0	0	297	1027
16:45	70	0	53	42	165	3	429	102	0	534	0	0	0	0	0	65	202	0	0	267	966
17:00	66	0	42	49	157	2	433	106	0	541	0	0	0	0	0	68	230	0	0	298	996
17:15	78	0	30	37	145	3	461	125	0	589	0	0	0	0	0	55	260	0	0	315	1049
Total Volume	288	0	202	168	658	8	1717	478	0	2203	0	0	0	0	0	252	925	0	0	1177	4038
% App. Total	43.8	0	30.7	25.5		0.4	77.9	21.7	0		0	0	0	0		21.4	78.6	0	0		
PHF	.923	.000	.656	.857	.861	.667	.931	.824	.000	.935	.000	.000	.000	.000	.000	.926	.889	.000	.000	.934	.962

