



MINNESOTA DEPT OF TRANSPORTATION

TRAFFIC DATA COLLECTION - METRO

TH-7 at Texas Ave. , St Louis Park
 ref.pt.: 192.486
 collected by: ALLIANT CONSULT.
 TURN MOVEMENT COUNT

File Name : TH-7 at Texas Ave 2007
 Site Code : 00000162
 Start Date : 12/11/2007
 Page No : 1

Groups Printed- Cars & Trucks

Start Time	Texas Ave Southbound				TH-7 Westbound				Texas Ave Northbound				TH-7 Eastbound				Int. Total
	Left	Thru	Right	Peds	Left	Thru	Right	Peds	Left	Thru	Right	Peds	Left	Thru	Right	Peds	
06:00	14	0	12	0	1	33	8	0	6	2	6	0	7	87	1	0	177
06:15	12	4	12	0	1	63	16	1	5	2	3	0	11	200	1	0	331
06:30	17	2	12	0	1	81	9	0	9	5	10	0	4	238	6	0	394
06:45	25	5	17	0	2	142	13	0	9	8	5	0	11	245	6	0	488
Total	68	11	53	0	5	319	46	1	29	17	24	0	33	770	14	0	1390
07:00	40	4	21	0	1	147	8	0	8	5	8	0	14	313	4	0	573
07:15	30	8	22	0	1	167	7	0	4	3	6	0	24	397	6	0	675
07:30	23	10	33	0	4	216	15	0	5	9	6	0	16	485	14	0	836
07:45	37	6	25	0	4	306	21	0	11	12	8	0	24	445	9	0	908
Total	130	28	101	0	10	836	51	0	28	29	28	0	78	1640	33	0	2992
08:00	34	7	26	0	3	202	16	0	10	8	11	0	23	367	7	0	714
08:15	34	3	16	0	2	200	23	0	6	5	9	0	17	363	9	0	687
08:30	28	8	30	0	6	199	20	0	8	8	12	0	12	336	7	0	674
08:45	19	6	15	0	14	185	17	0	8	8	12	0	20	300	7	0	611
Total	115	24	87	0	25	786	76	0	32	29	44	0	72	1366	30	0	2686
09:00	24	5	13	0	5	159	29	0	12	4	0	0	21	243	11	0	526
09:15	30	6	24	0	3	179	21	0	9	7	9	0	19	240	6	0	553
*** BREAK ***																	
Total	54	11	37	0	8	338	50	0	21	11	9	0	40	483	17	0	1079
*** BREAK ***																	
10:30	33	7	24	0	4	172	42	0	5	6	2	0	31	155	6	0	487
10:45	41	9	27	0	3	162	33	0	6	6	5	0	33	196	10	0	531
Total	74	16	51	0	7	334	75	0	11	12	7	0	64	351	16	0	1018
11:00	53	7	31	0	6	200	35	0	9	6	10	0	26	177	5	0	565
11:15	48	8	39	0	1	187	37	0	11	4	7	0	33	203	10	0	588
11:30	39	4	36	0	4	243	35	0	5	10	6	0	29	175	8	0	594
11:45	40	6	40	0	3	253	44	0	11	8	8	0	30	188	6	0	637
Total	180	25	146	0	14	883	151	0	36	28	31	0	118	743	29	0	2384
12:00	48	12	44	0	4	225	37	0	8	4	6	0	29	193	5	0	615
12:15	42	10	40	0	14	234	49	0	9	12	5	0	40	218	23	0	696
12:30	60	7	40	0	4	226	40	0	6	5	10	0	26	189	15	0	628
12:45	46	7	38	0	5	209	59	0	15	5	4	0	28	207	16	0	639
Total	196	36	162	0	27	894	185	0	38	26	25	0	123	807	59	0	2578
13:00	45	7	52	0	7	238	48	0	8	9	8	0	30	208	3	0	663
13:15	53	9	29	0	7	192	28	0	7	2	3	0	40	201	9	0	580
*** BREAK ***																	
Total	98	16	81	0	14	430	76	0	15	11	11	0	70	409	12	0	1243
*** BREAK ***																	
14:30	51	9	33	0	4	239	49	0	7	13	18	0	29	0	4	0	456
14:45	58	10	38	0	8	280	49	0	10	15	6	0	35	0	2	0	511
Total	109	19	71	0	12	519	98	0	17	28	24	0	64	0	6	0	967
15:00	39	5	31	0	7	284	55	0	8	8	6	0	38	264	10	0	755
15:15	58	15	37	1	7	327	51	0	10	14	11	0	53	240	3	0	827
15:30	58	17	45	0	7	302	47	0	23	12	6	0	44	276	5	0	842
15:45	48	16	41	0	10	345	52	0	14	11	5	0	39	290	6	0	877
Total	203	53	154	1	31	1258	205	0	55	45	28	0	174	1070	24	0	3301



MINNESOTA DEPT OF TRANSPORTATION

TRAFFIC DATA COLLECTION - METRO

TH-7 at Texas Ave. , St Louis Park
 ref.pt.: 192.486
 collected by: ALLIANT CONSULT.
 TURN MOVEMENT COUNT

File Name : TH-7 at Texas Ave 2007
 Site Code : 00000162
 Start Date : 12/11/2007
 Page No : 2

Groups Printed- Cars & Trucks

Start Time	Texas Ave Southbound				TH-7 Westbound				Texas Ave Northbound				TH-7 Eastbound				Int. Total
	Left	Thru	Right	Peds	Left	Thru	Right	Peds	Left	Thru	Right	Peds	Left	Thru	Right	Peds	
16:00	50	9	58	0	9	328	56	0	6	15	9	0	47	335	6	0	928
16:15	49	13	42	0	5	318	53	0	16	15	3	0	51	380	3	0	948
16:30	44	17	43	0	6	373	54	0	8	17	9	0	53	409	5	0	1038
16:45	49	14	42	0	9	394	44	0	19	12	8	0	44	442	5	0	1082
Total	192	53	185	0	29	1413	207	0	49	59	29	0	195	1566	19	0	3996
17:00	47	25	57	0	11	333	58	0	5	23	7	0	34	377	4	0	981
17:15	36	14	35	0	10	325	45	0	15	14	8	0	48	444	4	0	998
17:30	48	17	39	0	9	319	46	0	19	14	6	0	45	428	6	0	996
17:45	49	16	48	0	4	301	34	0	11	16	6	0	58	391	5	0	939
Total	180	72	179	0	34	1278	183	0	50	67	27	0	185	1640	19	0	3914
Grand Total	1599	364	1307	1	216	9288	1403	1	381	362	287	0	1216	10845	278	0	27548
Apprch %	48.9	11.1	40	0	2	85.1	12.9	0	37	35.1	27.9	0	9.9	87.9	2.3	0	
Total %	5.8	1.3	4.7	0	0.8	33.7	5.1	0	1.4	1.3	1	0	4.4	39.4	1	0	



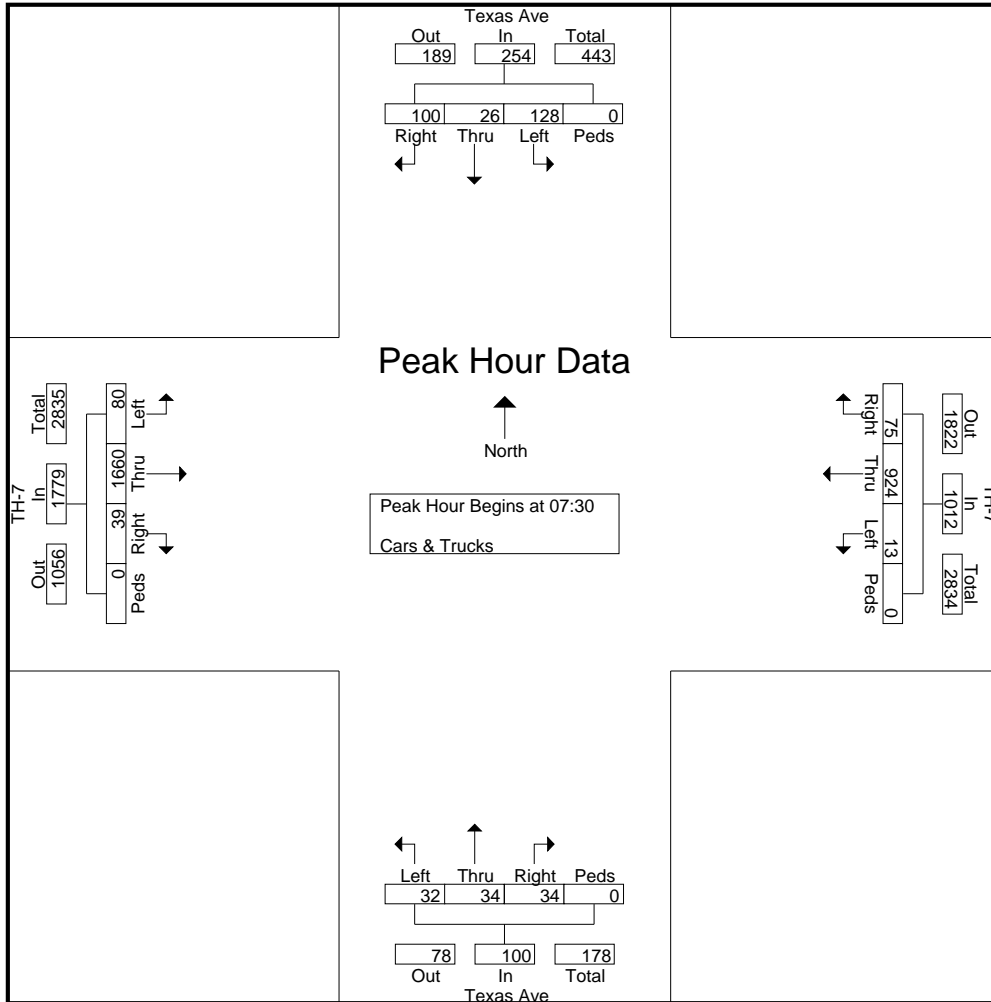
MINNESOTA DEPT OF TRANSPORTATION

TRAFFIC DATA COLLECTION - METRO

TH-7 at Texas Ave. , St Louis Park
 ref.pt.: 192.486
 collected by: ALLIANT CONSULT.
 TURN MOVEMENT COUNT

File Name : TH-7 at Texas Ave 2007
 Site Code : 00000162
 Start Date : 12/11/2007
 Page No : 3

Start Time	Texas Ave Southbound					TH-7 Westbound					Texas Ave Northbound					TH-7 Eastbound					Int. Total
	Left	Thru	Right	Peds	App. Total	Left	Thru	Right	Peds	App. Total	Left	Thru	Right	Peds	App. Total	Left	Thru	Right	Peds	App. Total	
Peak Hour Analysis From 06:00 to 09:15 - Peak 1 of 1																					
Peak Hour for Entire Intersection Begins at 07:30																					
07:30	23	10	33	0	66	4	216	15	0	235	5	9	6	0	20	16	485	14	0	515	836
07:45	37	6	25	0	68	4	306	21	0	331	11	12	8	0	31	24	445	9	0	478	908
08:00	34	7	26	0	67	3	202	16	0	221	10	8	11	0	29	23	367	7	0	397	714
08:15	34	3	16	0	53	2	200	23	0	225	6	5	9	0	20	17	363	9	0	389	687
Total Volume	128	26	100	0	254	13	924	75	0	1012	32	34	34	0	100	80	1660	39	0	1779	3145
% App. Total	50.4	10.2	39.4	0		1.3	91.3	7.4	0		3.2	3.4	3.4	0		4.5	93.3	2.2	0		
PHF	.865	.650	.758	.000	.934	.813	.755	.815	.000	.764	.727	.708	.773	.000	.806	.833	.856	.696	.000	.864	.866





MINNESOTA DEPT OF TRANSPORTATION

TRAFFIC DATA COLLECTION - METRO

TH-7 at Texas Ave. , St Louis Park
 ref.pt.: 192.486
 collected by: ALLIANT CONSULT.
 TURN MOVEMENT COUNT

File Name : TH-7 at Texas Ave 2007
 Site Code : 00000162
 Start Date : 12/11/2007
 Page No : 4

Start Time	Texas Ave Southbound					TH-7 Westbound					Texas Ave Northbound					TH-7 Eastbound					Int. Total
	Left	Thru	Right	Peds	App. Total	Left	Thru	Right	Peds	App. Total	Left	Thru	Right	Peds	App. Total	Left	Thru	Right	Peds	App. Total	
Peak Hour Analysis From 14:30 to 17:45 - Peak 1 of 1																					
Peak Hour for Entire Intersection Begins at 16:30																					
16:30	44	17	43	0	104	6	373	54	0	433	8	17	9	0	34	53	409	5	0	467	1038
16:45	49	14	42	0	105	9	394	44	0	447	19	12	8	0	39	44	442	5	0	491	1082
17:00	47	25	57	0	129	11	333	58	0	402	5	23	7	0	35	34	377	4	0	415	981
17:15	36	14	35	0	85	10	325	45	0	380	15	14	8	0	37	48	444	4	0	496	998
Total Volume	176	70	177	0	423	36	1425	201	0	1662	47	66	32	0	145	179	1672	18	0	1869	4099
% App. Total	41.6	16.5	41.8	0		2.2	85.7	12.1	0		32.4	45.5	22.1	0		9.6	89.5	1	0		
PHF	.898	.700	.776	.000	.820	.818	.904	.866	.000	.930	.618	.717	.889	.000	.929	.844	.941	.900	.000	.942	.947

