



MINNESOTA DEPT OF TRANSPORTATION

TRAFFIC DATA COLLECTION - METRO

TH 61 AT TH 97 NORTH JCT
 Ref.Pt.: 159.00.615
 JAMAR# 632 DR
 TURN MOVEMENT COUNT

File Name : Not Named 4
 Site Code : 00000000
 Start Date : 7/23/2008
 Page No : 1

Groups Printed- Unshifted

Start Time	TH 61 Southbound				TH 97 NORTH JCT Westbound				TH 61 Northbound				DRIVEWAY Eastbound				Int. Total
	Left	Thru	Right	Peds	Left	Thru	Right	Peds	Left	Thru	Right	Peds	Left	Thru	Right	Peds	
06:00	9	72	3	0	164	1	16	0	0	19	13	0	0	0	0	0	297
06:15	23	72	2	0	178	1	35	0	1	26	19	0	1	0	0	0	358
06:30	22	91	0	0	133	0	39	0	1	28	26	0	1	0	0	0	341
06:45	20	73	1	0	159	1	49	0	0	38	28	0	0	0	0	0	369
Total	74	308	6	0	634	3	139	0	2	111	86	0	2	0	0	0	1365
07:00	12	77	1	0	172	1	50	0	0	32	30	0	3	0	1	0	379
07:15	22	103	2	0	171	0	62	0	1	40	53	0	2	0	0	0	456
07:30	22	91	2	0	156	1	58	0	2	42	57	0	0	0	1	0	432
07:45	66	87	3	0	139	1	75	0	3	69	41	0	4	0	1	0	489
Total	122	358	8	0	638	3	245	0	6	183	181	0	9	0	3	0	1756
08:00	38	74	9	0	128	2	80	0	4	64	45	0	0	1	2	0	447
08:15	43	89	3	0	115	2	72	0	6	59	48	1	5	1	1	0	445
08:30	43	74	6	0	120	2	73	0	4	55	44	0	0	0	1	0	422
08:45	50	89	5	0	100	3	89	0	0	76	56	0	12	0	3	0	483
Total	174	326	23	0	463	9	314	0	14	254	193	1	17	2	7	0	1797
*** BREAK ***																	
15:00	67	86	5	0	41	4	66	0	4	131	78	0	5	4	3	0	494
15:15	75	111	6	0	53	1	52	0	5	133	94	0	4	0	11	0	545
15:30	88	103	3	0	69	2	65	0	6	137	106	1	4	1	1	0	586
15:45	81	110	6	0	73	2	66	0	8	175	111	0	10	0	6	0	648
Total	311	410	20	0	236	9	249	0	23	576	389	1	23	5	21	0	2273
16:00	73	102	5	0	70	2	71	0	6	158	150	0	6	3	4	0	650
16:15	92	97	1	0	64	0	93	0	7	166	156	0	6	2	3	0	687
16:30	83	104	6	0	65	3	65	0	3	198	170	0	9	1	5	0	712
16:45	102	115	5	0	74	1	92	0	2	191	170	0	11	2	0	0	765
Total	350	418	17	0	273	6	321	0	18	713	646	0	32	8	12	0	2814
17:00	127	133	3	0	70	1	69	0	6	176	140	0	8	1	1	0	735
17:15	104	119	5	0	75	1	108	0	2	181	205	0	14	4	1	0	819
17:30	93	128	0	0	52	0	112	1	2	163	166	0	3	1	1	0	722
17:45	104	109	0	0	49	3	76	0	7	161	156	0	12	1	1	0	679
Total	428	489	8	0	246	5	365	1	17	681	667	0	37	7	4	0	2955
Grand Total	1459	2309	82	0	2490	35	1633	1	80	2518	2162	2	120	22	47	0	12960
Apprch %	37.9	60	2.1	0	59.9	0.8	39.3	0	1.7	52.9	45.4	0	63.5	11.6	24.9	0	
Total %	11.3	17.8	0.6	0	19.2	0.3	12.6	0	0.6	19.4	16.7	0	0.9	0.2	0.4	0	



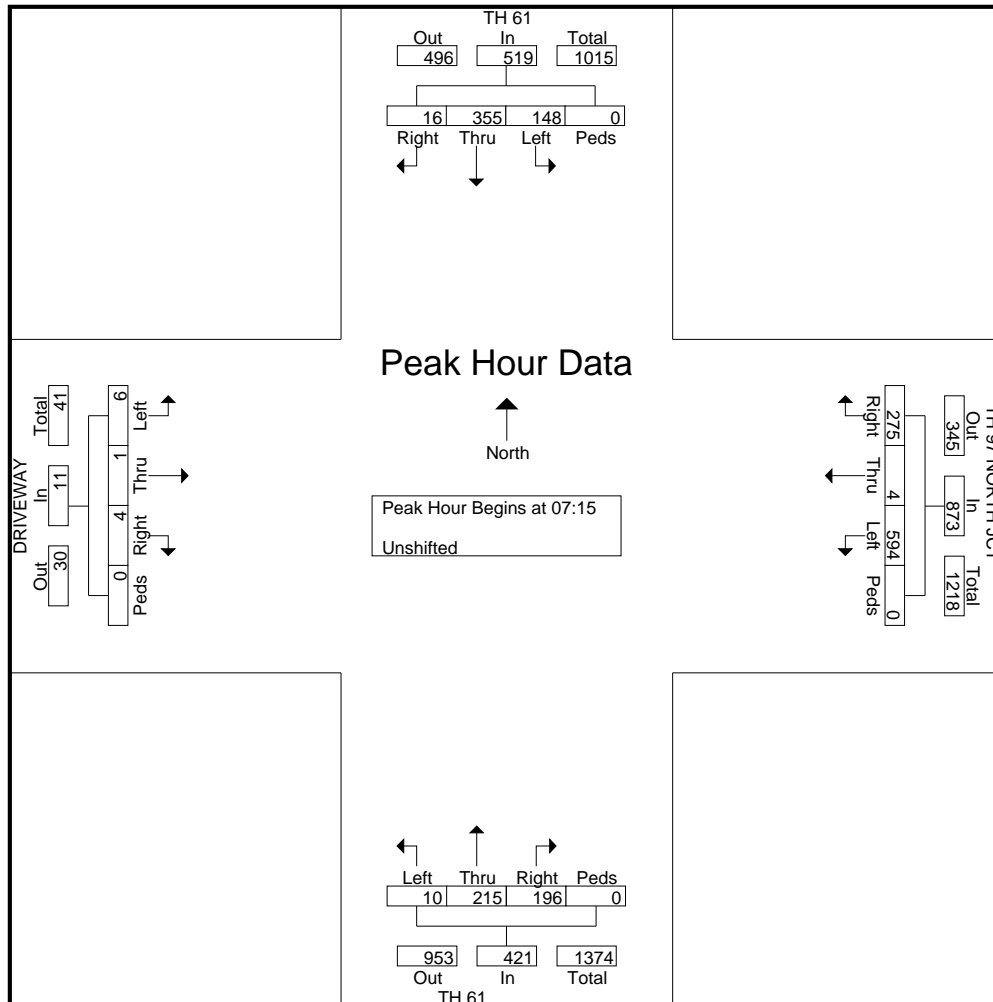
MINNESOTA DEPT OF TRANSPORTATION

TRAFFIC DATA COLLECTION - METRO

TH 61 AT TH 97 NORTH JCT
 Ref.Pt.: 159.00.615
 JAMAR# 632 DR
 TURN MOVEMENT COUNT

File Name : Not Named 4
 Site Code : 00000000
 Start Date : 7/23/2008
 Page No : 2

Start Time	TH 61 Southbound					TH 97 NORTH JCT Westbound					TH 61 Northbound					DRIVEWAY Eastbound					Int. Total
	Left	Thru	Right	Peds	App. Total	Left	Thru	Right	Peds	App. Total	Left	Thru	Right	Peds	App. Total	Left	Thru	Right	Peds	App. Total	
Peak Hour Analysis From 06:00 to 08:45 - Peak 1 of 1																					
Peak Hour for Entire Intersection Begins at 07:15																					
07:15	22	103	2	0	127	171	0	62	0	233	1	40	53	0	94	2	0	0	0	2	456
07:30	22	91	2	0	115	156	1	58	0	215	2	42	57	0	101	0	0	1	0	1	432
07:45	66	87	3	0	156	139	1	75	0	215	3	69	41	0	113	4	0	1	0	5	489
08:00	38	74	9	0	121	128	2	80	0	210	4	64	45	0	113	0	1	2	0	3	447
Total Volume	148	355	16	0	519	594	4	275	0	873	10	215	196	0	421	6	1	4	0	11	1824
% App. Total																					
PHF	.561	.862	.444	.000	.832	.868	.500	.859	.000	.937	.625	.779	.860	.000	.931	.375	.250	.500	.000	.550	.933





MINNESOTA DEPT OF TRANSPORTATION

TRAFFIC DATA COLLECTION - METRO

TH 61 AT TH 97 NORTH JCT
 Ref.Pt.: 159.00.615
 JAMAR# 632 DR
 TURN MOVEMENT COUNT

File Name : Not Named 4
 Site Code : 00000000
 Start Date : 7/23/2008
 Page No : 3

Start Time	TH 61 Southbound					TH 97 NORTH JCT Westbound					TH 61 Northbound					DRIVEWAY Eastbound					Int. Total
	Left	Thru	Right	Peds	App. Total	Left	Thru	Right	Peds	App. Total	Left	Thru	Right	Peds	App. Total	Left	Thru	Right	Peds	App. Total	
Peak Hour Analysis From 15:00 to 17:45 - Peak 1 of 1																					
Peak Hour for Entire Intersection Begins at 16:45																					
16:45	102	115	5	0	222	74	1	92	0	167	2	191	170	0	363	11	2	0	0	13	765
17:00	127	133	3	0	263	70	1	69	0	140	6	176	140	0	322	8	1	1	0	10	735
17:15	104	119	5	0	228	75	1	108	0	184	2	181	205	0	388	14	4	1	0	19	819
17:30	93	128	0	0	221	52	0	112	1	165	2	163	166	0	331	3	1	1	0	5	722
Total Volume	426	495	13	0	934	271	3	381	1	656	12	711	681	0	1404	36	8	3	0	47	3041
% App. Total																					
PHF	.839	.930	.650	.000	.888	.903	.750	.850	.250	.891	.500	.931	.830	.000	.905	.643	.500	.750	.000	.618	.928

